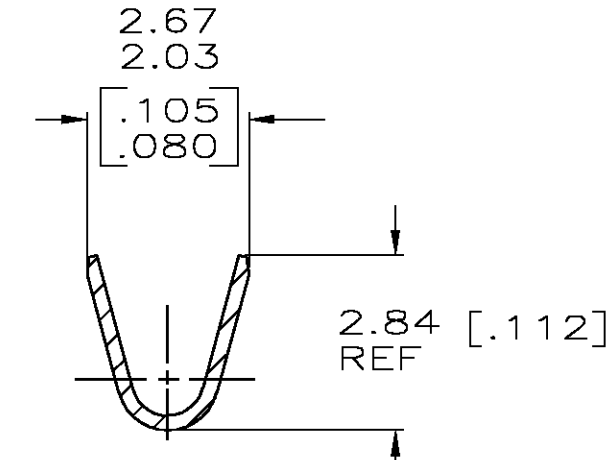
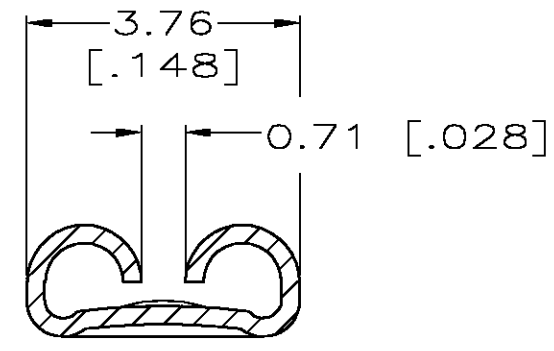
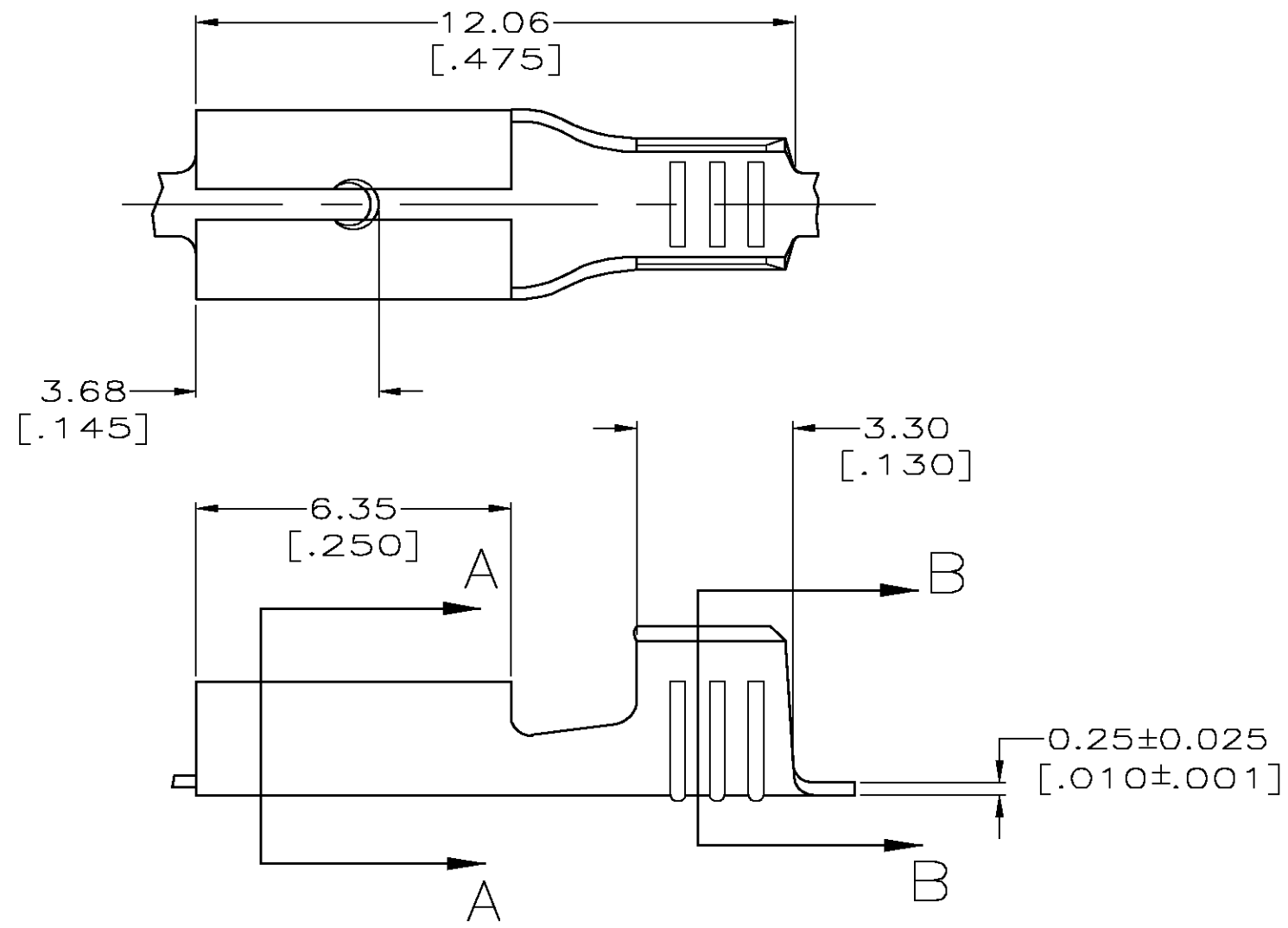


THIS DRAWING IS UNPUBLISHED. RELEASED FOR PUBLICATION
 © COPYRIGHT BY TYCO ELECTRONICS CORPORATION. ALL RIGHTS RESERVED.

LOC	DIST	REVISIONS				
P	LTR	DESCRIPTION	DATE	DWN	APVD	
AF	50					
		REV PER 0G3A-0119-03	27MAY03	JR	PD	

- 1 CONTINUOUS STRIP ON REELS.
- 2 ACCEPTS WIRE SIZES [#20-#18 OR TWO #20'S.]
- 3 MATES WITH A 0.41±0.025 [.016±.001] THK TAB.
- 4 FEED IS 13.59±0.13 [.535±.005].



60967-1
PART NO

THIS DRAWING IS A CONTROLLED DOCUMENT.		DWN	JR RUTH	3/14/96	Tyco Electronics Corporation Harrisburg, PA 17105
DIMENSIONS: INCHES		CHK	P FORTNEY	3/14/96	
		APVD	D BRATINA	3/14/96	
TOLERANCES UNLESS OTHERWISE SPECIFIED:		PRODUCT SPEC		NAME	
0 PLC ± - 1 PLC ± - 2 PLC ± 0.38 [.015] 3 PLC ± - 4 PLC ± - ANGLES ± -		APPLICATION SPEC		RECEPTACLE, FASTON, 2.79 [.110] SERIES	
MATERIAL: H04 BRASS		FINISH: PRE-TIN		114-2036	
		WEIGHT: -		SIZE: A3	
		CUSTOMER DRAWING		CAGE CODE: 00779	
				DRAWING NO: 60967	
				RESTRICTED TO: -	
				SCALE: 8:1	
				SHEET: 1 OF 1	
				REV: E	