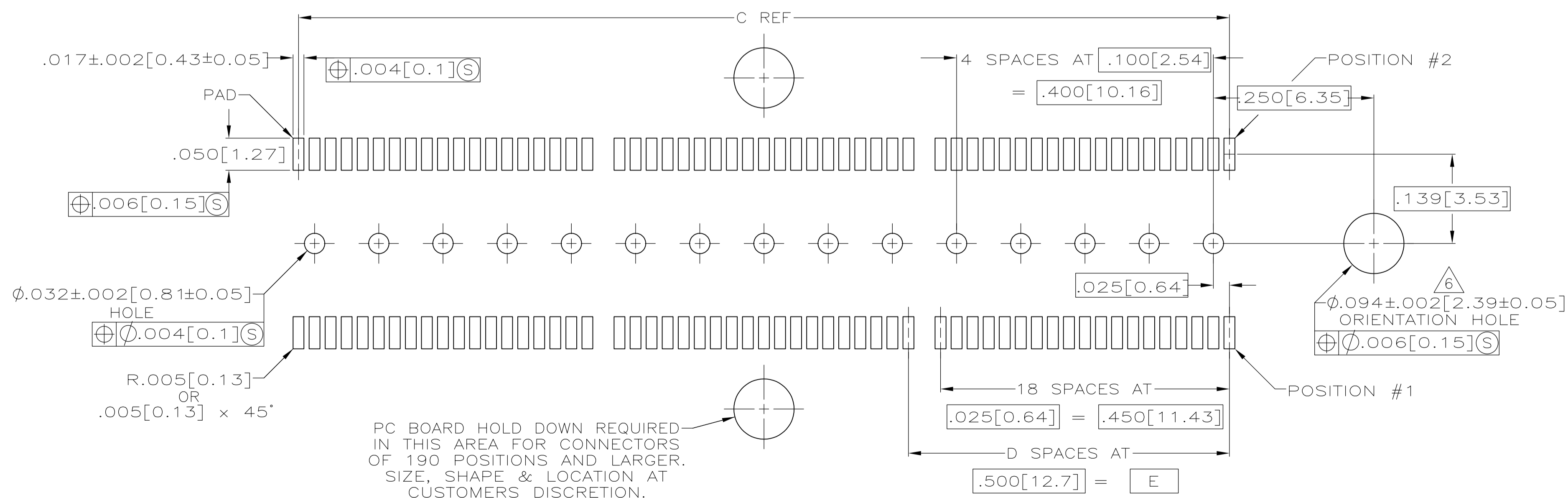
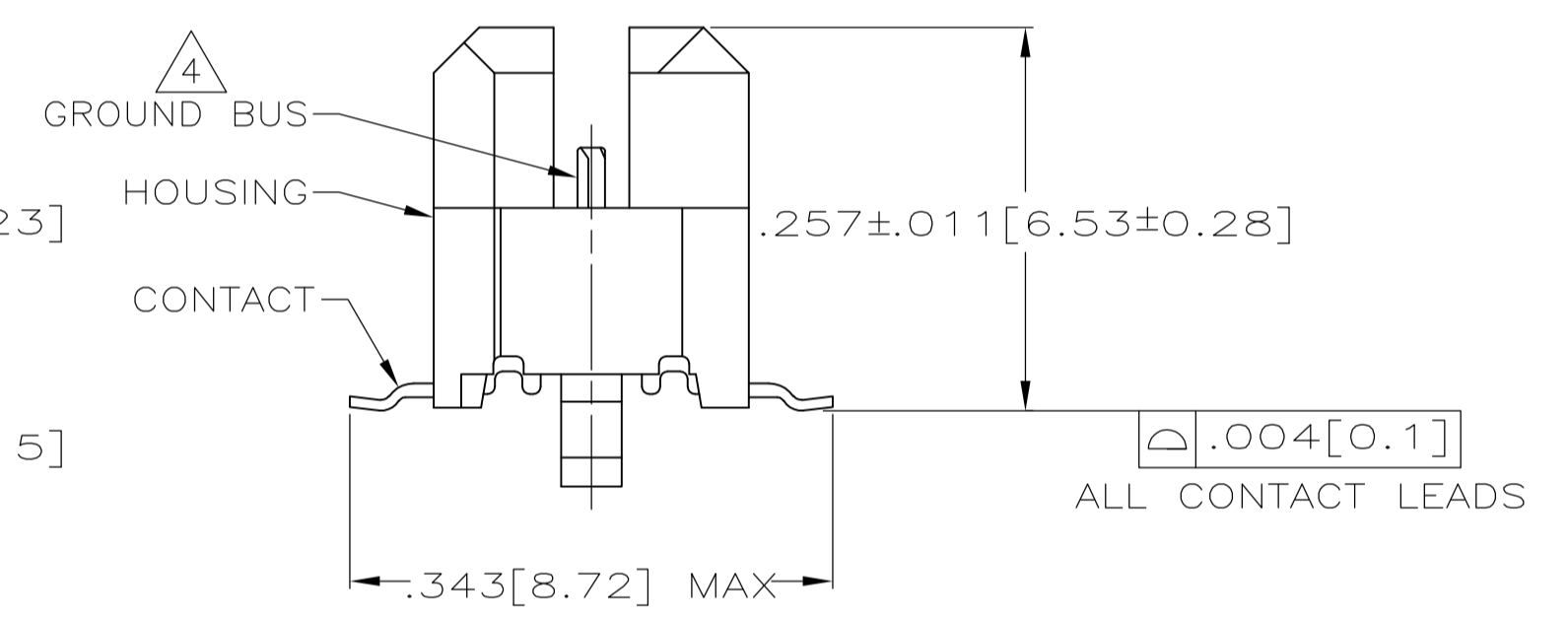
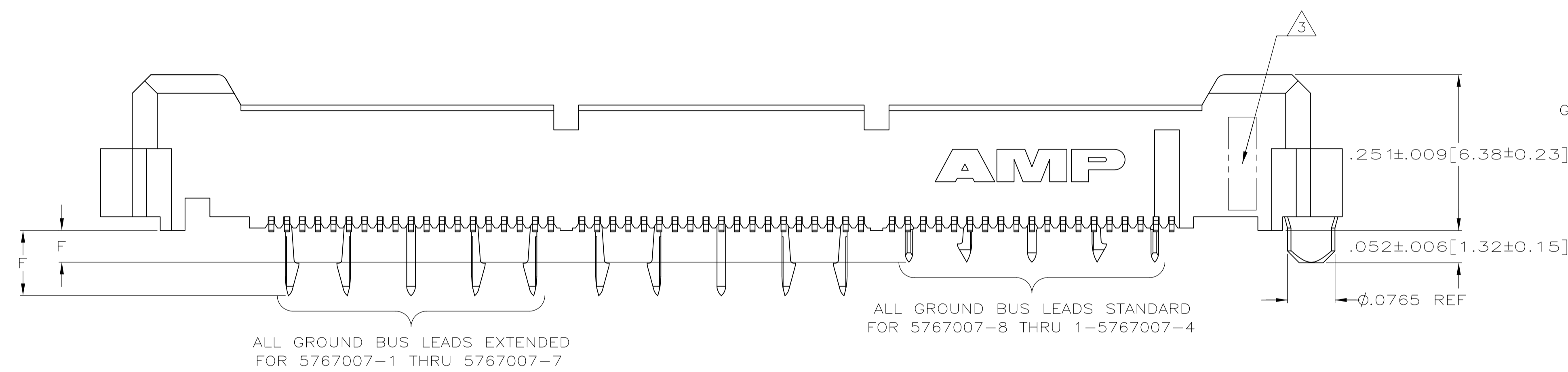


- 1 HOUSING: LIQUID CRYSTAL POLYMER, COLOR BLACK.  
CONTACTS: HIGH RELIABILITY COPPER ALLOY.  
GROUND BUSSES: BRASS, UNS C26000
- 2 CONTACTS & GROUND BUSES: NICKEL UNDERPLATE ALL OVER, MATING SURFACE PLATED TO MEET LEVEL 1 PERFORMANCE REQUIREMENTS OF TE PRODUCT SPECIFICATION 108-1422, SOLDER TAILS PLATED MATTE TIN.
- 3 DATE CODE MARKED IN AREA INDICATED ON SAME SIDE AS POSITION #1.
- 4 ONE GROUND BUS WITH 5 TAILS PER EACH MODULE.
- 5 TOLERANCE NON-ACCUMULATIVE.
- 6 FOR SLIP-FIT APPLICATIONS, ORIENTATION HOLE TO BE  $\phi .079 \pm .001 [2.00 \pm 0.03]$ .



PC BOARD HOLD DOWN REQUIRED IN THIS AREA FOR CONNECTORS OF 190 POSITIONS AND LARGER. SIZE, SHAPE & LOCATION AT CUSTOMERS DISCRETION.

RECOMMENDED PC BOARD LAYOUT (VIEWED FROM CONNECTOR SIDE)

STANDARD	.053 [1.35]	3,000 [76.2]	6	3,450 [87.63]	3,898 [99]	4,000 [101.6]	266	1-5767007-4	
STANDARD	.053 [1.35]	2,500 [63.5]	5	2,950 [74.93]	3,398 [86.31]	3,500 [88.9]	228	1-5767007-3	
STANDARD	.053 [1.35]	2,000 [50.8]	4	2,450 [62.23]	2,898 [73.61]	3,000 [76.2]	190	1-5767007-2	
STANDARD	.053 [1.35]	1,500 [38.1]	3	1,950 [49.53]	2,398 [60.91]	2,500 [63.5]	152	1-5767007-1	
STANDARD	.053 [1.35]	1,000 [25.4]	2	1,450 [36.83]	1,898 [48.21]	2,000 [50.8]	114	1-5767007-0	
STANDARD	.053 [1.35]	.500 [12.7]	1	.950 [24.13]	1,398 [35.51]	1,500 [38.1]	76	5767007-9	
STANDARD	.053 [1.35]	.000 [0]	0	.450 [11.43]	.898 [22.81]	1,000 [25.4]	38	5767007-8	
OBsolete	EXTENDED	.107 [2.72]	3,000 [76.2]	6	3,450 [87.63]	3,898 [99]	4,000 [101.6]	266	5767007-7
OBsolete	EXTENDED	.107 [2.72]	2,500 [63.5]	5	2,950 [74.93]	3,398 [86.31]	3,500 [88.9]	228	5767007-6
OBsolete	EXTENDED	.107 [2.72]	2,000 [50.8]	4	2,450 [62.23]	2,898 [73.61]	3,000 [76.2]	190	5767007-5
OBsolete	EXTENDED	.107 [2.72]	1,500 [38.1]	3	1,950 [49.53]	2,398 [60.91]	2,500 [63.5]	152	5767007-4
OBsolete	EXTENDED	.107 [2.72]	1,000 [25.4]	2	1,450 [36.83]	1,898 [48.21]	2,000 [50.8]	114	5767007-3
OBsolete	EXTENDED	.107 [2.72]	.500 [12.7]	1	.950 [24.13]	1,398 [35.51]	1,500 [38.1]	76	5767007-2
OBsolete	EXTENDED	.107 [2.72]	.000 [0]	0	.450 [11.43]	.898 [22.81]	1,000 [25.4]	38	5767007-1
BUS LEADS TYPE	F	E	D	C	B	A	NO OF POS	PART NUMBER	

THIS DRAWING IS A CONTROLLED DOCUMENT.

DIMENSIONS: mm [INCHES]	TOLERANCES UNLESS OTHERWISE SPECIFIED:	DIN G. ATTADIA 25 OCT 04	APVD D. DIXON 25 OCT 04	NAME
0 PLC ± -	1 PLC ± -	2 PLC ± -	3 PLC ± .005(0.13)	4 PLC ± -
ANGLES ± -				
MATERIAL	FINISH	WEIGHT	SCALE	SHEET
1	2	A1	8:1	1 of 1

CUSTOMER DRAWING  
 00779  
 5767007  
 TE Connectivity  
 PLUG ASSEMBLY, .260[6.6] VERTICAL, .025[0.64]CL, GULL WING LEADS, MICTOR  
 108-1422  
 114-11004  
 00779  
 5767007  
 8:1  
 1 of 1  
 REV A2