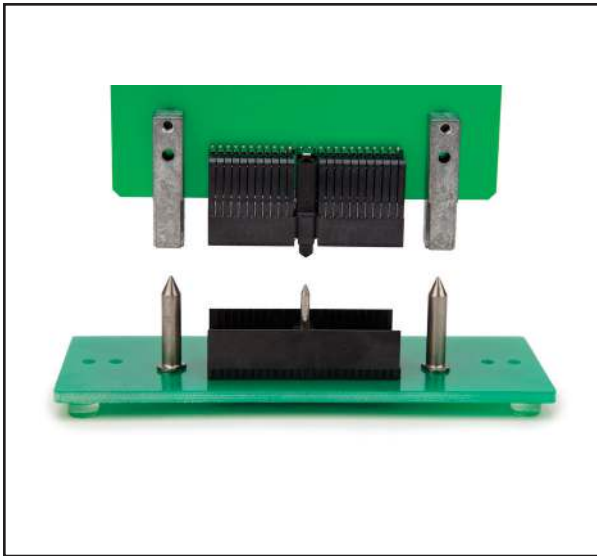


3M™ HSHM Guide Pin and Guide Socket

Hardware

HSHM Series



- Robust metal guide pin and guide socket
- Compatible with CompactPCI®, HM, HSHM, and UHM backplane systems
- Equipped with Loctite DRI-LOC 204
- Guide pin threads equipped with Loctite DRI-LOC 204
- Lead free

Date Modified: November 4, 2013

TS-2095-C
Sheet 1 of 4

Physical

Material: Guide Pin - Stainless Steel
Guide Socket- Zinc Alloy

Electrical

Not Applicable

Environmental

Not Applicable

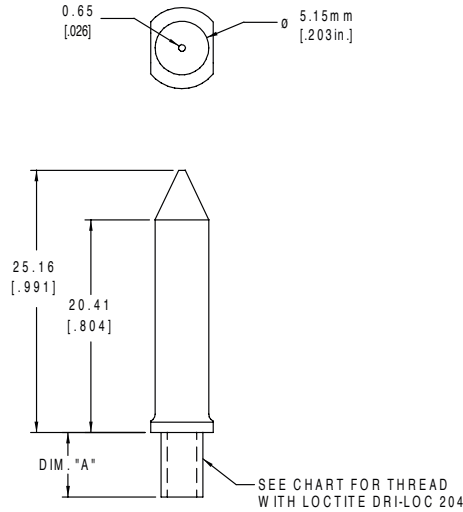
Loctite is a trademark of Henkel Corporation.
MetPak and HSHM in design are trademarks of 3M Company.

3M™ HSHM Guide Pin and Guide Socket

Hardware

HSHM Series

Guide Pin Drawing



| mm [Inch] | |
|------------------------|-------|
| Tolerance Unless Noted | |
| mm | ±.05 |
| Inch | ±.002 |

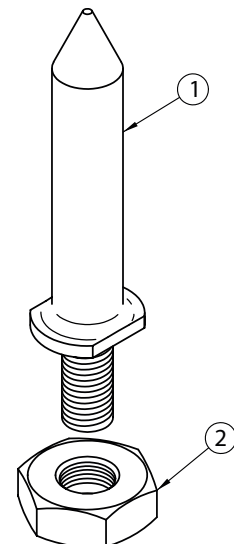
[] Dimensions for Reference Only

GUIDE PIN

| DESCRIPTION/ PART NUMBER | DIMENSION "A" | THREAD | GUIDE PIN PART No. |
|-----------------------------|---------------|-------------|--------------------|
| HSHM-GUIDE-PIN-1 | 6.2 [.244] | M4-.7-6G | 15-0303-2871-8 |
| HSHM-GUIDE-PIN-2 | 7.5 [.295] | M4-.7-6G | 15-0303-6801-1 |
| HSHM-GUIDE-PIN-3 | 9.2 [.362] | M4-.7-6G | 15-0303-6811-0 |
| HSHM-GUIDE-PIN-4 | 12.7 [.500] | 8-32 UNC-2A | 15-0303-6821-9 |
| HSHM-GUIDE-PIN-5 | 12.7 [.500] | M4-.7-6G | 15-0303-6831-8 |
| HSHM-GUIDE-PIN-6 | 15.0 [.591] | M4-.7-6G | 15-0000-0838-1 |

GUIDE PIN KITS

| KIT DESCRIPTION/ PART NUMBER | KIT PART No. | ITEM # | ITEM DESCRIPTION | ITEM PART No. |
|---------------------------------|----------------|--------|------------------|----------------|
| HSHM-GUIDE-PIN-1-KIT | 70-0100-2444-9 | | | |
| | | 1 | HSHM-GUIDE-PIN-1 | 15-0303-2871-8 |
| | | 2 | NUT-M4 | 15-0420-1590-7 |
| HSHM-GUIDE-PIN-2-KIT | 70-0100-2445-6 | | | |
| | | 1 | HSHM-GUIDE-PIN-2 | 15-0303-6801-1 |
| | | 2 | NUT-M4 | 15-0420-1590-7 |
| HSHM-GUIDE-PIN-3-KIT | 70-0100-2446-4 | | | |
| | | 1 | HSHM-GUIDE-PIN-3 | 15-0303-6811-0 |
| | | 2 | NUT-M4 | 15-0420-1590-7 |
| HSHM-GUIDE-PIN-4-KIT | 70-0100-2447-2 | | | |
| | | 1 | HSHM-GUIDE-PIN-4 | 15-0303-6821-9 |
| | | 2 | NUT 8-32 UNC-2B | 26-1021-0167-7 |
| HSHM-GUIDE-PIN-5-KIT | 15-0209-9770-4 | | | |
| | | 1 | HSHM-GUIDE-PIN-5 | 15-0303-6831-8 |
| | | 2 | NUT-M4 | 15-0420-1590-7 |
| HSHM-GUIDE-PIN-6-KIT | 70-0100-2448-0 | | | |
| | | 1 | HSHM-GUIDE-PIN-6 | 15-0000-0838-1 |
| | | 2 | NUT-M4 | 15-0420-1590-7 |



TS-2095-C
Sheet 2 of 4

3M

Electronic Solutions Division
Interconnect Solutions
<http://www.3Mconnectors.com>

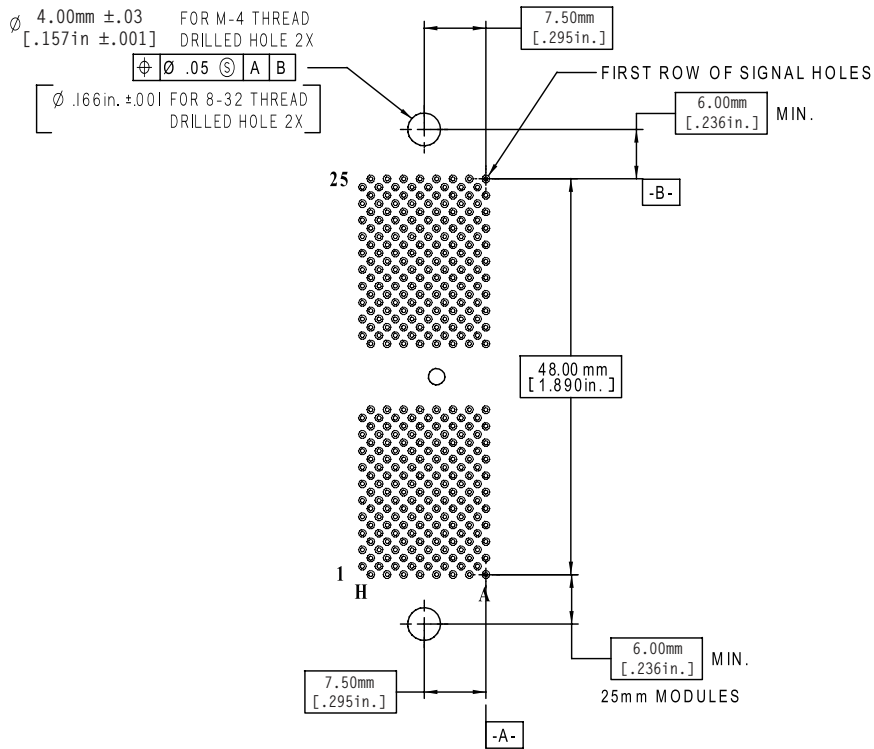
3M is a trademark of 3M Company.
For technical, sales or ordering information call
800-225-5373

3M™ HSHM Guide Pin and Guide Socket

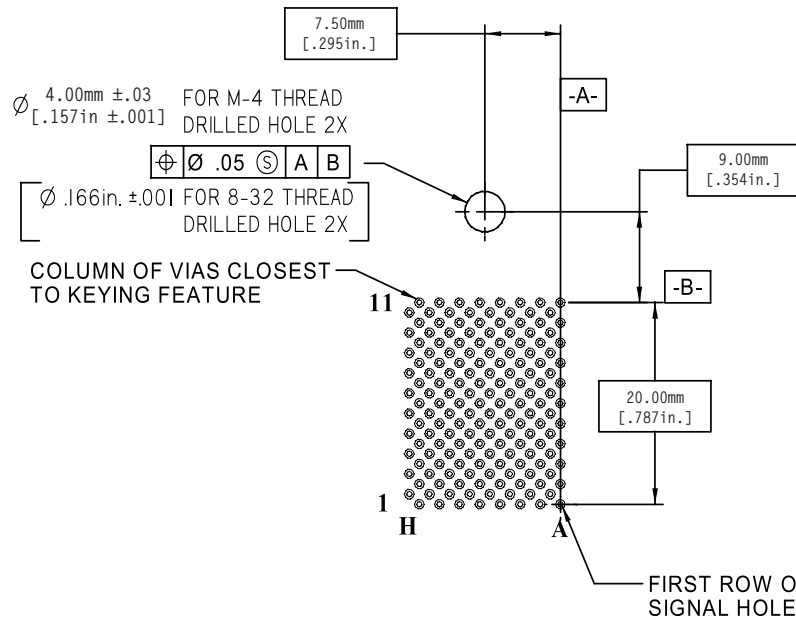
Hardware

HSHM Series

Guide Pin PCB Hole Layout



RECOMMENDED PCB HOLE MOUNTING PATTERN
(REFERENCED TO A 50 mm HSHM CONNECTOR FOOTPRINT)



RECOMMENDED PCB HOLE MOUNTING PATTERN
(REFERENCED TO A 25 mm HSHM CONNECTOR FOOTPRINT)

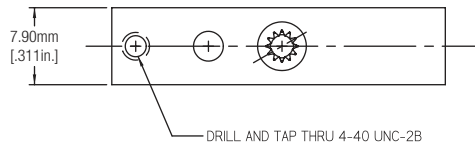
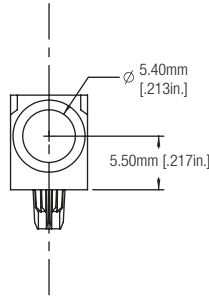
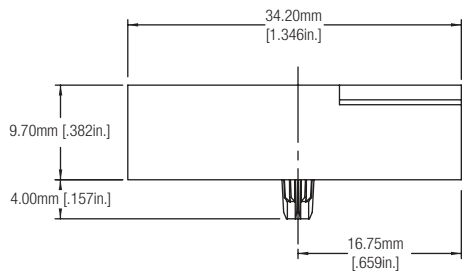
TS-2095-C
Sheet 3 of 4

3M™ HSHM Guide Pin and Guide Socket

Hardware

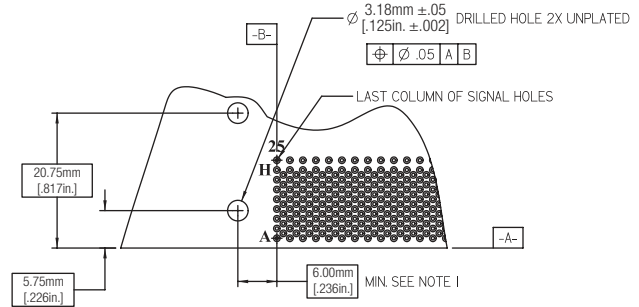
HSHM Series

Guide Socket and PCB Hole Layout



NOTES;

I. THIS DIMENSION IS VARIABLE FOR VALUES GREATER THAN 6mm AND MUST BE EQUAL TO THE OFFSET USED FOR THE PIN.



RECOMMENDED PCB HOLE MOUNTING PATTERN
(REFERENCED TO A TYPICAL HSHM CONNECTOR FOOTPRINT)

GUIDE SOCKET

| DESCRIPTION/ PART NUMBER | THREAD | GUIDE SOCKET PART No. |
|-----------------------------|-------------|--------------------------|
| HSHM-GUIDE-SOCKET-1 | 4-40 UNC-2B | 15-0303-2861-9 |