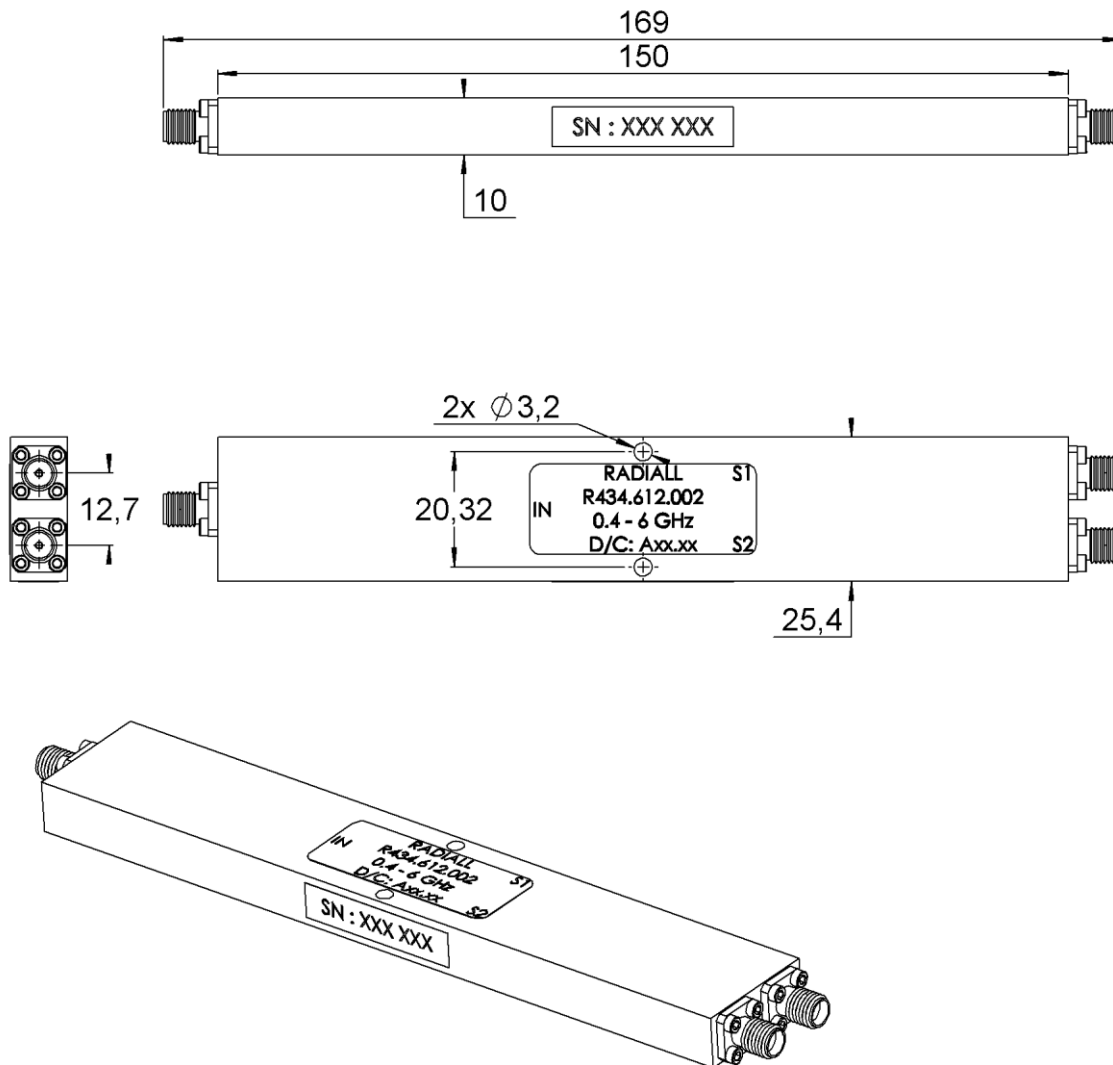


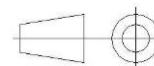
PAGE 1/2	ISSUE 26-10-17A	SERIES <b>SPLITTER</b>	PART NUMBER <b>R434612002</b>
----------	-----------------	---------------------------	-------------------------------

SCALE 3 : 4



All dimensions are in mm. Tolerances according ISO 2768 m-H

Weight **106,0000** g  
Specification



PAGE 2/2	ISSUE 26-10-17A	SERIES <b>SPLITTER</b>	PART NUMBER <b>R434612002</b>
----------	-----------------	---------------------------	-------------------------------

### ELECTICAL CHARACTERISTICS

Frequency range :	0.4 - 6 GHz
Number of ways	2
Phase	0°
VSWR	
Input	1.4
Output	1.4
Impedance	50 Ohms
Insertion loss	1.2 dB max
Isolation	17 dB mini
Amplitude balance	± 0.3 dB
Phase Balance	± 5°
Average Power	
VSWR load < 1.2	30W
VSWR load : inf	1W

### MECHANICAL CHARACTERISTICS

Connectors :	
Input	SMA female
Output	SMA female
Body	Aluminium
Finish	Blue Paint

### ENVIRONMENTAL CHARACTERISTICS

Operating temperature	-40 / +85 °C
Storage temperature	-55 / +125 °C