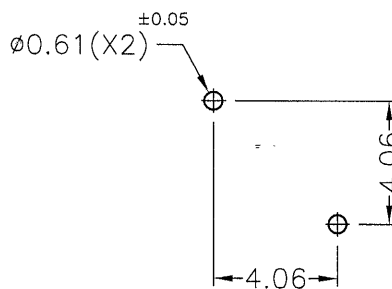
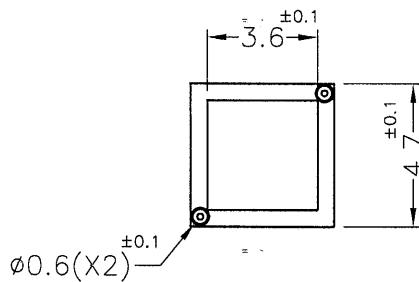
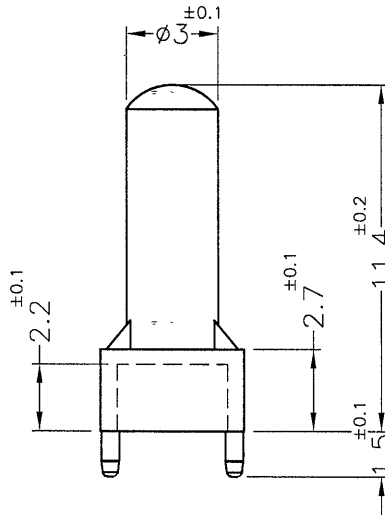




REVISIONS			
REV	DESCRIPTION	DATE	BY



MOUNTING HOLE

NOTE:MADE OF EQUIVALENT MATERIAL.  
均可使用同等材質.

 <p>康揚企業股份有限公司 KANG YANG HARDWARE ENTERPRISE CO., LTD. 康揚塑膠(東莞)有限公司 KANG YANG PLASTIC(DONG GUAN) CO., LTD. 康哲電腦配件(吳江)有限公司 KANG CHE COMPUTER COMPONENTS(WUJIANG) CO., LTD.</p>				TITLE	LIGHT PIPE	SPEC. DWG.	
				MATERIAL	PC UL94V-0	DATE	2018.08.27
				FINISH		DRAWN	C. S. L
PART NUMBER	PL1-11.4V0	DRAWING NUMBER	PL1-11.4	COLOR	TRANSPARENT	CHECK	
SIZE	A4	SCALE	4:1	UNIT	mm	REV	A
				UNLESS OTHERWISE SPECIFIED TOLERANCE	SEE ABOVE	APPROVED	