

# XCKN2549P20

Limit switch, Limit switches XC Standard, XCKN, plastic roller lever Ø 50 var.length, 1NC +1 NO, slow, M20



## Main

|                               |   |
|-------------------------------|---|
| Range of Product              | Telemecanique Limit switches XC Standard  |
| Series name                   | Standard format   |
| Product or Component Type     | Limit switch  |
| Device short name             | XCKN  |
| Sensor design                 | Compact   |
| Body type                     | Fixed   |
| Head type                     | Rotary head   |
| Material                      | Plastic   |
| Body Material                 | Plastic   |
| Head material                 | Plastic   |
| Fixing Mode                   | By the body   |
| Movement of operating head    | Rotary  |
| Type of operator              | Spring return roller lever thermoplastic variable length, roller diameter 50 mm |
| Type of approach              | Lateral approach, 2 directions  |
| Cable entry                   | 1 entry tapped for M20 x 1.5 cable gland 0.28... 0.51 in (7...13 mm)            |
| Number of poles               | 2   |
| Contacts type and composition | 1 NC + 1 NO   |
| Contact operation             | Slow-break, break before make   |

## Complementary

|  |   |
|--|---|
| Switch actuation                       | By 30° cam  |
| Electrical connection                  | Screw-clamp terminals 1 x 0.5...2 x 2.5 mm <sup>2</sup>   |
| Contacts insulation form               | Zb  |
| Positive opening                       | With  |
| Minimum torque for tripping            | 0.89 lbf.in (0.1 N.m)   |
| Maximum actuation speed                | 4.92 ft/s (1.5 m/s)   |
| Contact code designation               | A300, AC-15 (Ue = 240 V), Ie = 3 A 10 A EN/IEC 60947-5-1 appendix A<br>R300, DC-13 (Ue = 250 V), Ie = 0.1 A EN/IEC 60947-5-1 appendix A   |
| [Ui] rated insulation voltage          | 300 VUL 508<br>500 V 3)IEC 60947-1<br>300 VCSA C22.2 No 14  |
| [Uimp] rated impulse withstand voltage | 6 kV IEC 60664<br>6 kV IEC 60947-1  |
| Short-circuit protection               | 10 A cartridge fuse gG  |
| Electrical durability                  | 5000000 Cycles, DC-13, 120 V, 4 W 60 cyc/mn 0.5 IEC 60947-5-1 appendix C<br>5000000 Cycles, DC-13, 24 V, 10 W 60 cyc/mn 0.5 IEC 60947-5-1 appendix C<br>5000000 cycles, DC-13, 48 V, 7 W 60 cyc/mn 0.5 IEC 60947-5-1 appendix C |
| Mechanical durability                  | 10000000 cycles   |
| Width                                  | 1.18 in (30 mm)   |
| Height                                 | 5.24...6.81 in (133...173 mm)   |
| Depth                                  | 1.89 in (48 mm)   |
| Net Weight                             | 0.44 lb(US) (0.2 kg)  |
| Terminals description ISO n°1          | (21-22)NC<br>(13-14)NO  |

## Environment

|                                       |   |
|---------------------------------------|---|
| Shock resistance                      | 15 gn 11 ms IEC 60068-2-27  |
| Vibration resistance                  | 25 gn 10...500 Hz)IEC 60068-2-6   |
| IP degree of protection               | IP65 conforming to IEC 60529  |
| IK degree of protection               | IK04 EN 50102   |
| Overvoltage category                  | Class II IEC 61140<br>Class II NF C 20-030  |
| Ambient Air Temperature for Operation | -13...158 °F (-25...70 °C)  |
| Ambient Air Temperature for Storage   | -40...158 °F (-40...70 °C)  |
| Protective treatment                  | TC  |
| Product Certifications                | UL<br>CCC<br>CSA  |
| Standards                             | EN 60947-5-1<br>CSA C22.2 No 14<br>IEC 60947-5-1<br>UL 508<br>IEC 60204-1<br>EN 60204-1 |

## Ordering and shipping details

|                       |                               |
|-----------------------|-------------------------------|
| Category              | 22435-LIMIT SWITCHES,TYPE XCM |
| Discount Schedule     | T                             |
| GTIN                  | 3389110546705                 |
| Nbr. of units in pkg. | 1                             |
| Package weight(Lbs)   | 3.88 oz (110.0 g)             |
| Returnability         | No                            |
| Country of origin     | ID                            |

## Packing Units

|                              |                         |
|------------------------------|-------------------------|
| Unit Type of Package 1       | PCE                     |
| Package 1 Height             | 4.33 in (11 cm)         |
| Package 1 width              | 6.30 in (16 cm)         |
| Package 1 Length             | 12.20 in (31 cm)        |
| Unit Type of Package 2       | BB1                     |
| Number of Units in Package 2 | 20                      |
| Package 2 Weight             | 4.87 lb(US) (2.21 kg)   |
| Package 2 Height             | 4.33 in (11 cm)         |
| Package 2 width              | 6.30 in (16 cm)         |
| Package 2 Length             | 12.20 in (31 cm)        |
| Unit Type of Package 3       | S03                     |
| Number of Units in Package 3 | 60                      |
| Package 3 Weight             | 16.25 lb(US) (7.371 kg) |
| Package 3 Height             | 11.81 in (30 cm)        |
| Package 3 width              | 11.81 in (30 cm)        |
| Package 3 Length             | 15.75 in (40 cm)        |

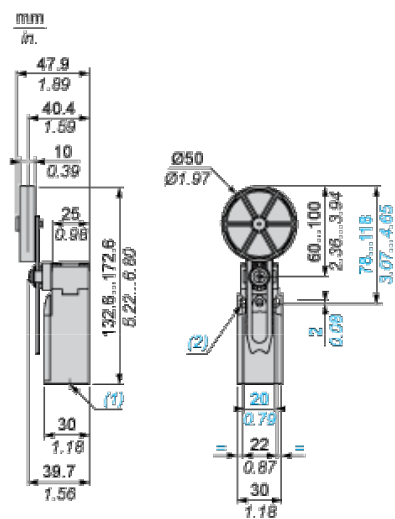
## Offer Sustainability

|                            |   |
|----------------------------|---|
| Sustainable offer status   | Green Premium product   |
| California proposition 65  | WARNING: This product can expose you to chemicals including: Diisononyl phthalate (DINP), which is known to the State of California to cause cancer, and Di-isodecyl phthalate (DIDP), which is known to the State of California to cause birth defects or other reproductive harm. For more information go to <a href="http://www.P65Warnings.ca.gov">www.P65Warnings.ca.gov</a> |
| REACH Regulation           | <a href="#">REACH Declaration</a>   |
| EU RoHS Directive          | Pro-active compliance (Product out of EU RoHS legal scope) <a href="#">EU RoHS Declaration</a>  |
| Mercury free               | Yes   |
| RoHS exemption information | <a href="#">Yes</a>   |
| Environmental Disclosure   | <a href="#">Product Environmental Profile</a>   |

## Contractual warranty

|          |           |
|----------|-----------|
| Warranty | 18 months |
|----------|-----------|

Dimensions



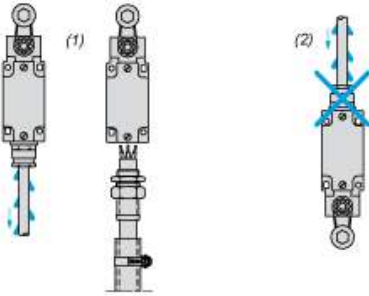
- (1) 1 tapped entry for M20 x 1.5
- (2) Ø: 2 elongated holes Ø 4.3 x 6.3 on 22 mm centres, 2 holes Ø 4.3 on 20 mm centres.

---

Mounting with Cable Entry

---

Position of Cable Gland



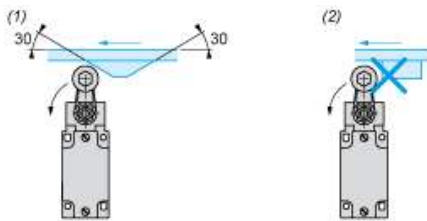
- (1) Recommended
- (2) To be avoided

---

Mounting with Rotary Heads and Levers

---

Type of Cam



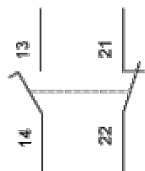
- (1) Recommended
- (2) To be avoided

---

Wiring Diagram

---

2-pole N/C + N/O Break before Make, Slow Break

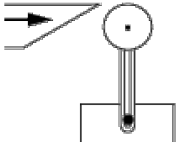


---

Characteristics of Actuation

---

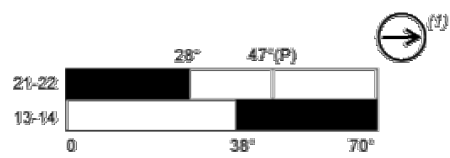
Switch Actuation by 30° Cam



---

Functionnal Diagram

---



- (2)
- (3)

- (P) Positive opening point
- (1) NC contact with positive opening operation
- (2) Closed
- (3) Open