



**ANATECH ELECTRONICS INC**  
RF & Microwave Filters & Products

# 3750 MHz Suspended Stripline High Pass Filter

**Part Number: AE3750SSH6554**



## Electrical Specifications

**Cut Off Frequency:** 3.75GHz  
**Pass Band Frequency:** 3.75~19GHz  
**Pass Band Insertion Loss:**  
 $\leq 2.0\text{dB @ } 3.75\sim 3.95\text{GHz}$   
 $\leq 1.0\text{dB @ } 3.95\sim 19\text{GHz}$   
**Pass Band VSWR:**  $\leq 1.5:1$   
**Stop Band Attenuation:**  $\geq 60\text{dB @ DC}\sim 3.3\text{GHz}$   
**Impedance:** 50 Ohms  
**Power Handling:**  $\leq 15\text{W}$

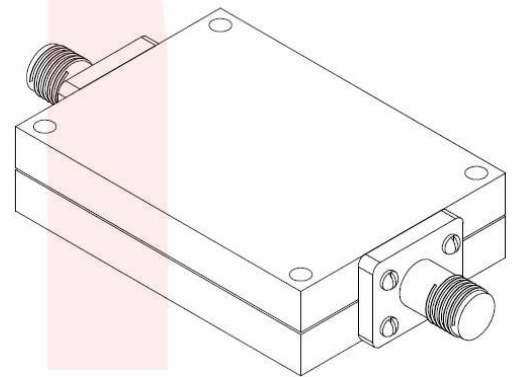
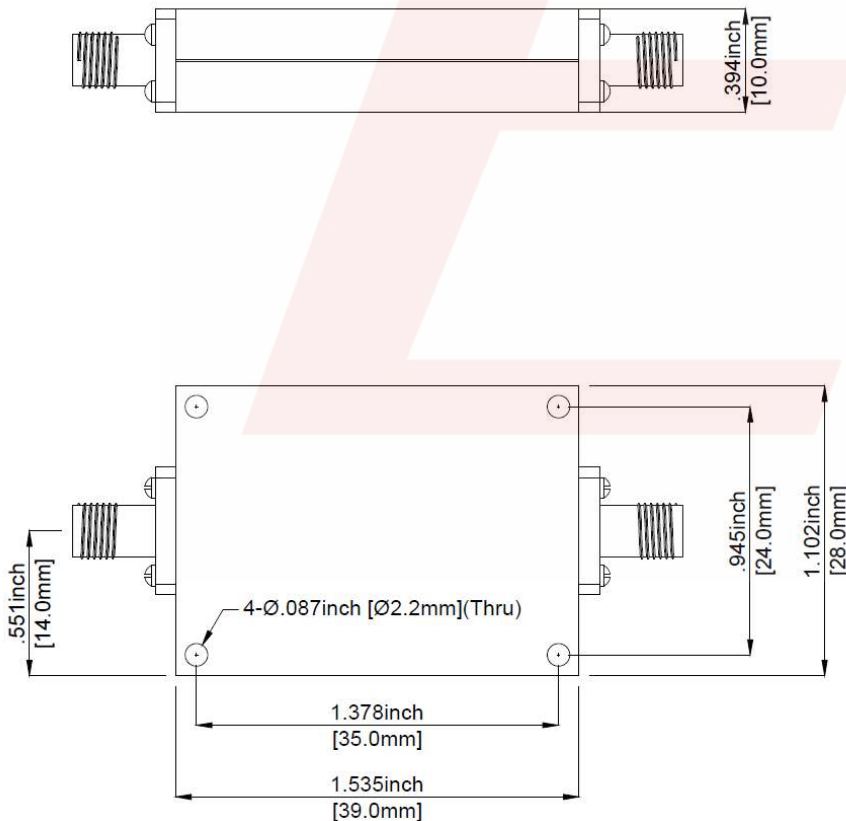
## Mechanical

**Mounting Method:** Through Holes  
**Connector Type:** SMA-Female  
**Dimensions:** 39 x 28 x 10 mm

## Environmental

**Operating Temperature:** -45 to +85° C  
**Storage Temperature:** -55 to +95° C  
**Shock:** 20 G. 11ms  
**Vibration:** 20 G. 5 to 200 Hz

## Outline Drawing:



DS-SSH6554-01252019-Rev0