

**NEW**

# KSC-TE Series Tireless Endurance Tact Switch



### Features/Benefits

- New combination of dome/support
- Silicone actuator
- J terminations
- Tape & reel
- IP67

### Typical Applications

- Elevator
- Game controllers
- Industrial applications

Tactile Switches **B**

Type	Force (N)	Life	Travel (mm)
KSC2 TE 01J LFS	1.60+/-0.6	10,000,000	0.3+/-0.2

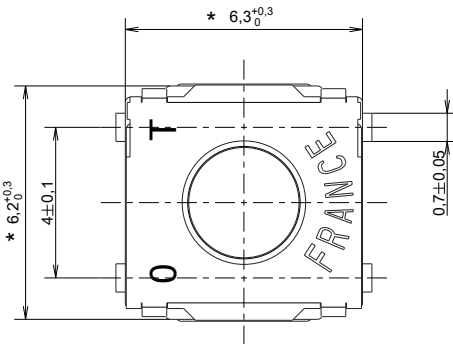
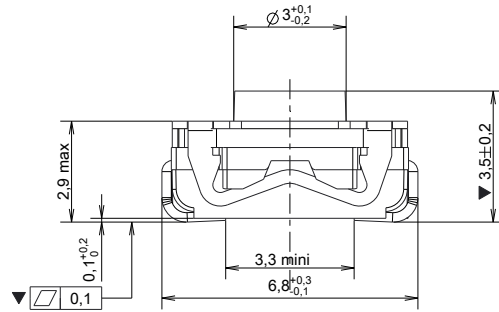
Life time at **10 million actuations** under electrical load (24 V, 1.3 mA)

### Packaging

In reels of 2,000 pieces

Dimensions of reels according to EIA RS481 or IEC 2863

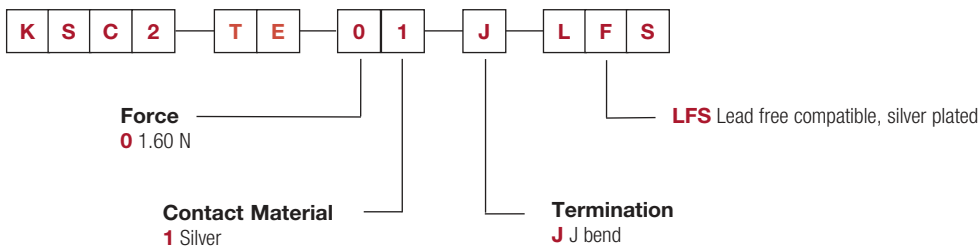
External diameter 330 ± 2 mm



### How To Order

Our easy build-a-switch concept allows you to mix and match options to create the switch you need. To order, select desired option from each category and place it in the appropriate box.

For any part number different from those listed above, please consult your local representative.



Dimensions are shown: mm  
Specifications and dimensions subject to change