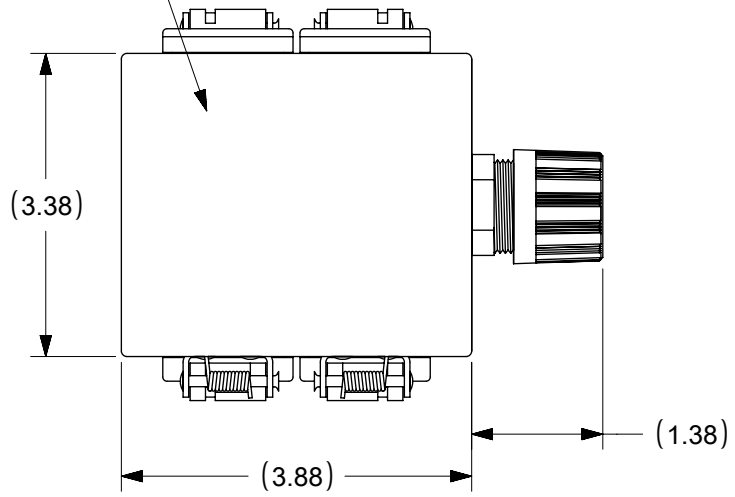
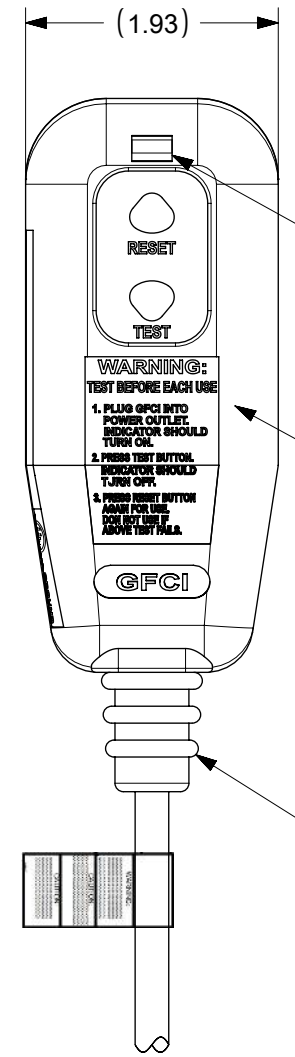
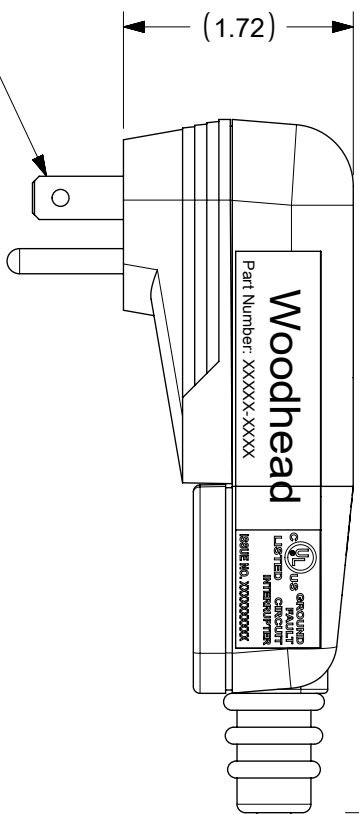


RUBBER BOX
COLOR: YELLOW



NEMA 5-15P
PLUG



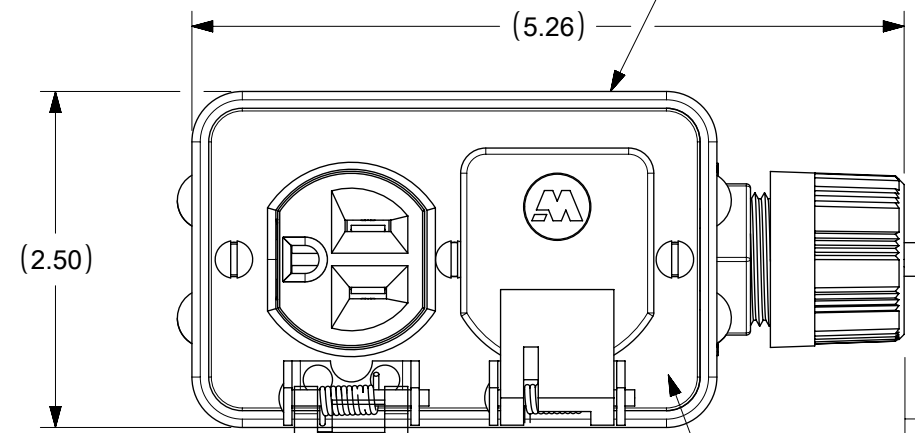
LED INDICATOR
CONFIRMS POWER
AND FAULT STATUS

HIGH STRENGTH
POLYCARBONATE
HOUSING
COLOR: BLACK

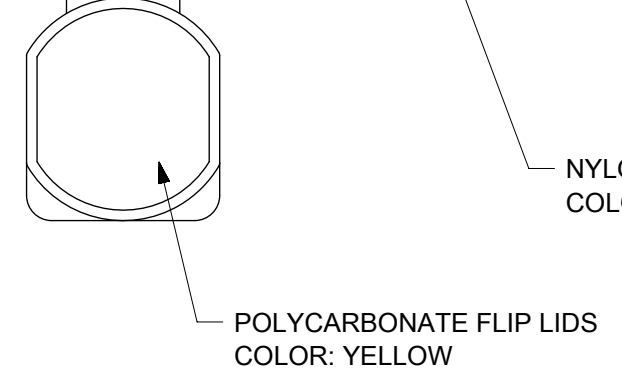
CORD STRAIN
RELIEF
COLOR: BLACK

#12-3 SJTW
300V CORD
COLOR: YELLOW

NEMA 5-15
SUPER-SAFEWAY
WATERTITE
DUAL-SIDED OUTLET BOX
PART #3005-1



NYLON COVER PLATE
COLOR: YELLOW



LENGTH "L"

TECHNICAL:
LISTED: UL AND cUL
RATED SUPPLY VOLTAGE: 120 VAC
RATED CURRENT: UP TO 15 AMPS OR CABLE RATING
RESET TYPE: AUTOMATIC OR MANUAL
OPERATING FREQUENCY: 60 Hz
TYPE: CLASS A
GROUND TRIP CURRENT: 4-6 mA
OVERLOAD CURRENT: 90 AMP 125 VAC
INSULATION VOLTAGE: 1,500 VRMS - 1 MINUTE
ENDURANCE OPERATIONS: 3000 OPERATIONS

MATERIAL NO.	ENGINEERING NO.	LENGTH "L"	POWER-UP
1301530084	15053W-2A	2 FT ± 1 IN	AUTO
1301530082	15053W-25A	25 FT ± 2 IN	AUTO
1301530087	15053W-50A	50 FT ± 4 IN	AUTO
1301530085	15053W-2M	2 FT ± 1 IN	MANUAL
1301530083	15053W-25M	25 FT ± 2 IN	MANUAL
1301530088	15053W-50M	50 FT ± 4 IN	MANUAL

THIS DRAWING CONTAINS INFORMATION THAT IS PROPRIETARY TO MOLEX ELECTRONIC TECHNOLOGIES, LLC AND SHOULD NOT BE USED WITHOUT WRITTEN PERMISSION

FUNCTIONAL SYMBOLS	DIMENSION UNITS	SCALE	CURRENT REV DESC: MIGRATION TO ECTR/NX		
$\nabla = 0$	INCH	NTS	<p>molex</p> <p>120V 15A GFCI PLUG W/ 4 RCPT WEATHER RESIST BOX NEMA 5-15</p> <p>PRODUCT CUSTOMER DRAWING</p> <p>DOCUMENT NUMBER: SD-130153-020 DOC TYPE: PSD DOC PART: 001 REVISION: A1</p>		
$\nabla = 0$	GENERAL TOLERANCES (UNLESS SPECIFIED)				
$\nabla = 0$	ANGULAR TOL ± °				
DIVISIONAL SYMBOLS	3 PLACES ±	2 PLACES ±			
	1 PLACE ±	0 PLACES ±	EC NO: 683960	DRWN: VBASUTHKARP	2021/10/28
	DRAFT WHERE APPLICABLE MUST REMAIN WITHIN DIMENSIONS		CHKD: DNGUYEN62	2021/11/15	
	THIRD ANGLE PROJECTION		APPR: HKNEELAND	2022/01/21	
	DRAWING		INITIAL REVISION:		
	SERIES		DRWN: HRUIZ01	2013/02/08	
	MATERIAL NUMBER		APPR: JFMURPHY	2015/04/20	
	CUSTOMER		SEE TABLE		
	SHEET NUMBER		GENERAL MARKET 1 OF 1		