



- 1
- 2
- 3
- 4
- 5
- 6
- 7
- 8
- 9
- 10
- 11
- 12
- 13
- 14
- 15
- 16
- 17
- 18

MATERIAL

High-strength, reinforced phenolic based (PF) Duroplast, black colour, glossy finish.

RING

Matte anodised aluminium.
(ELESA Original design - Reg. U.S. Pat. & TM Off.)

STANDARD EXECUTIONS

AISI 303 stainless steel hub with H7 reamed hole:
 - **VDN.FP-SST-A**: without handle.
 - **VDN.FP+I-SST-A**: with revolving handle I.301+x-SST (see page 405) in Duroplast.
 - **K**: index for executions with hole and keyway in compliance with DIN 6885/1 (see page A-16), tolerance P9 i.e.:
 73695-10-K VDN.80 FP-SST-A-10-K
 AISI 303 stainless steel hub not drilled in order to make holes different from the standard:
 - **VDN.FP-SST**: without handle.
 - **VDN.FP+I-SST**: with revolving handle I.301+x-SST (see page 405) in Duroplast.

ACCESSORIES ON REQUEST

Axial retaining washer in AISI 303 stainless steel GN 184.5 (see page 677).

SPECIAL EXECUTIONS ON REQUEST

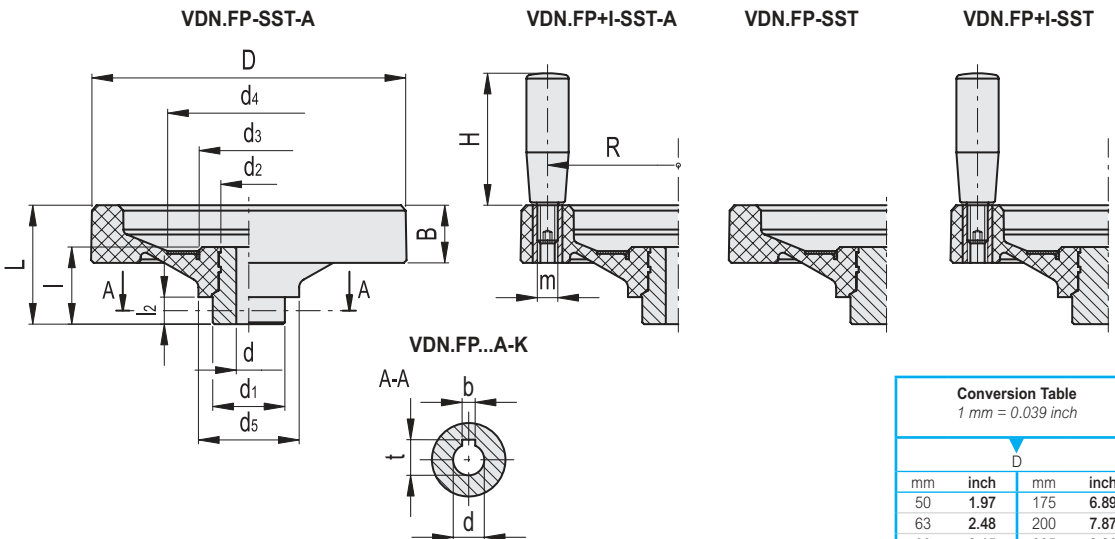
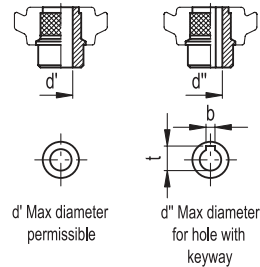
Handwheels with incorporated balancing counterweights.

ERGONOMY

The rim with internal rear scallops makes the grip and the manoeuvre of the handwheel easier.



ELESA Original design



Conversion Table			
1 mm = 0.039 inch			
D			
mm	inch	mm	inch
50	1.97	175	6.89
63	2.48	200	7.87
80	3.15	225	8.86
100	3.94	249	9.80
125	4.92	301	11.85
140	5.51	350	13.80
150	5.90		

VDN.FP-SST-A

INOX STAINLESS STEEL METRIC

Code	Description	D	dH7	L	B	d1	d2	d3	d4	d5	l	l2	d'	d''	t	b	C# [Nm]	L# [J]	⚖️
73695-10	VDN.80 FP-SST-A10	80	10	31	14	20	18	28	43	30	28	10	13	11	12.8	4	120	5	120
73695-12	VDN.80 FP-SST-A12	80	12	31	14	20	18	28	43	30	28	10	13	11	12.8	4	120	5	115
73713-10	VDN.100 FP-SST-A10	100	10	40	15	24	22	35	54	39	36	12	16	13	15.3	5	150	6	324
73713-12	VDN.100 FP-SST-A12	100	12	40	15	24	22	35	54	39	36	12	16	13	15.3	5	150	6	322
73722-12	VDN.125 FP-SST-A12	125	12	44	15	32	26.5	44	70	46	38	15	20	16	18.3	5	300	8	493
73722-14	VDN.125 FP-SST-A14	125	14	44	15	32	26.5	44	70	46	38	15	20	16	18.3	5	300	8	490
73733-14	VDN.150 FP-SST-A14	150	14	49	18	32	26.5	44	70	48	38	15	20	16	18.3	5	400	14	662
73733-16	VDN.150 FP-SST-A16	150	16	49	18	32	26.5	44	70	48	38	15	20	16	18.3	5	400	14	659
73753-18	VDN.200 FP-SST-A18	200	18	58	22	40	33	55	90	60	43	15	26	22	24.8	6	600	18	1196
73753-20	VDN.200 FP-SST-A20	200	20	58	22	40	33	55	90	60	43	15	26	22	24.8	6	600	18	1192
73773-22	VDN.250 FP-SST-A22	249	22	65	25	49	40	66	110	70	44	15	35	27	30.3	8	1000	28	1982
73773-24	VDN.250 FP-SST-A24	249	24	65	25	49	40	66	110	70	44	15	35	27	30.3	8	1000	28	1982
73785-26	VDN.300 FP-SST-A26	301	26	75	25	58	58	94	148	82	56	18	42	38	41.3	10	1100	35	2685

VDN.FP+I-SST-A

INOX STAINLESS STEEL METRIC

Code	Description	D	dH7	L	B	d1	d2	d3	d4	d5	l	l2	H	m	R	d'	d''	t	b	C# [Nm]	L# [J]	⚖️
73715-10	VDN.100 FP+I-SST-A10	100	10	46	21	24	20	35	54	39	33.5	12	50	M6	39	16	13	15.3	5	150	6	361
73715-12	VDN.100 FP+I-SST-A12	100	12	46	21	24	20	35	54	39	33.5	12	50	M6	39	16	13	15.3	5	150	6	358
73725-12	VDN.125 FP+I-SST-A12	125	12	57	28	32	26.5	44	70	46	38	15	65	M8	50	20	16	18.3	5	300	8	568
73725-14	VDN.125 FP+I-SST-A14	125	14	57	28	32	26.5	44	70	46	38	15	65	M8	50	20	16	18.3	5	300	8	565
73735-14	VDN.150 FP+I-SST-A14	150	14	61	30	32	26.5	50	80	48	38	15	65	M8	62	20	16	18.3	5	400	14	737
73735-16	VDN.150 FP+I-SST-A16	150	16	61	30	32	26.5	50	80	48	38	15	65	M8	62	20	16	18.3	5	400	14	734
73755-18	VDN.200 FP+I-SST-A18	200	18	68	32	40	33	55	90	60	43	15	90	M10	82	26	22	24.8	6	600	18	1314
73755-20	VDN.200 FP+I-SST-A20	200	20	68	32	40	33	55	90	60	43	15	90	M10	82	26	22	24.8	6	600	18	1308
73775-22	VDN.250 FP+I-SST-A22	249	22	76	36	49	40	66	110	70	44.5	15	90	M10	106	35	27	30.3	8	1000	28	2100
73775-24	VDN.250 FP+I-SST-A24	249	24	76	36	49	40	66	110	70	44.5	15	90	M10	106	35	27	30.3	8	1000	28	2097
73786-26	VDN.300 FP+I-SST-A26	301	26	87	36	58	58	94	148	82	56	18	90	M10	132	42	38	41.3	10	1100	35	2803

VDN.FP-SST

INOX STAINLESS STEEL METRIC

Code	Description	D	L	B	d1	d2	d3	d4	d5	l	l2	d'	d''	t	b	C# [Nm]	L# [J]	⚖️
73695	VDN.80 FP-SST	80	31	14	20	18	28	43	30	28	10	13	11	12.8	4	120	5	146
73713	VDN.100 FP-SST	100	40	15	24	22	35	54	39	36	12	16	13	15.3	5	150	6	263
73722	VDN.125 FP-SST	125	44	15	32	26.5	44	70	46	38	15	20	16	18.3	5	300	8	389
73733	VDN.150 FP-SST	150	49	18	32	26.5	44	70	48	38	15	20	16	18.3	5	400	14	528
73753	VDN.200 FP-SST	200	58	22	40	33	55	90	60	43	15	26	22	24.8	6	600	18	989
73773	VDN.250 FP-SST	249	65	25	49	40	66	110	70	44	15	35	27	30.3	8	1000	28	1728
73785	VDN.300 FP-SST	301	75	25	58	58	94	148	82	56	18	42	38	41.3	10	1100	35	2978

VDN.FP+I-SST

INOX STAINLESS STEEL INOX STAINLESS STEEL

Code	Description	D	L	B	d1	d2	d3	d4	d5	l	l2	H	m	R	d'	d''	t	b	C# [Nm]	L# [J]	⚖️
73715	VDN.100 FP+I-SST	100	46	21	24	20	35	54	39	33.5	12	50	M6	39	16	13	15.3	5	150	6	309
73725	VDN.125 FP+I-SST	125	57	28	32	26.5	44	70	46	38	15	65	M8	50	20	16	18.3	5	300	8	564
73735	VDN.150 FP+I-SST	150	61	30	32	26.5	50	80	48	38	15	65	M8	62	20	16	18.3	5	400	14	711
73755	VDN.200 FP+I-SST	200	68	32	40	33	55	90	60	43	15	90	M10	82	26	22	24.8	6	600	18	1248
73775	VDN.250 FP+I-SST	249	76	36	49	40	66	110	70	44.5	15	90	M10	106	35	27	30.3	8	1000	28	2144
73786	VDN.300 FP+I-SST	301	87	36	58	58	94	148	82	56	18	90	M10	132	42	38	41.3	10	1100	35	3249

* To order the execution with hole and keyway add the index -K after the code and description (i.e. 73695-10-K VDN.80 FP-SST-A-10-K).

For maximum applicable torque (C) and impact strength (L) see Technical data on page A-3.