

GlobTek, Inc. www.globtek.com 186 Veterans Drive, Northvale, NJ 07647 Tel. (201) 784-1000 Fax (201) 784-0111	Drawing Title: DSUB9 TO DSUB9 36" GRAY 28AWG STRANDED	
	Model No. Low voltage cable	Part No./Ordering No. C2107A55-G02
		Rev B1

In Addition to GlobTek Inc.'s renewed ISO9001:2008 - Quality Management System Certification, GlobTek Inc. is now certified to:

ISO13485:2003 - Medical Devices Quality Management System Certification
ISO14001:2004 - Environmental Management System Certification

ISO Certificates are available online at <http://www.globtek.com/iso-certificates/>

The acceptance of this specification and use of the product described in this document indicates the acceptance and binding of the customer to Globtek TERMS AND CONDITIONS (attached to the end of this document), which supersede all other agreements, terms, and conditions (<http://en.globtek.com/terms-and-conditions/>).

Prop 65 Statement:<https://en.globtek.com/prop-65-statement.pdf>

Footnote:

GlobTek Inc. will not be liable for the safety and performance of these power supplies if unauthorized access and repair occurs. End user should consult applicable UL, CSA or EN standards for proper installation instruction.

Limitation of Use:

GlobTek products are intended for use with commercial, medical, and/or industrial equipment only. GlobTek product are not authorized for use as mission critical components in life support hazardous environment, nuclear or aircraft applications without prior written approval from the CEO of GlobTek Inc.

Contents of this document are subject to change without prior notice.

Customer Approval of Specification:

Please approve, sign and send back to GlobTek so we can complete order processing.
A delay in receipt of this form will delay delivery schedule.

Company Name:	Customer P/N:
Quote Number:	Date:
Authorized Representative Name:	Authorized Representative Signature:

GlobTek, Inc. www.globtek.com 186 Veterans Drive, Northvale, NJ 07647 Tel. (201) 784-1000 Fax (201) 784-0111	Drawing Title: DSUB9 TO DSUB9 36" GRAY 28AWG STRANDED	
	Model No. Low voltage cable	Part No./Ordering No. C2107A55-G02
		Rev B1

REVISION HISTORY

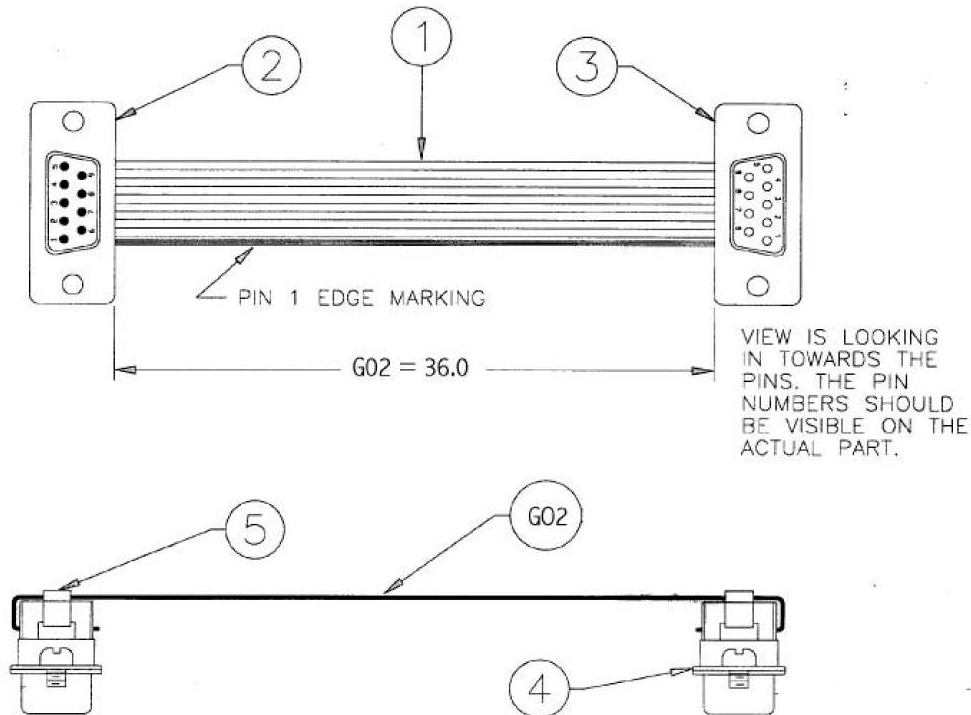
REV	DESCRIPTION	SUB	DATE	APPROVED
B1	ADD CONTACT MATERIAL PLATING	QA	10/15/2021	QA
B	UPDATE TO LATEST FORM, ADD "OR APPROVED EQUIVALENT"	DR	11/25/2019	DR
A	INITIAL RELEASE	DR	01/04/2000	SO

- AGENCY ONLINE DOCUMENTS <http://en.globtek.com/cordsets/>
- RoHS/RoHS3 Declaration https://www.globtek.com/pdf/rohs_cert/01t3000002p8lfAAA
- REACH Declaration https://www.globtek.com/pdf/iso_certificates/REACH.pdf
- Conflict Minerals Declaration <https://www.globtek.com/pdf/conflict-minerals.pdf>
- Prop 65 Statement <https://en.globtek.com/prop-65-statement.pdf>

IPXY rating is based on 3rd party testing and customers should check suitability and test system level IPXY rating before ordering.

WIRING CONNECTION DETAIL

MECHANICAL DRAWING:



MATERIAL LIST (ALL ITEMS AS LISTED OR APPROVED EQUIVALENT):

GlobTek, Inc. www.globtek.com 186 Veterans Drive, Northvale, NJ 07647 Tel. (201) 784-1000 Fax (201) 784-0111	Drawing Title: DSUB9 TO DSUB9 36" GRAY 28AWG STRANDED	
	Model No. Low voltage cable	Part No./Ordering No. C2107A55-G02
		Rev B1

IT	NT	PART NAME	DEF	SIZE) REF INFORMATION
01	.	RIBBON CABLE	DWG	3M # 3365/9
02	.	DSUB 9 PIN	DWG	3M #U89809-8000 MALE
03	.	DSUB 9 PIN	DWG	3M #U89909-8000 FEMALE
04	.	LOCK ASSY	DWG	MALE
05	.	STRAIN RELIEF	DWG	3M # 3448-8D09

1. PACKED IN INDIVIDUAL PLASTIC BAGS.
2. CONTACT MATERIAL PLATING: PHOSPHOR BRONZE

GlobTek, Inc. www.globtek.com 186 Veterans Drive, Northvale, NJ 07647 Tel. (201) 784-1000 Fax (201) 784-0111	Drawing Title: DSUB9 TO DSUB9 36" GRAY 28AWG STRANDED	
	Model No. Low voltage cable	
	Part No./Ordering No. C2107A55-G02	Rev B1

PACKAGING

Packing Spec P/N:

Box Qty: 1

Gift Box Size (mm):

Gift Box Color: White

Master Carton Size (mm): TBD

Master Carton Cubic Volume (m³): 0.00

Master GW (Kg): kg

wt Ea. (Kg): kg

wt Ea. (Kg): kg

LABEL SPECS: ,

PACK SPEC: