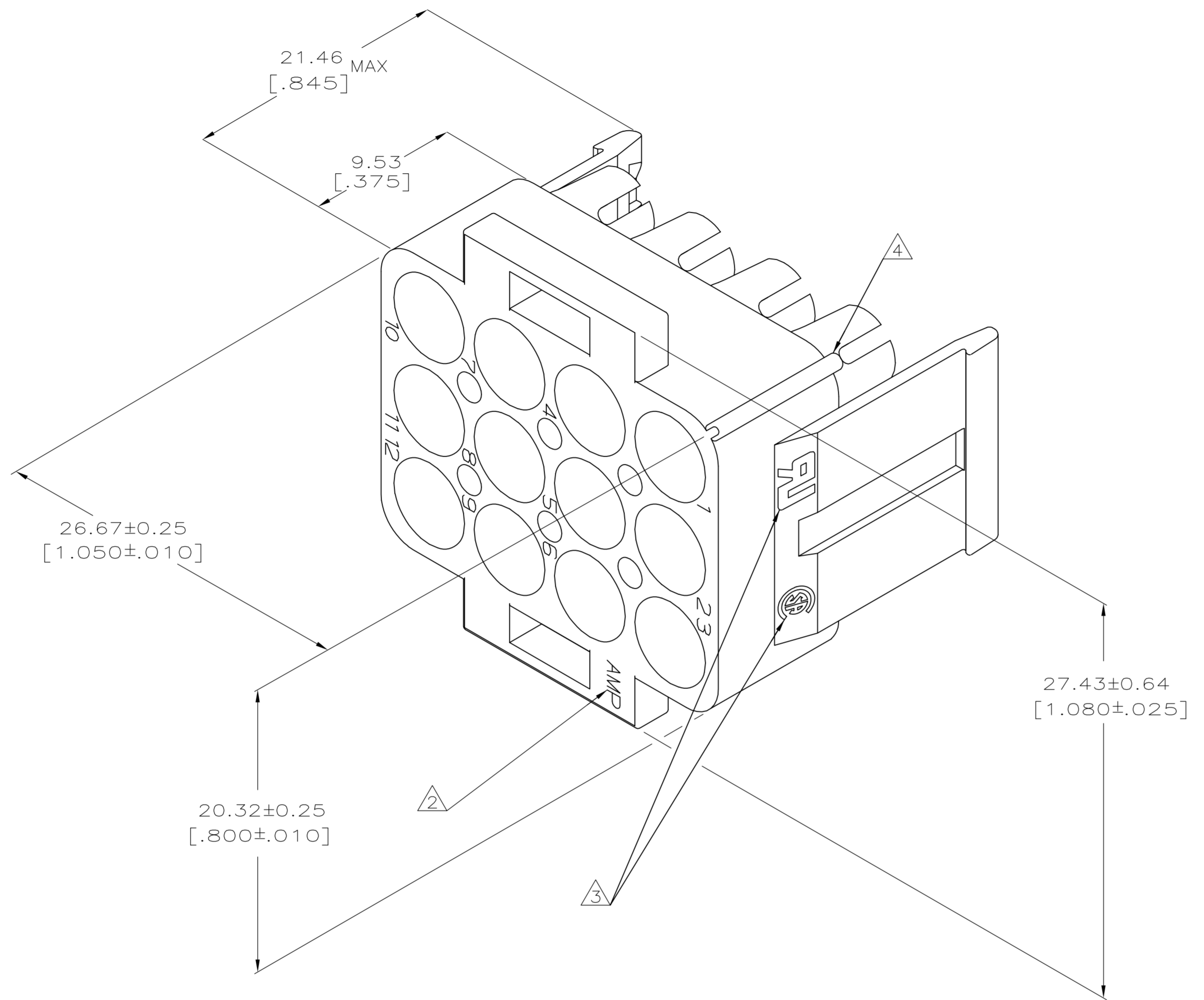


| REVISIONS |     |               |           |     |      |
|-----------|-----|---------------|-----------|-----|------|
| P         | LTR | DESCRIPTION   | DATE      | OWN | APVD |
| E1        |     | ECO-17-009556 | 03JUL2017 | SW  | RS   |



- MUST BE ASSEMBLED WITH CAP FRONT P/N 770055-1 BEFORE MATING. KIT P/N IS 770029-1.
- AMP LOGO LOCATED THIS SURFACE.
- UL AND CSA LOGOS LOCATED THIS SURFACE.
- CIRCUIT NO. 1 IDENTIFICATION RIB LOCATED APPROXIMATELY AS SHOWN .
- LOCATION OF CIRCUIT NUMBERS MOVE BUT WILL REMAIN ADJACENT TO APPROPRIATE CAVITY .
- DIMENSIONS SHOWN REPRESENT PRODUCT IN DRY, AS MOLDED, CONDITION. ADDITIONAL 2% GROWTH DUE TO SUBSEQUENT MOISTURE ABSORPTION MAY OCCUR AND SHOULD BE ACCOUNTED FOR.
- DIMENSIONS IN BRACKETS ARE IN INCHES.

770056-1  
PART NUMBER

METRIC

|  |  |                             |   |  |
|--|--|-----------------------------|---|--|
| THIS DRAWING IS A CONTROLLED DOCUMENT. |  | DWN<br>K. SALMON<br>1-15-92 | TE Connectivity                                       |  |
| DIMENSIONS:<br>INCHES                  |  | CHK<br>R. SWING<br>1-15-92  | NAME<br>CAP REAR, 12 CIRCUIT,<br>UNIVERSAL MATE-N-LOK |  |
| TOLERANCES UNLESS OTHERWISE SPECIFIED: |  | APVD<br>-                   | PRODUCT SPEC<br>-                                     |  |
| 0 PLG ± -                              |  | APPLICATION SPEC<br>-       |   |  |
| 1 PLG ± -                              |  | SIZE<br>A1                  |   |  |
| 2 PLG ± -                              |  | CAGE CODE<br>00779          |   |  |
| 3 PLG ± 0.13 [.005]                    |  | DRAWING NO<br>770056        |   |  |
| 4 PLG ± -                              |  | RESTRICTED TO<br>-          |   |  |
| ANGLES ± -                             |  | WEIGHT<br>0.000000          |   |  |
| FINISH<br>-                            |  | SCALE<br>5:1                |   |  |
| MATERIAL<br>NYLON,UL94V-0,             |  | SHEET<br>1 of 1             |   |  |
| CUSTOMER DRAWING                       |  | REV<br>E1                   |   |  |