
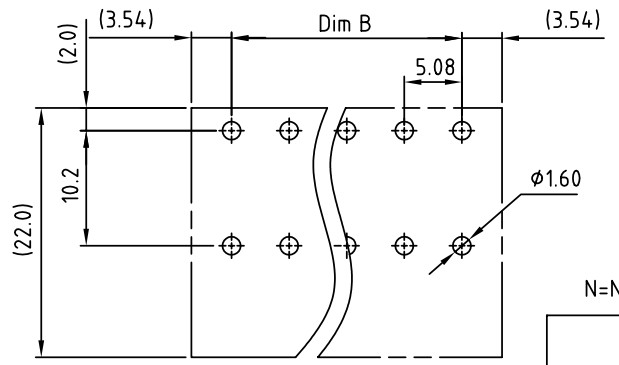
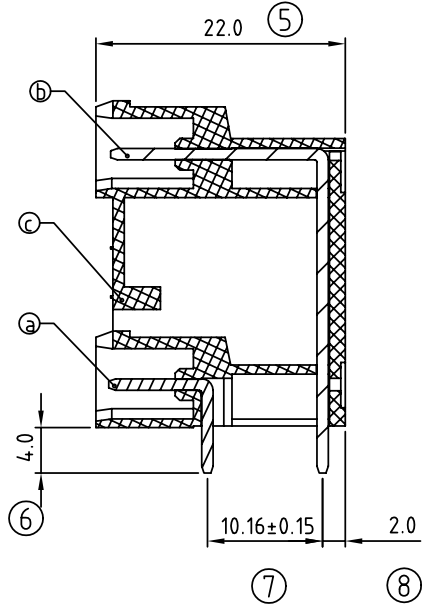
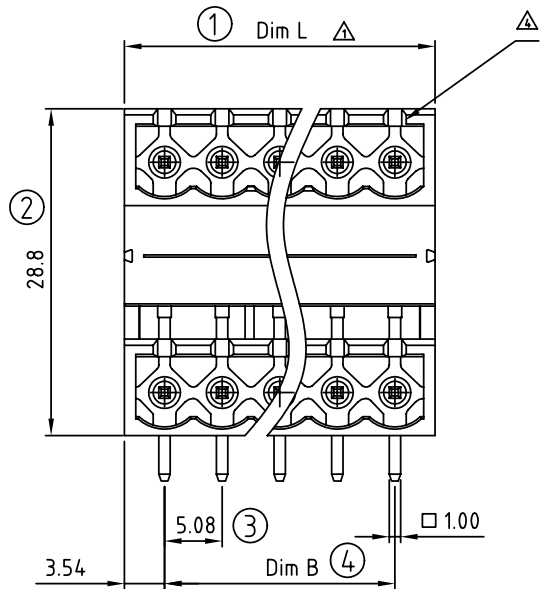
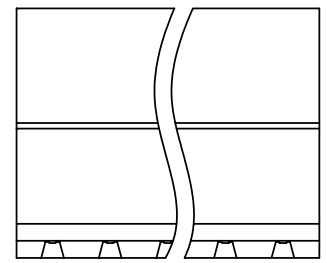


SIGN	DATE	DESCRIPTION	APPROVER
△	1/29'07	Dim. L changed	Tony
△	1/29'07	Soldering temperature changed from 245° to 250°	Tony
△	8/1'08	Operating temperature is changed	Marvin
△	2009.09.20	The design is changed	Chen Bo

THIS IS CAD DRAWING, DO NOT REVISE MANUALLY!!!

- Material:
- Item ① Short male contact pin: Copper Tin plated
 - Item ② Long male contact pin: Copper Tin plated
 - Item ③ Insulator(housing): Thermoplastic (UL94 V-0)
- Electrical: cULus
- Voltage rating: 300V
 - Current rating: 20A
 - Withstanding Voltage: 1.6 KV
- △ ● Operating temperature: -40°C to +115°C
- △ ● Soldering temperature: 250°C±10°C/5 Sec
- Safety Approval: 



RECOMMENDED PCB LAYOUT

N=NUMBER OF CONTACTS

DIM		TOL			
		2--6P	7--12P	13--18P	19--24P
Dim L	(N-1)×5.08+7.08	±0.15	±0.25	±0.35	±0.40
Dim B	(N-1)×5.08	±0.15	±0.25	±0.35	±0.40

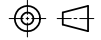
VL xx 5 1 x 1 xxxx G

- No. OF POLES
- 04: 2x2 POLES
 - ...
 - 48: 2x24 POLES
- COLOR
- 0 Black (RAL9005)
 - 2 Red (RAL3001/D)
 - 3 Orange(RAL2011/P)
 - 4 Yellow(RAL1018/A)
 - 5 Green(RAL6018/T)
 - 6 Blue (RAL5015/A)
 - 8 Grey(RAL7035/D)
- G: Pb<4000ppm
- 0000: "@ " Logo
- 000A: "ANYTEK" Mark
- Any special item by customer request. please contact sales department.

ANYTEK

CUSTOMER COPY

ALL RIGHTS RESERVED. REPRODUCTION OR ISSUE TO THIRD PARTIES IN ANY FORM WHATSOEVER IS NOT PERMITTED WITHOUT WRITTEN AUTHORITY FROM THE PROPRIETOR. PROPERTY OF ANYTEK TECHNOLOGY CO., LTD

TITLE		VL-5.08mm Series 90°			
PART NO.		VLxx51x1xxxxG		DWG NO.	8VL0301
APPROVED	CHECKED	DESIGNED	DRAWN	CUST NO.	
			Chen Bo 2010.09.20		Tolerance
					UNIT: mm
				SCALE: NONE	X.X ±0.30
				SHEET: 01/01	X.XX ±0.10
				REV.: F	X° ±1°