

# EV-TCG3PK-3AC32A-5,0M6,0ESBK01 - AC charging cable



1628001

<https://www.phoenixcontact.com/us/products/1628001>

Please be informed that the data shown in this PDF document is generated from our online catalog. Please find the complete data in the user documentation. Our general terms of use for downloads are valid.



CHARX connect comfort, Mobile AC charging cable, with vehicle charging connector and infrastructure charging plug, For charging electric vehicles (EV) with alternating current (AC) via GB/T vehicle charging inlets, with protective cap, with locking option for padlock, GB/T, Type 2, IEC 62196-2, GB/T 20234.2-2015, housing: black, gray, PHOENIX CONTACT logo, cable: 5 m, black, straight

## Product description

Mobile AC charging cable with vehicle charging connector and infrastructure charging plug for charging electric vehicles (EV) with alternating current (AC) via GB/T vehicle charging inlets, compatible with type 2 infrastructure charging sockets at charging stations for e-mobility (EVSE)

## Your advantages

- Complete product range
- Convenient handling due to the ergonomic, triple award-winning design
- Available with your logo on request – for consistent branding of your charging station
- Longitudinal water tightness reliably prevents water ingress
- Developed and produced in accordance with the IATF 16949 automotive standard and ISO 9001
- Tested in accordance with automotive standards LV124, LV214, and LV215-2
- Tested in accordance with EV Ready 37 requirements

## Commercial data

Item number	1628001
Packing unit	1 pc
Minimum order quantity	1 pc
Sales key	EM01
Product key	XWBAEH
Catalog page	Page 33 (C-7-2019)
GTIN	4055626370156
Weight per piece (including packing)	3,418 g
Weight per piece (excluding packing)	3,418 g
Customs tariff number	85444290
Country of origin	PL

# EV-TCG3PK-3AC32A-5,0M6,0ESBK01 - AC charging cable



1628001

<https://www.phoenixcontact.com/us/products/1628001>

## Technical data

### Product properties

Product type	AC charging cable
Product family	CHARX connect comfort
Application	For charging electric vehicles (EV) with alternating current (AC) via GB/T vehicle charging inlets compatible with type 2 infrastructure charging sockets at charging stations for electromobility (EVSE)
Type	Mobile AC charging cable with vehicle charging connector and infrastructure charging plug
Design	with protective cap with locking option for padlock
Affixed logo	PHOENIX CONTACT logo
Charging mode	Mode 3, Case B
Charging standard	GB/T Type 2

### Electrical properties

Type of charging current	AC 3-phase
Charging power	26.6 kW
Charging current	32 A

### Material specifications

Color (Housing)	black (9005)
Color (Handle area)	black (9005)
Color (Mating face)	black (9005)
Color (Protective cap)	black (9005)
Color (Cable)	black (9005)

### Cable/line

Cable length	5 m
Wiring standards/regulations	prEN 50620/DIN EN 50620
Wiring certifications	VDE
Cable weight	max. 505 kg/km
Cable type	Class 5
Cable type	straight
Cable structure	5 x 6.0 mm <sup>2</sup> + 1 x 0.5 mm <sup>2</sup>
External cable diameter	17 mm ±0.4 mm
Outer sheath, material	TPE-U
Stripping length of the sheath	60 mm ±15 mm
Cable resistance	≤ 0.0033 Ω/m (based on a power core, at an ambient temperature of 20°C)
Bending radius	min. 127.5 mm (7.5x diameter)

# EV-TCG3PK-3AC32A-5,0M6,0ESBK01 - AC charging cable



1628001

<https://www.phoenixcontact.com/us/products/1628001>

Cable length	5 m
Stripping length	60 mm ±15 mm
External cable diameter	17 mm ±0.4 mm
Cable type	Class 5
Wiring certifications	VDE
Wiring standards/regulations	prEN 50620/DIN EN 50620
Cable resistance	≤ 0.0033 Ω/m (based on a power core, at an ambient temperature of 20°C)

## Standards and regulations

### Standards

Standards/regulations	IEC 62196-2
	GB/T 20234.2-2015

# EV-TCG3PK-3AC32A-5,0M6,0ESBK01 - AC charging cable

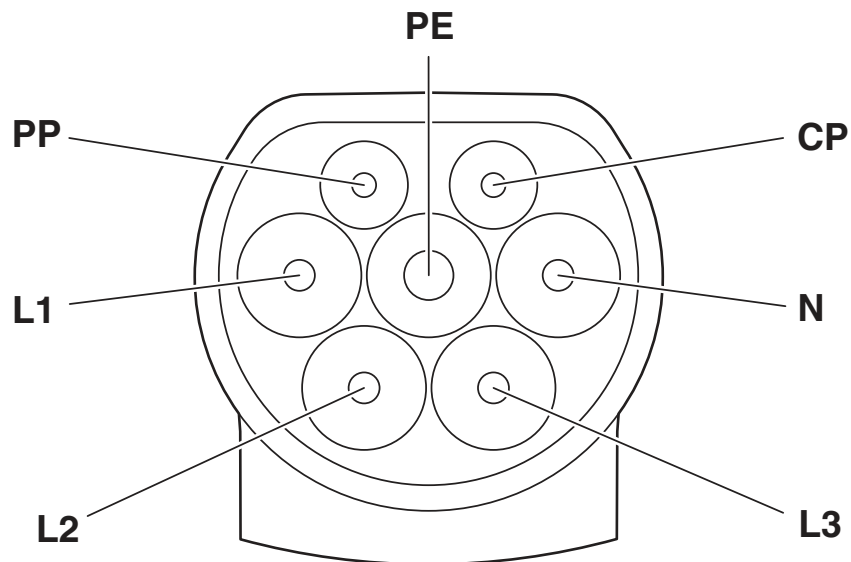


1628001

<https://www.phoenixcontact.com/us/products/1628001>

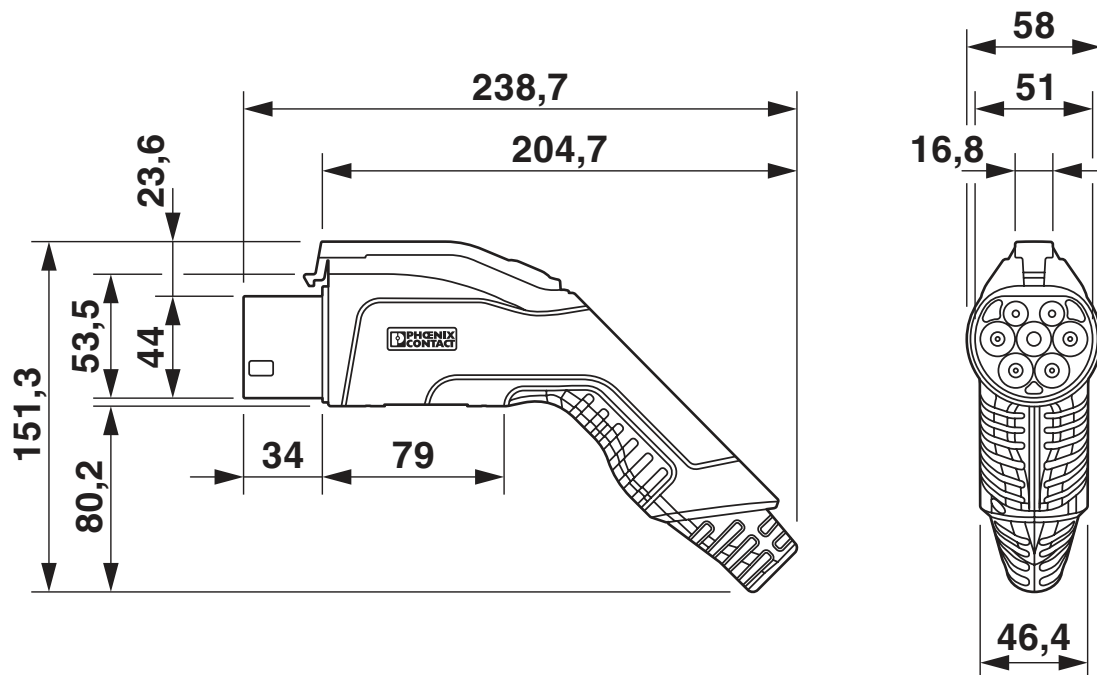
## Drawings

Connection diagram



Pin assignment of Infrastructure Plug

Dimensional drawing



Vehicle connector

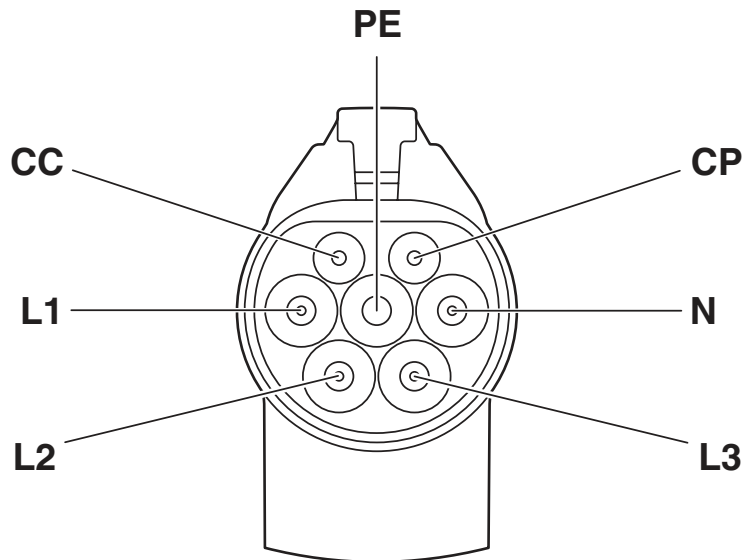
# EV-TCG3PK-3AC32A-5,0M6,0ESBK01 - AC charging cable



1628001

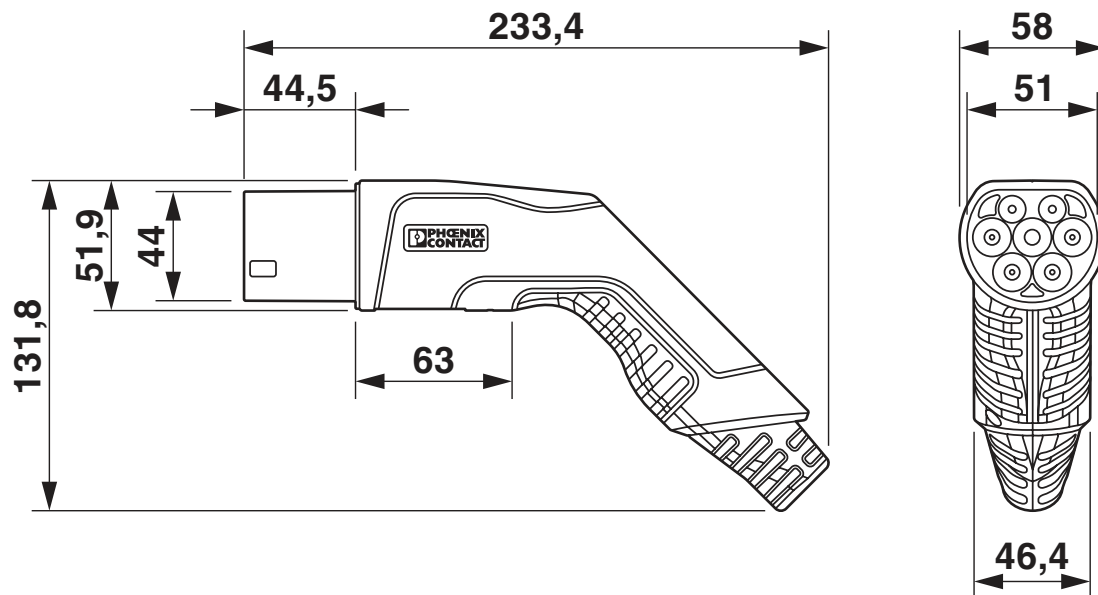
<https://www.phoenixcontact.com/us/products/1628001>

Schematic diagram



Pin assignment of the Vehicle Connector

Dimensional drawing



Infrastructure plug

# EV-TCG3PK-3AC32A-5,0M6,0ESBK01 - AC charging cable

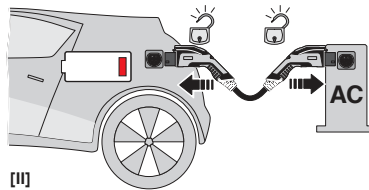
1628001

<https://www.phoenixcontact.com/us/products/1628001>

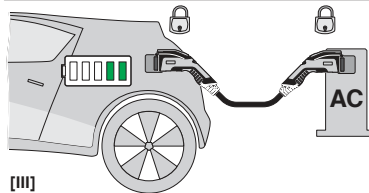
## Schematic diagram



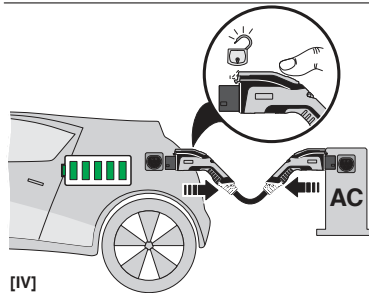
[I]



[II]



[III]



[IV]



[V]

Operating instructions

# EV-TCG3PK-3AC32A-5,0M6,0ESBK01 - AC charging cable



1628001

<https://www.phoenixcontact.com/us/products/1628001>

## Classifications

### ECLASS

ECLASS-11.0	27144705
ECLASS-12.0	27144705
ECLASS-13.0	27144705

### ETIM

ETIM 8.0	EC002897
----------	----------

### UNSPSC

UNSPSC 21.0	39121500
-------------	----------

# EV-TCG3PK-3AC32A-5,0M6,0ESBK01 - AC charging cable



1628001

<https://www.phoenixcontact.com/us/products/1628001>

## Environmental product compliance

REACH SVHC	Lead 7439-92-1
China RoHS	Environmentally Friendly Use Period = 10;
	For information on hazardous substances, refer to the manufacturer's declaration available under "Downloads"



# EV-TCG3PK-3AC32A-5,0M6,0ESBK01 - AC charging cable



1628001

<https://www.phoenixcontact.com/us/products/1628001>

## Accessories

### EV-GBAC-PARK - Charging connector holder

1624142

<https://www.phoenixcontact.com/us/products/1624142>



CHARX connect, Charging connector holder, Accessories, for vehicle charging connectors on charging stations (EVSE), GB/T, GB/T 20234.2, Front mounting, housing: black

---

Phoenix Contact 2023 © - all rights reserved  
<https://www.phoenixcontact.com>

Phoenix Contact USA  
586 Fulling Mill Road  
Middletown, PA 17057, United States  
(+717) 944-1300  
[info@phoenixcon.com](mailto:info@phoenixcon.com)