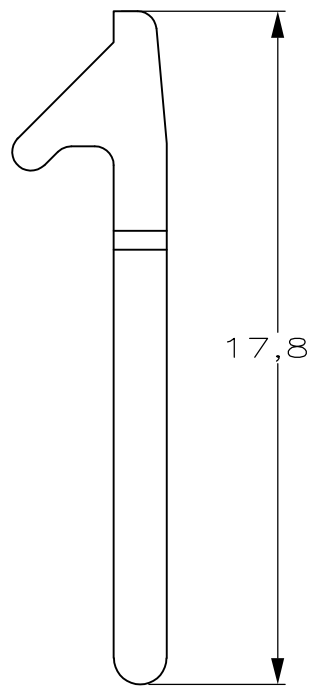
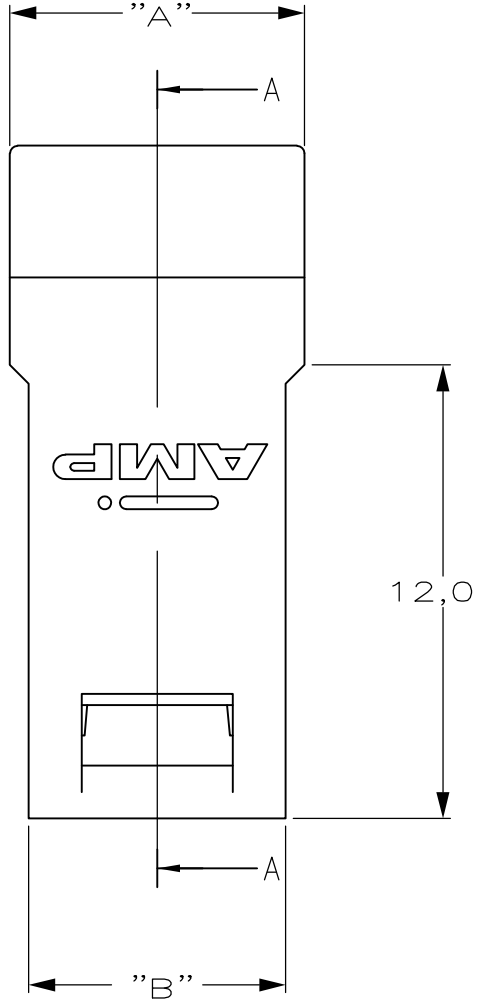
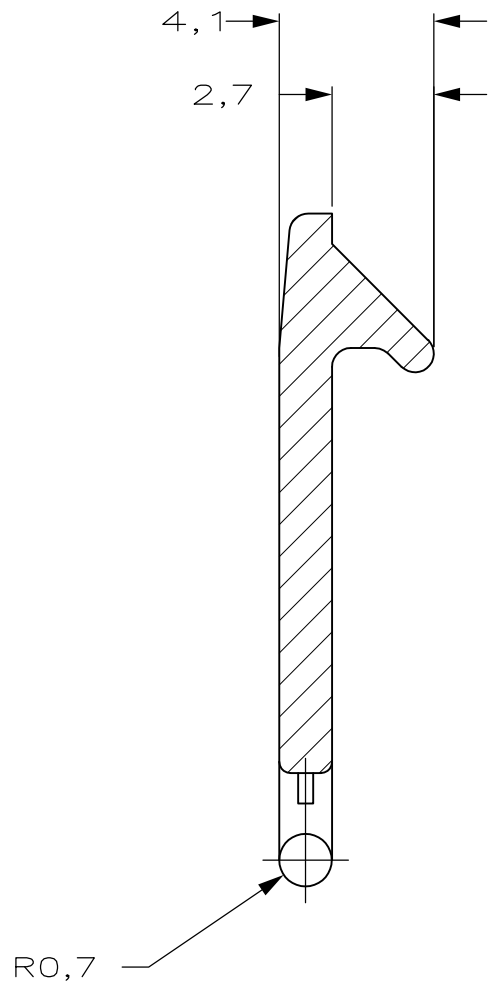


THIS DRAWING IS UNPUBLISHED. RELEASED FOR PUBLICATION
 © COPYRIGHT BY TYCO ELECTRONICS CORPORATION. ALL RIGHTS RESERVED.

LOC	DIST	REVISIONS			
P	LTR	DESCRIPTION	DATE	DWN	APVD
	C	SR10-0031-03	30-01-03	DP	-
	D	ECR-10-019054	15SEP10	DP	MQW

SECTION A-A



- NOTES:
1. MATERIAL: GLASFILLED POLYESTER
COLOR : GRAY
 2. -2 VERSION AS SHOWN
 3. CAN ONLY BE USED IN COMBINATION WITH LIF VERSION CABLE CONNECTOR SHROUDS

4	6,8	7,8	352706-2
5	8,8	9,8	352706-1
POSITIONS	DIM "B"	DIM "A"	PARTNUMBER

THIS DRAWING IS A CONTROLLED DOCUMENT.		DWN Devos	30JAN2003	Tyco Electronics Corporation Oostkamp - BELGIUM	
DIMENSIONS: MM		CHK -	APVD -	NAME	
		TOLERANCES UNLESS OTHERWISE SPECIFIED: ±0.2		PRODUCT SPEC	
MATERIAL -		FINISH -		APPLICATION SPEC	
		WEIGHT -		SIZE A3	CAGE CODE 00779
		CUSTOMER DRAWING		DRAWING NO C-352706	RESTRICTED TO -
		SCALE 5:1		SHEET 1 OF 1	REV D