

## SUMMARY



Image is for illustrative purpose only

### # Wires

Low voltage 5

|                  |                                |
|------------------|--------------------------------|
| Series           | 1B                             |
| Termination type | Male crimp                     |
| IP rating        | 50                             |
| AWG wire size    | 24.00 - 20.00                  |
| Cable Ø          | 6.30 - 7.20 mm                 |
| Status           | active                         |
| Matching parts   | <a href="#">EGG.1B.305.CYM</a> |

### Download

[Request a quote](#)

[Catalog](#)

## TECHNICAL DETAILS

### Mechanics

|                   |   |
|-------------------|---|
| Shell Style/Model | FP*: Elbow (90°) plug with cable collet   |
| Keying            | 1 key (alpha=0, plug: male contacts, receptacle: female contacts)   |
| Housing Material  | Brass (chrome plated [SAE AMS 2460]) shell and collet nut, nickel plated [SAE AMS QQ N 290] brass latch sleeve and mid pieces |
| Weight            | 22.03 g   |

### Performance

|               |                            |
|---------------|----------------------------|
| Configuration | 1B.305 : 5 Low Voltage     |
| Insulator     | Y: PEEK for crimp contacts |
| Rated Current | 9 Amps                     |

### Specifications

Contact Type: Crimp  
Contact Retention: 30 N  
Contact Dia.: 0.9 mm (0.035in)  
Bucket Dia.: 1.1 mm (0.043in)  
Min. Conductor: 0.25 mm<sup>2</sup> (AWG 24)  
Max. Conductor: 0.5 mm<sup>2</sup> (AWG 20)  
R (max): 4.8 mOhm  
Vtest (contact-shell): 1550 V (AC), 2200 V (DC)

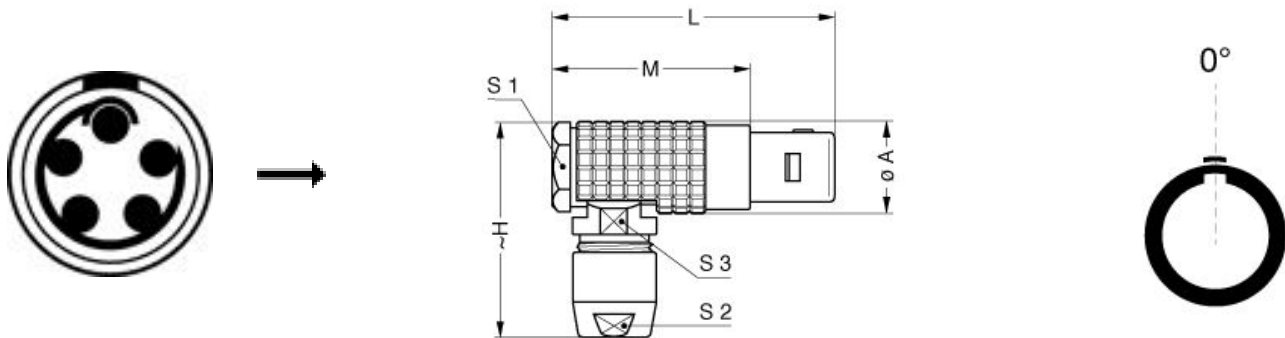
LEMO products and services are provided "as is". LEMO makes no warranties or representations with regard to LEMO product & services or use of them, express, implied or statutory, including for accuracy, completeness, or security. The user is fully responsible for his products and applications using LEMO components.

Vtest (contact-contact): 1300 V (AC), 1840 V (DC)

## Others

Endurance (Shell): 5000  
Temp (min / max): -55°C / +250°C  
Humidity (max): ≤95% [at 60 deg C / 140 F]  
Vibration: 15 g [10 Hz - 2000 Hz]  
Shock Resistance: 100 g [ 6 ms]  
Climatical Category: 50/175/21  
Shielding (min): 75 dB (10 MHz)  
Shielding (min): 40 dB (1 GHz)  
Salt Spray Corrosion: >1000 hr

## DRAWINGS



## Dimensions

|     | A    | H    | L    | M    | S1   | S2   | S3   |
|-----|------|------|------|------|------|------|------|
| mm. | 12   | 29   | 36   | 25   | 11   | 9    | 10   |
| in. | 0,47 | 1,14 | 1,42 | 0,98 | 0,43 | 0,35 | 0,39 |

## RECOMMENDED BY LEMO

### Tools

LEMO products and services are provided "as is". LEMO makes no warranties or representations with regard to LEMO product & services or use of them, express, implied or statutory, including for accuracy, completeness, or security. The user is fully responsible for his products and applications using LEMO components.

Crimp Tool: [DPC.91.701.V](#)  
Crimp settings: AWG/Selector = 20-22-24/6-5-5  
Positionner: [DCE.91.091.BVC](#)  
Extractor: [DCC.09.05B.LAG](#)  
Replacement contact: FGG.1B.560.ZZC  
Spanner wrench: [DCD.1B.ZZZ.PA090](#)

## Cables

|        |     |      |  |
|--------|-----|------|--|
| 250500 | PVC | Grey |  |
|--------|-----|------|--|

*LEMO products and services are provided "as is". LEMO makes no warranties or representations with regard to LEMO product & services or use of them, express, implied or statutory, including for accuracy, completeness, or security. The user is fully responsible for his products and applications using LEMO components.*