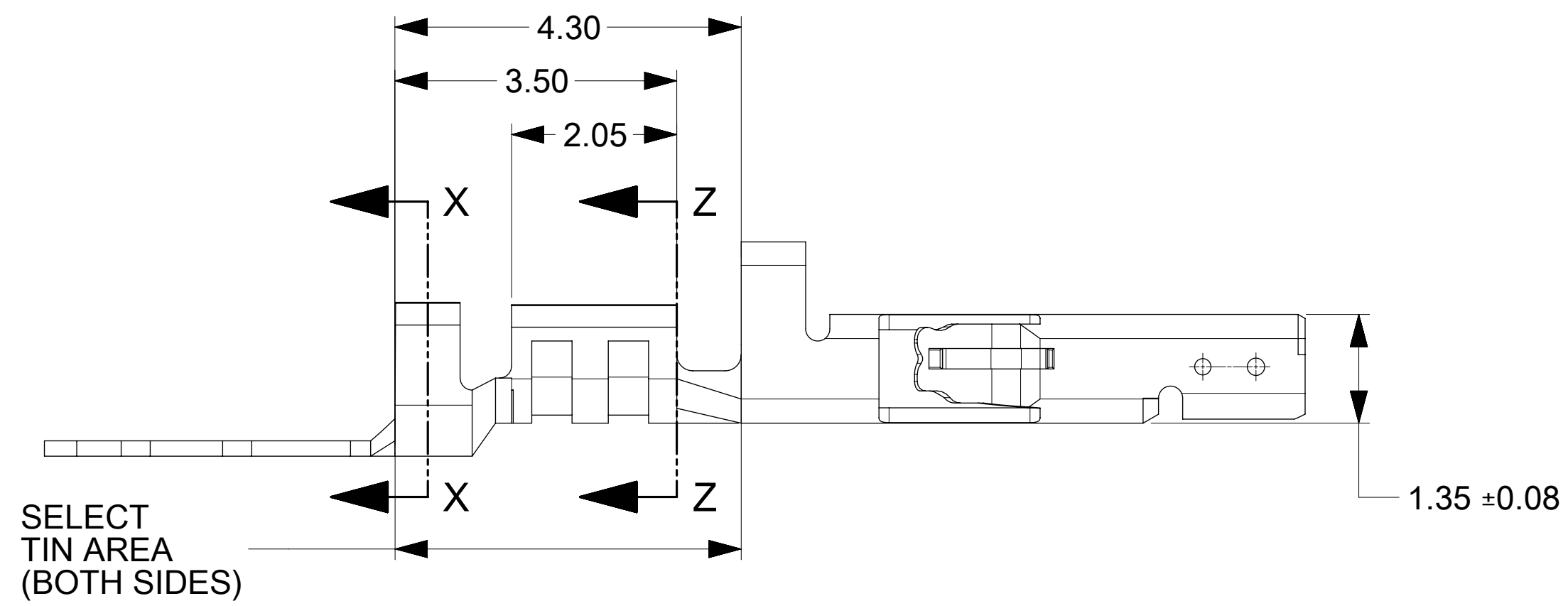
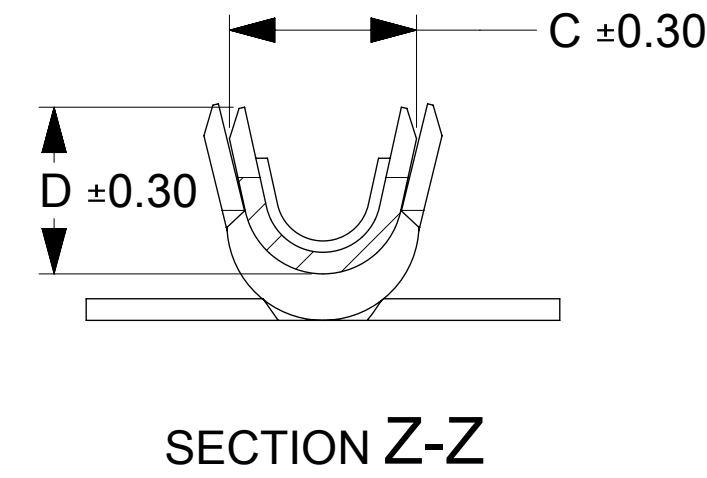
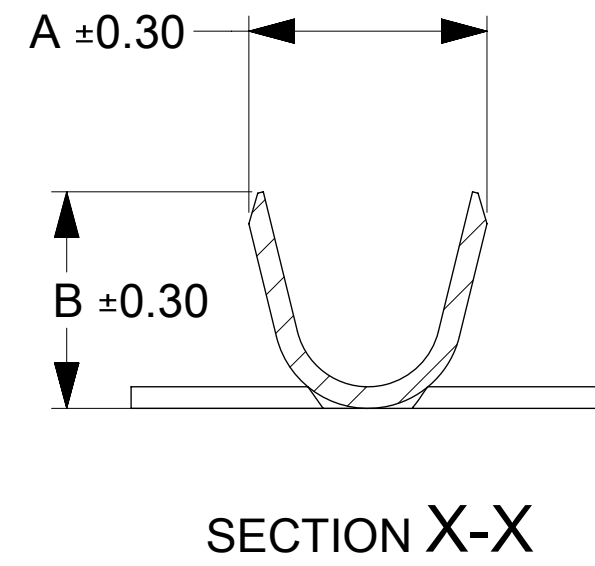
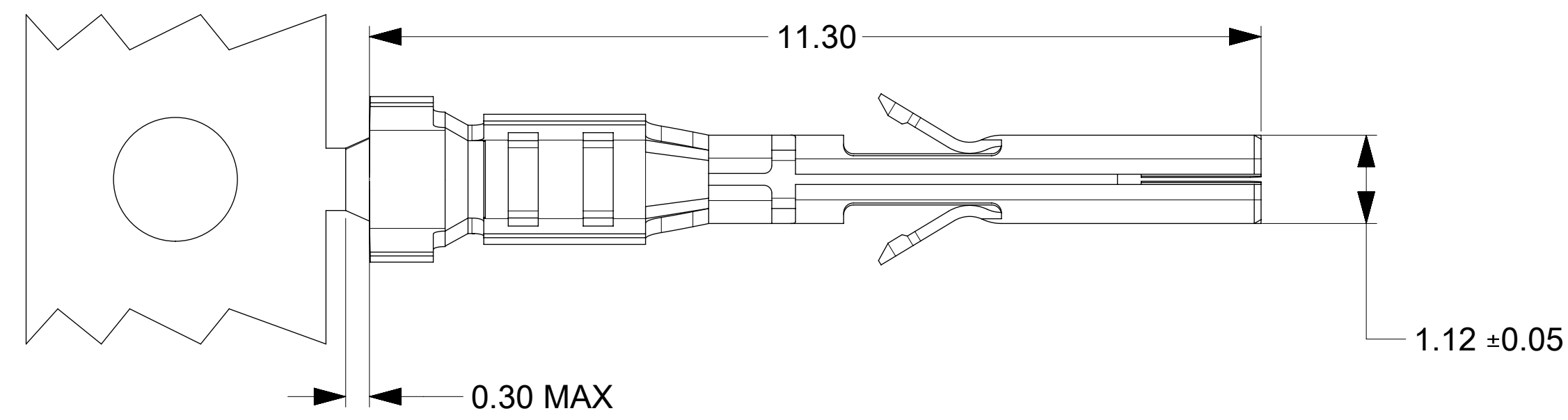
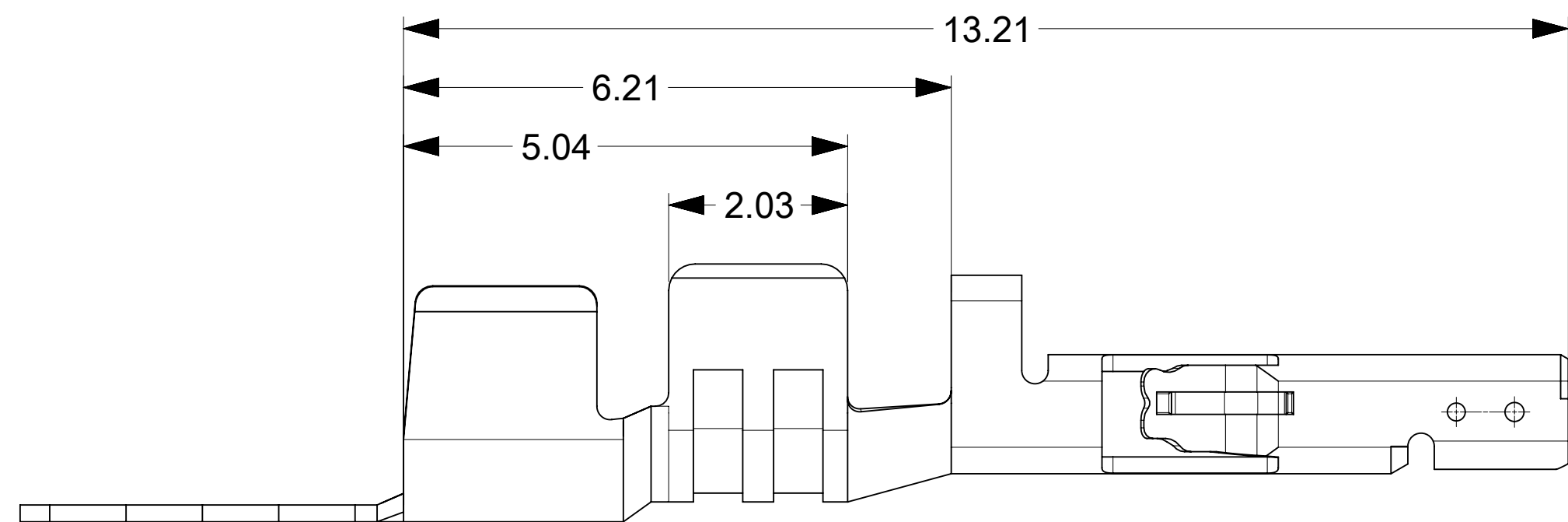


FOR 18AWG & 20-24AWG & 26-30AWG



FOR 16AWG



PART NUMBER	CONTACT PLATING OPTION	WIRE SIZE	ASSEMBLY OPTION	A	B	C	D
2064600011	TIN/NICKEL	26-30 AWG	CHAIN	2.10	1.91	1.65	1.47
2064600021	TIN/NICKEL	20-24 AWG		2.51	2.31	2.08	1.91
2064600031	TIN/NICKEL	18 AWG		2.51	2.31	2.39	2.18
2064600041	TIN/NICKEL	16 AWG		2.97	2.67	2.70	2.70
2064600012	15AU/NICKEL	26-30 AWG	CHAIN	2.10	1.91	1.65	1.47
2064600022	15AU/NICKEL	20-24 AWG		2.51	2.31	2.08	1.91
2064600032	15AU/NICKEL	18 AWG		2.51	2.31	2.39	2.18
2064600042	15AU/NICKEL	16 AWG		2.97	2.67	2.70	2.70
2064600013	30AU/NICKEL	26-30 AWG	CHAIN	2.10	1.91	1.65	1.47
2064600023	30AU/NICKEL	20-24 AWG		2.51	2.31	2.08	1.91
2064600033	30AU/NICKEL	18 AWG		2.51	2.31	2.39	2.18
2064600043	30AU/NICKEL	16 AWG		2.97	2.67	2.70	2.70

- NOTES:
- MATERIAL: HIGH COPPER ALLOY
 - PLATING :
 - OPTION 1: TIN OVER NICKEL OVERALL
 - OPTION 2: SELECT 15MICROINCH GOLD AND SELECT MATTE TIN OVER NICKEL.
 - OPTION 3: SELECT 30MICROINCH GOLD AND SELECT MATTE TIN OVER NICKEL.
 - PRODUCT SPECIFICATION: 2064600000-PS
 - PACKAGING SPECIFICATION: 2064600000-PK
 - TERMINAL FOR USE IN RECEPTACLE SERIES 206461
 - COSMETIC SPECIFICATION: PS-45499-002 CLASS B

THIS DRAWING CONTAINS INFORMATION THAT IS PROPRIETARY TO MOLEX ELECTRONIC TECHNOLOGIES, LLC AND SHOULD NOT BE USED WITHOUT WRITTEN PERMISSION		CURRENT REV DESC:					
DIMENSION UNITS	SCALE	EC NO: 688978					
mm	NTS	DRWN: ZIXUAQ 2021/12/15		FEMALE TERMINAL MICRO-FIT + SOLUTION			
GENERAL TOLERANCES (UNLESS SPECIFIED)		CHK'D: XQZHANG 2021/12/16					
ANGULAR TOL ± 3.0°		APPR: XQZHANG 2021/12/16		PRODUCT CUSTOMER DRAWING			
4 PLACES	±	INITIAL REVISION:		DOCUMENT NUMBER			
3 PLACES	±	DRWN: SMAHAJANSHET 2018/05/08		2064600000-SD			
2 PLACES	± 0.25	APPR: NCSR 2019/04/02		DOC TYPE DOC PART REVISION			
1 PLACE	± 0.35	DRAFT WHERE APPLICABLE MUST REMAIN WITHIN DIMENSIONS		PSD 000 A3			
0 PLACES	±	THIRD ANGLE PROJECTION		MATERIAL NUMBER CUSTOMER SHEET NUMBER			
		DRAWING SERIES		SEE TABLE GENERAL MARKET 1 OF 1			
		D-SIZE 206460					