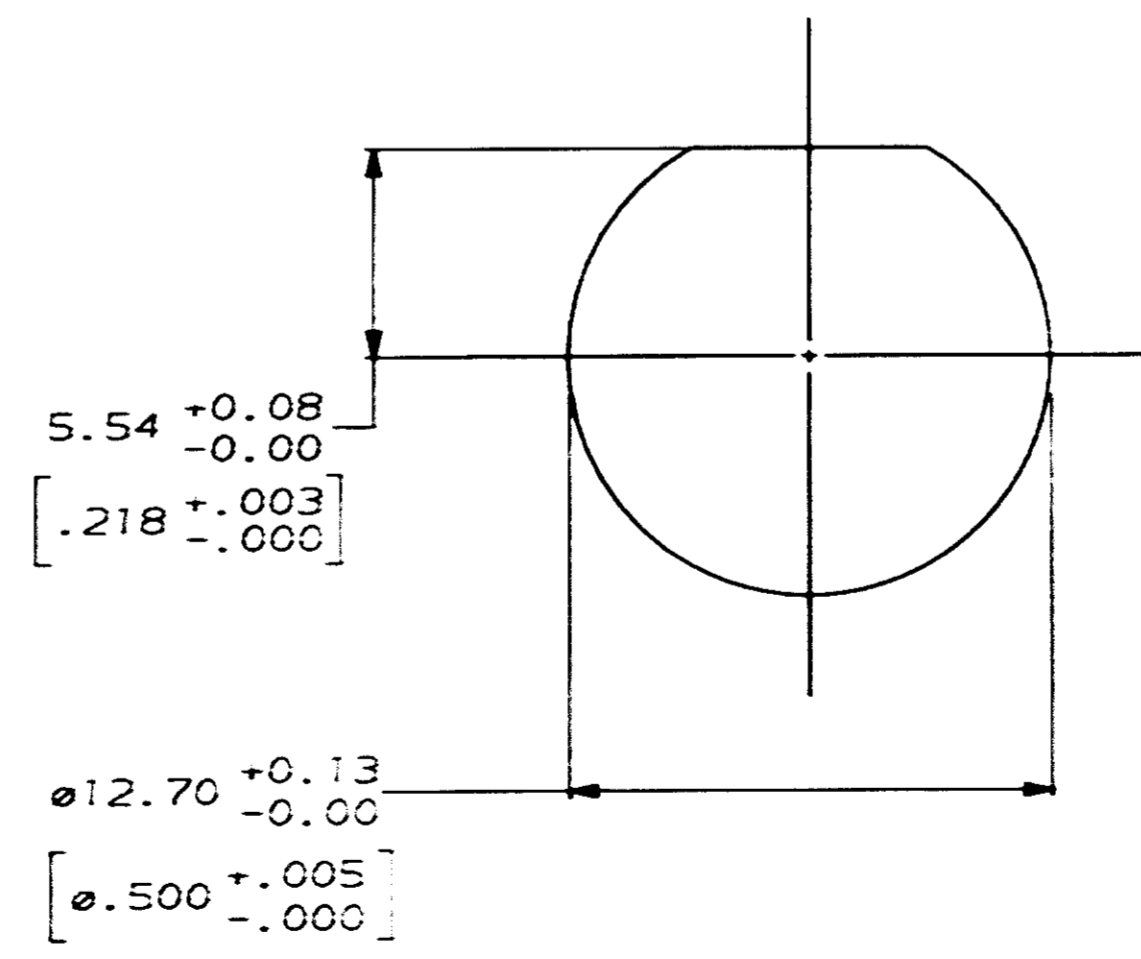
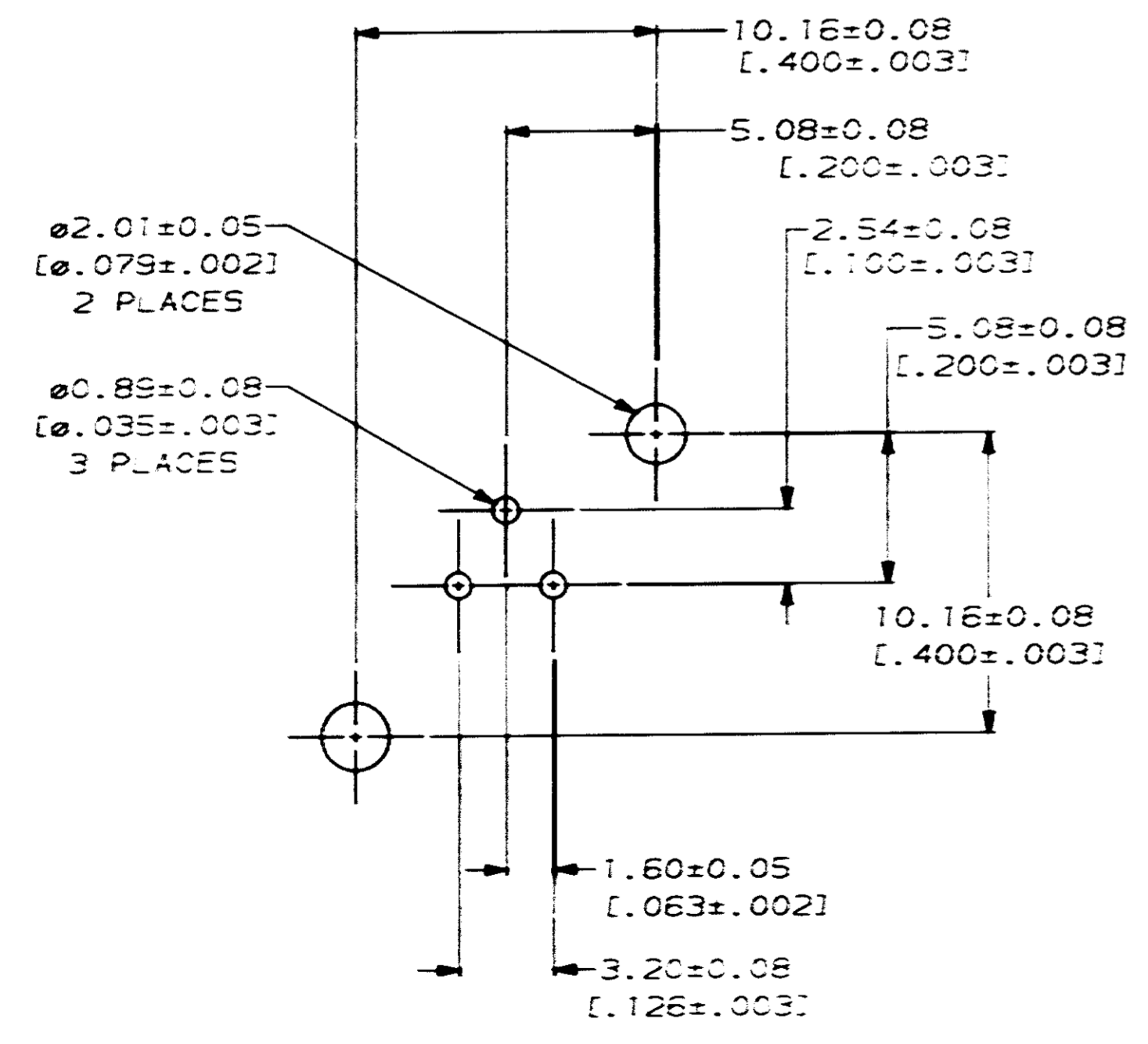


- 1 POLYESTER, PBT, 15% GLASS FIBER REINFORCED, NATURAL, PER MIL-M-24519.
- 2 ZINC PER QQ-Z-363.
- 3 POLYMETHYLPENTENE, GENERAL PURPOSE.
- 4 PHOSPHOR BRONZE PER QQ-B-750.
- 5 BRASS PER QQ-B-626.
- 6 BRASS PER ASTM-B-453.
- 7 NICKEL PL PER QQ-N-290, 3.81µm [0.000150] MINIMUM THICK
- 8 GOLD PL PER MIL-G-45204, 0.76µm [0.000030] MINIMUM THICK
- 9 TIN-LEAD PL PER ASTM-B-545 & MIL-P-81728, 3.81µm [0.000150] MINIMUM THICK



PCB CONFIGURATION

RECOMMENDED PANEL CUTOUT

DO NOT SCALE PRINT. UNLESS SPECIFIED DIMENSIONS IN INCHES! TOLERANCES ON: 2 PLACES ± 0.001; 3 PLACES ± 0.002; ANGLES ± 0.1°		DR 10/22/90 R.E.P.™	228697-2 PART NO	
CHK 3-8-91 A 3484V	APPD 3-8-91 I 3484V	AMP Incorporated Harrisburg, PA 17105-3608		
MATERIAL	APPD 3-8-91 J. L. JOBERT	NAME JACK, VERTICAL, PCB, SERIES TWIN BNC		
FINISH	PRODUCT SPEC 108-12078	SIZE D	CAGE CODE 00779	
	APPLICATION SPEC	DRAWING NO 228697		
	WEIGHT	SCALE 5:1	SHEET 1 OF 1	