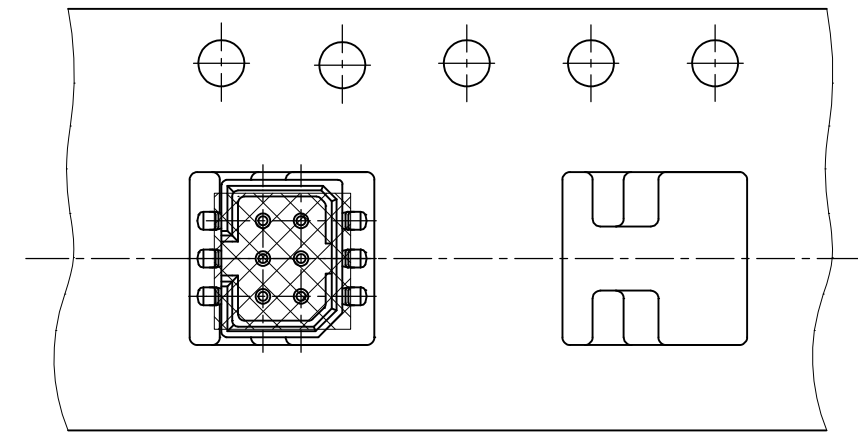
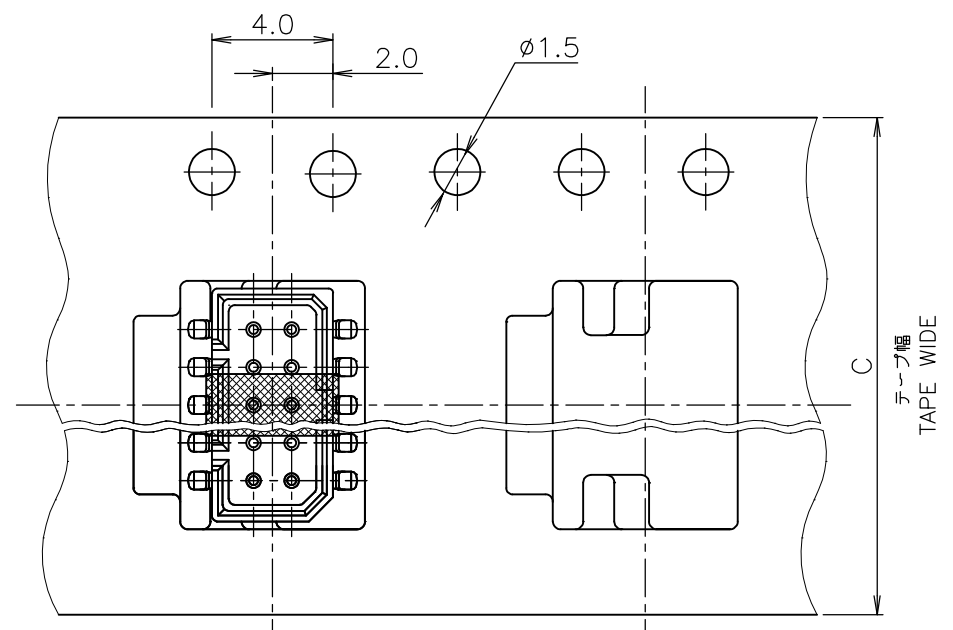
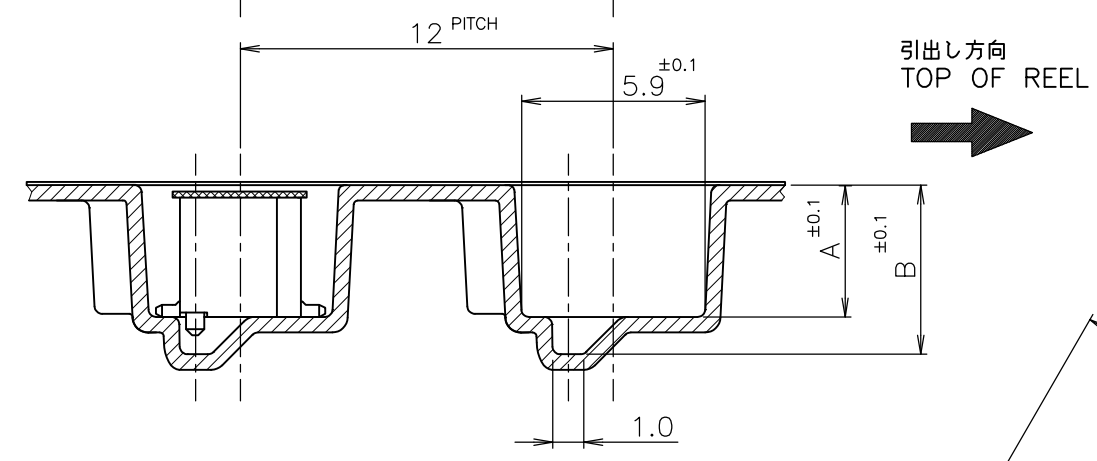


THIS DRAWING IS UNPUBLISHED. RELEASED FOR PUBLICATION
 © COPYRIGHT - By - ALL RIGHTS RESERVED.

| LOC | DIST | REVISIONS | | | | | |
|-----|------|-----------|-----|----------------|---------|-----|------|
| | | P | LTR | DESCRIPTION | DATE | DWN | APVD |
| - | - | C1 | | ADD P/N 3-*--6 | 19MAR15 | I.T | W.H |

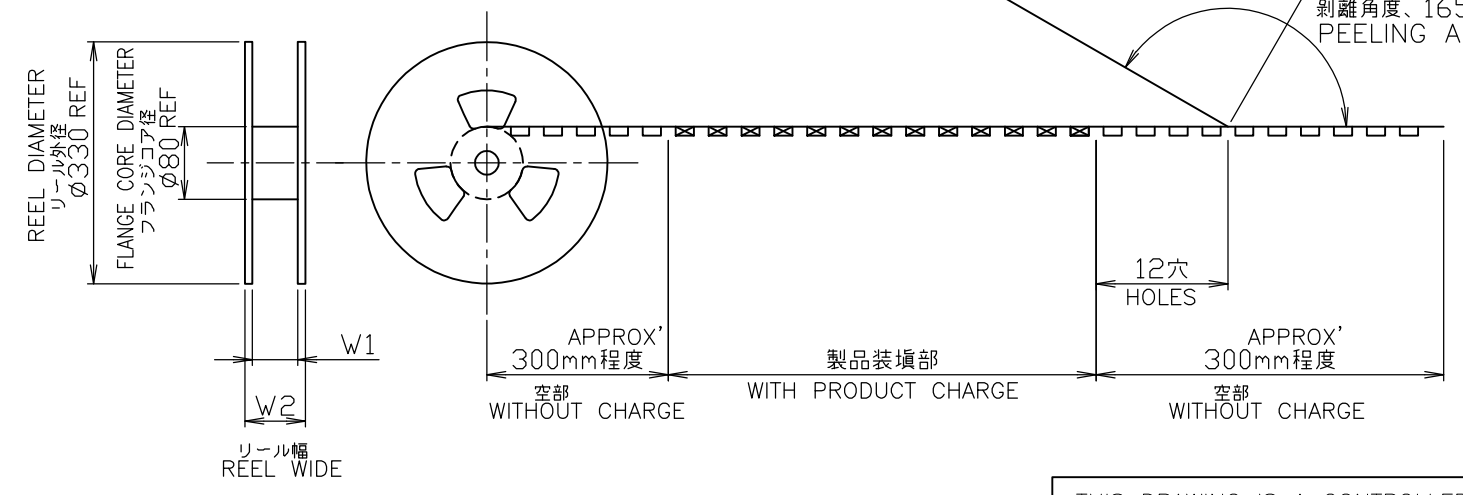


6 Pos.(P/N:3-1981350-6)



WEEDING THE COVER TAPE AROUND THE OUTER PERIPHERY IN A TURN.
 カバーテープ リーダーテープ 外周一巻
 剥離角度、165°~180° PEELING ANGLE.

注記 ;
 1. 包装規格 : 107-5123-5
 NOTES;
 1. PACKING SPEC : 107-5123-5



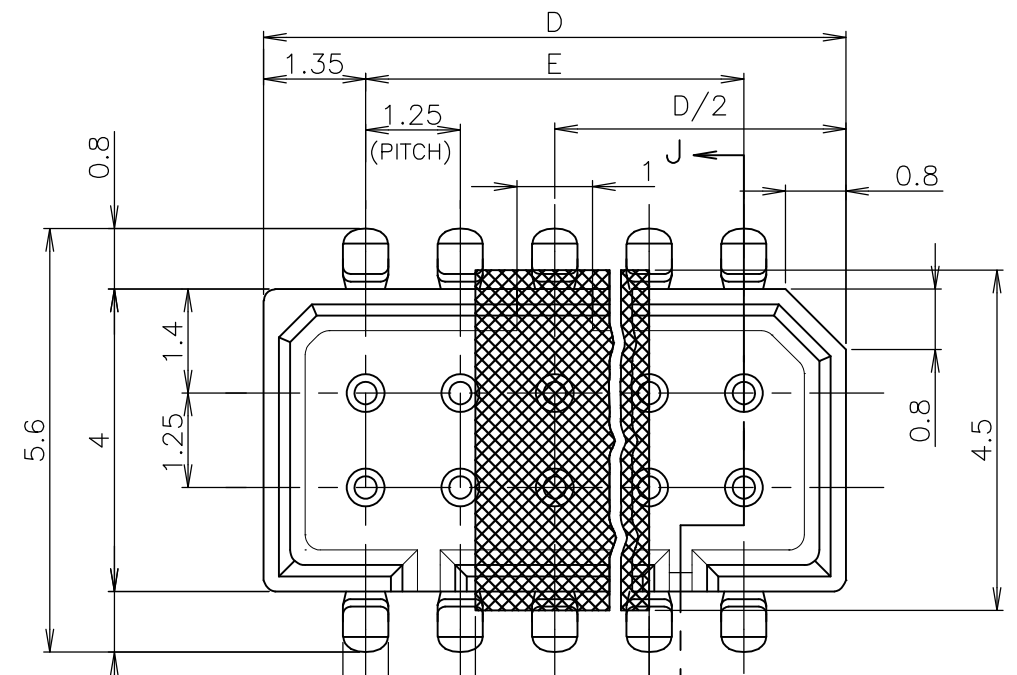
| | | | | | | | | | | | | | | | |
|-------------------|----------------|----------------|-----|-------|------|-------|-------|----|------|------|-----------------|---------|------------------------|---|----|
| 'B' | 21 | 18 | 4.5 | 4.2 | ↑ | 2.50 | 5.20 | 16 | ↑ | ↑ | ↑ | 6 | 3- | ↑ | -6 |
| 'B' | 21 | 18 | ↑ | 6.70 | | 5.00 | 7.70 | 16 | ↑ | ↑ | ↑ | 10 | 4- | | -0 |
| ↑ | ↑ | ↑ | ↑ | ↑ | 3.95 | ↑ | ↑ | ↑ | 5.45 | 4.25 | 1000 | ↑ | 5- | | -0 |
| 'A' | 29 | 26 | 5.5 | 12.95 | 5.45 | 11.25 | 13.95 | 24 | 6.95 | 5.75 | 750 | 20 | 2-1981350-0 | | |
| BOSS 形状 BOSS FORM | W ₂ | W ₁ | M | G | F | E | D | C | B | A | 数量 (ヶ) QTY/REEL | 板数 Pos. | リール巻 コネクタ型番 TAPING P/N | | |

THIS DRAWING IS A CONTROLLED DOCUMENT.

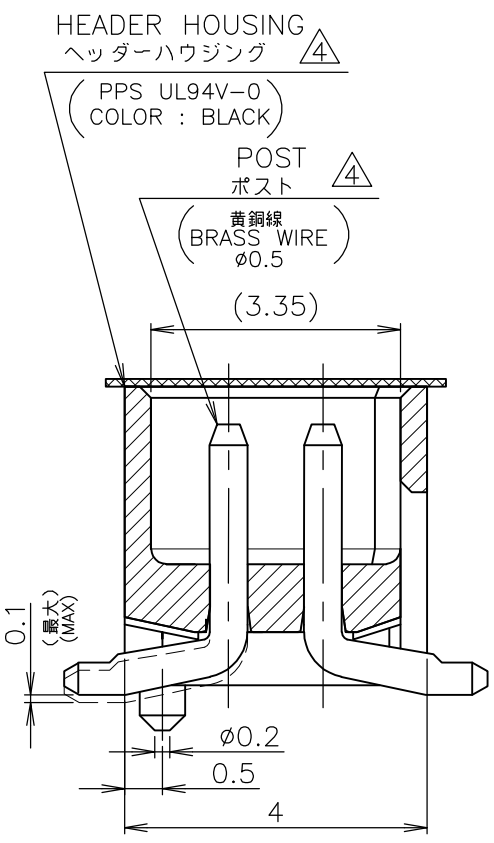
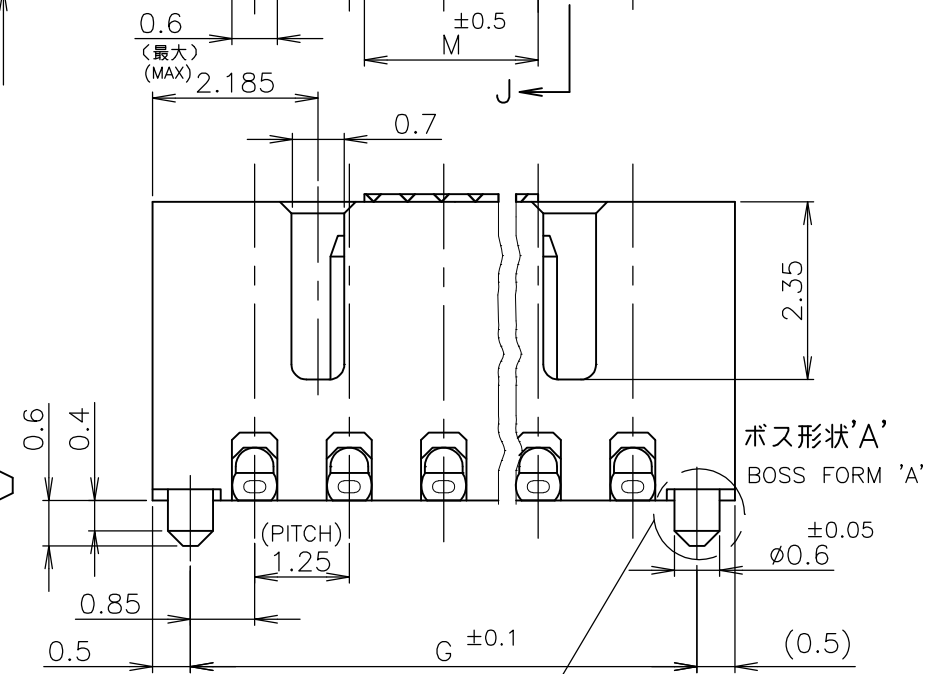
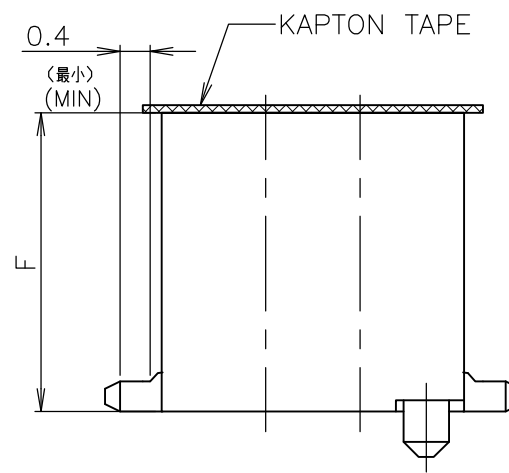
| | |
|----------------------------|--|
| DWN V.TAN 27NOV07 | STE TE Connectivity |
| CHK Y.NAKAZAWA 28NOV07 | |
| APVD Y.NAKAZAWA 28NOV07 | NAME 名称 1.25FP CONNECTOR B-T-B, KAPTON TAPE, ON TAPING EMBOSS, DOUBLE ROW POST HDR ASSY SMT TYPE WITH BOSS |
| PRODUCT SPEC 製品規格 108-5426 | SIZE A3 CAGE CODE 00779 DRAWING NO 番号 C-1981350 RESTRICTED TO |
| APPLICATION SPEC 取付適用規格 | SCALE 尺度 NON SHEET 1 OF 2 REV C1 |
| MATERIAL 材料 | CUSTOMER DRAWING |

THIS DRAWING IS UNPUBLISHED. RELEASED FOR PUBLICATION
 © COPYRIGHT - By - ALL RIGHTS RESERVED.

| LOC | DIST | REVISIONS | | | | | |
|-----|------|-----------|-----|-------------|------|-----|------|
| | | P | LTR | DESCRIPTION | DATE | DWN | APVD |
| - | - | - | - | SEE SHEET 1 | - | - | - |



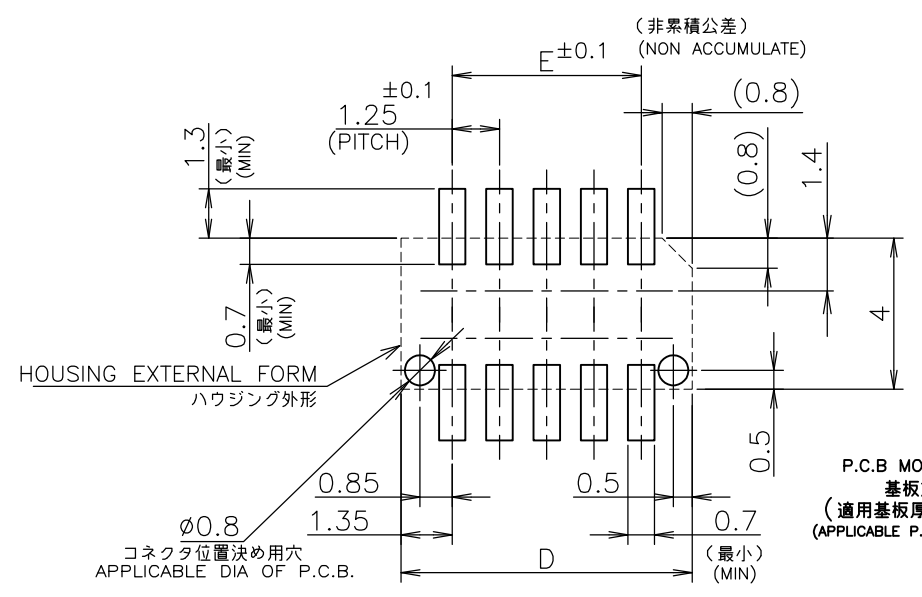
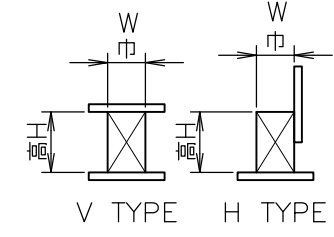
注記
 NOTE 2 嵌合相手製品型番及び、嵌合時寸法は
 MATING COUNTER PART NUMBER AND DIMENSIONS
 表-1 参照のこと。
 AFTER MATING: SEE TABLE 1.
 ③ 仕上げ：ニッケル下地錫めっき(後めっき)
 FINISH ; TIN PL.
 Ni UNDER PL. ALL OVER



嵌合時寸法:巾(mm)x高さ(mm)
 DIMENSIONS AFTER MATING : WIDTH(mm) x HEIGHT(mm)

| MATING COUNTER CONN RECE HDR ASSY | SMT TYPE | | | |
|---|---|---------------------|---------------------|---------------------|
| | X-174821-X | X-1981350-X | ポスト付 WITH BOSS | |
| ハウジング 高さ F寸法 HOUSING HEIGHT F DIMENSIONS | | | | |
| | 3.95 | 5.45 | 5.95 | |
| DIP TYPE | V TYPE X-174635-X X-176870-X | 5.6(巾W)x 5.0(高H) | 5.6(巾W)x 6.5(高H) | 5.6(巾W)x 7.0(高H) |
| | H TYPE X-174636-X X-176892-X | 5.6(巾W)x 5.8(高H) | 5.6(巾W)x 7.3(高H) | 5.6(巾W)x 7.8(高H) |
| SMT TYPE | ボス無 WITHOUT BOSS X-174904-X X-176768-X | 5.6(巾W)x 5.0(高H) | 5.6(巾W)x 6.5(高H) | 5.6(巾W)x 7.0(高H) |
| | ボス付 WITH BOSS X-174639-X X-176311-X | 5.6(巾W)x 6.9(高H) | 5.6(巾W)x 8.4(高H) | 5.6(巾W)x 8.9(高H) |

TABLE 1
 表-1 SMT TYPEは、巾及び高さ寸法に
 SMT TYPE INCLUDE DIMENSIONS
 半田付タイン部寸法を含みます。
 OF SOLDER DIP TIME.



ボス形状'B'
 BOSS FORM 'B'

P.C.B MOUNTING LAYOUT
 基板加工寸法
 (適用基板厚 : 0.6mm 最小)
 (APPLICABLE P.C.B THK : 0.6mm MIN)

THIS DRAWING IS A CONTROLLED DOCUMENT.

| | |
|----------------------------|---|
| DIMENSIONS: 単位: 耗 mm | TOLERANCES UNLESS OTHERWISE SPECIFIED: 一般公差 |
| 0 PLC ± 0.3 | 1 PLC ± 0.3 |
| 2 PLC ± 0.3 | 3 PLC ± 0.3 |
| 4 PLC ± 0.3 | PLC ANGLES ± 3° |
| MATERIAL 材料 | FINISH 仕上 |

| | | | | | | | | | | | |
|------------------|-----|------|----------------------|----------------------------|--------|--|------------------|-----------------|-----------|------------------|---------------|
| DWN | CHK | APVD | PRODUCT SPEC 製品規格 | APPLICATION SPEC 取付適用規格 | WEIGHT | NAME 名称 1.25FP CONNECTOR B-T-B, KAPTON TAPE, ON TAPING EMBOSS, DOUBLE ROW POST HDR ASSY SMT TYPE WITH BOSS | | SIZE | CAGE CODE | DRAWING NO 番号 | RESTRICTED TO |
| - | - | - | - | - | - | STE TE Connectivity | | A3 | 00779 | C-1981350 | - |
| CUSTOMER DRAWING | | | | | | | SCALE 尺度 10:1 | SHEET 2 OF 2 | REV C1 | | |