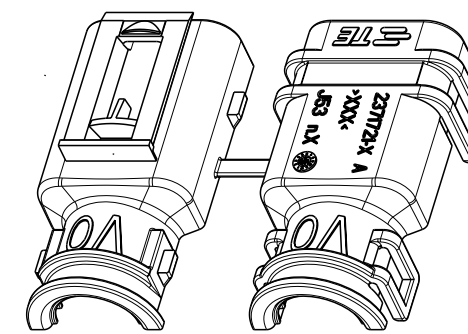
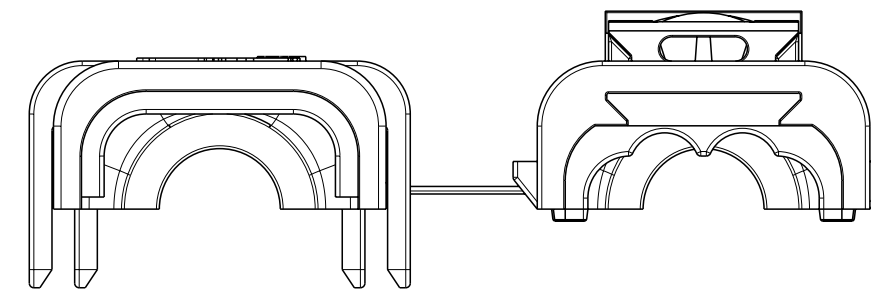
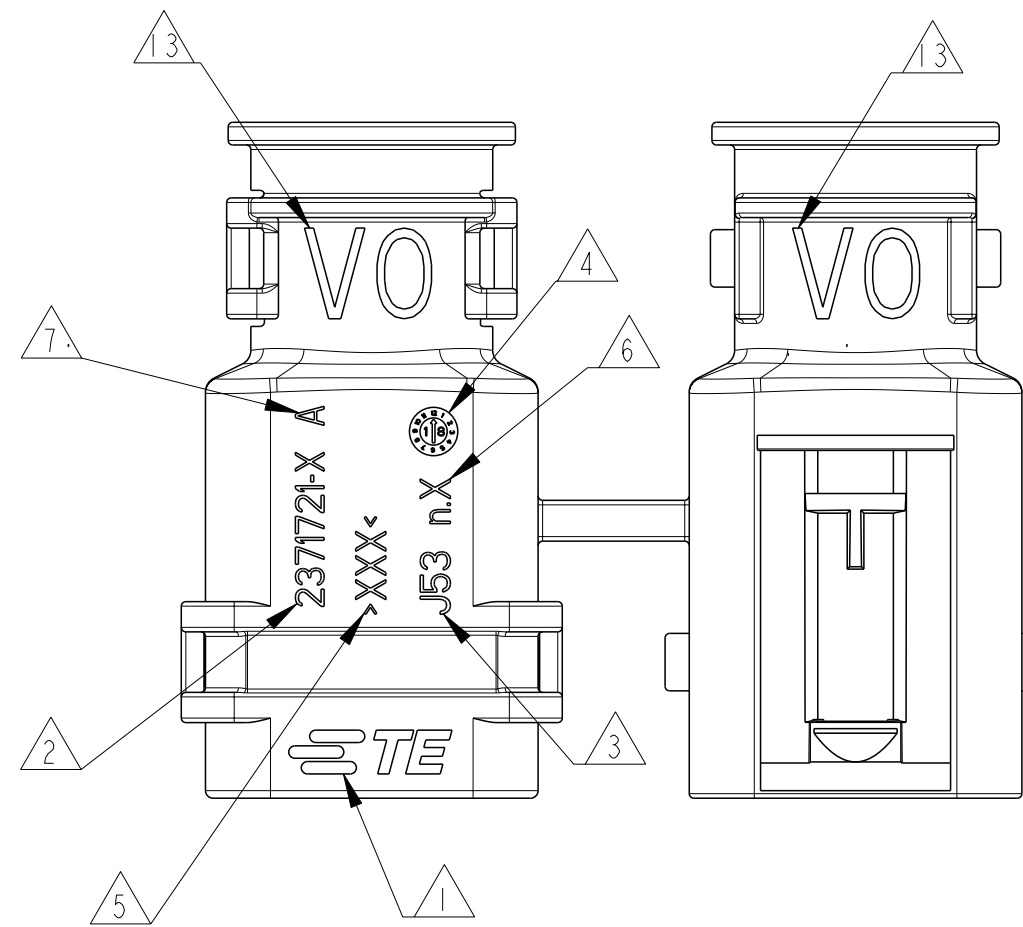
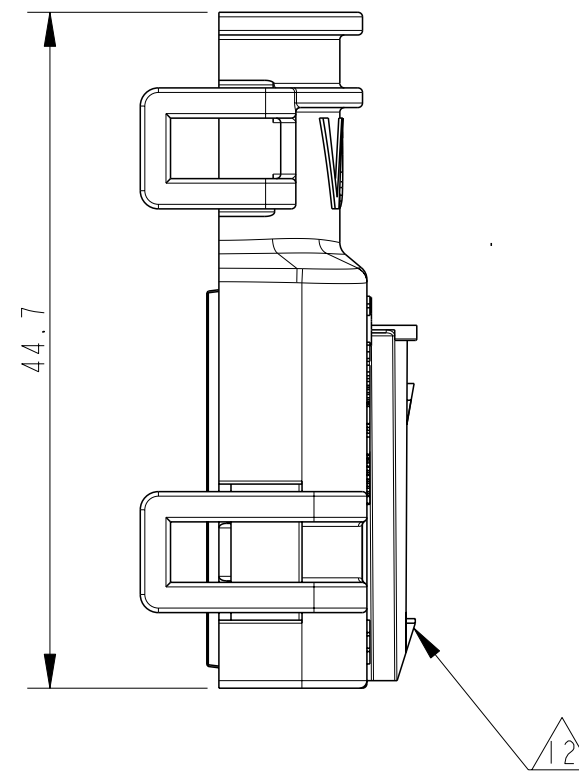
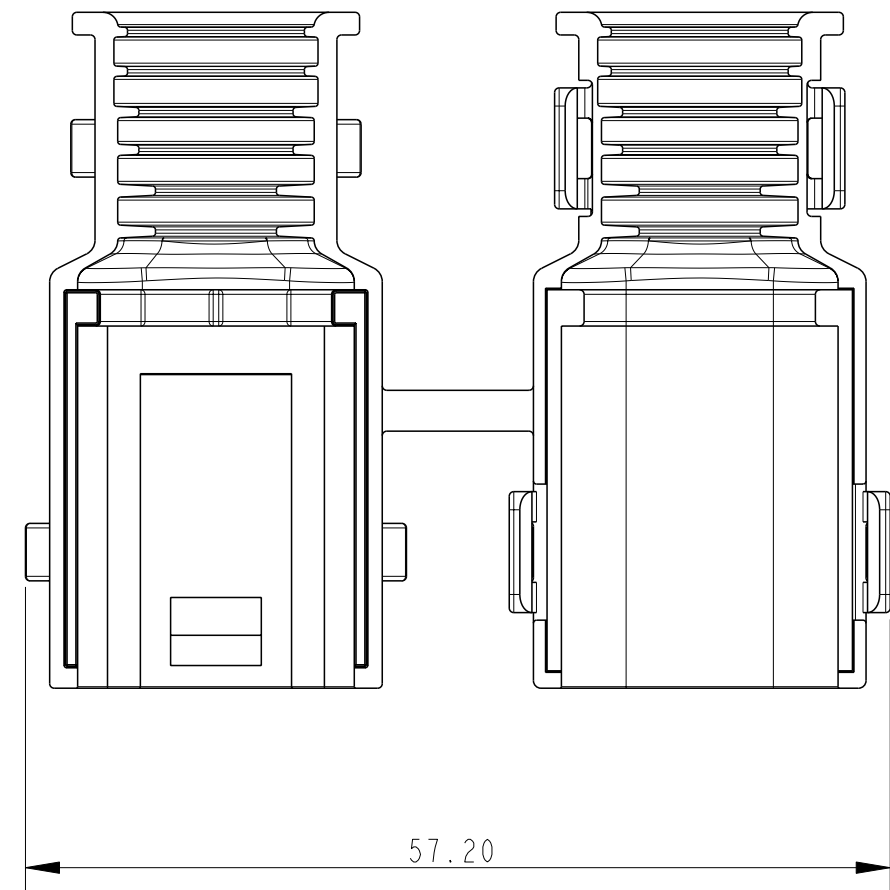


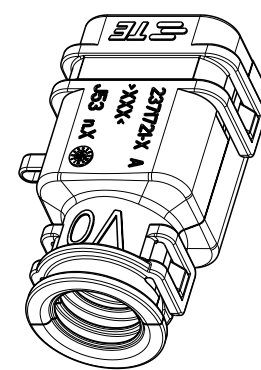
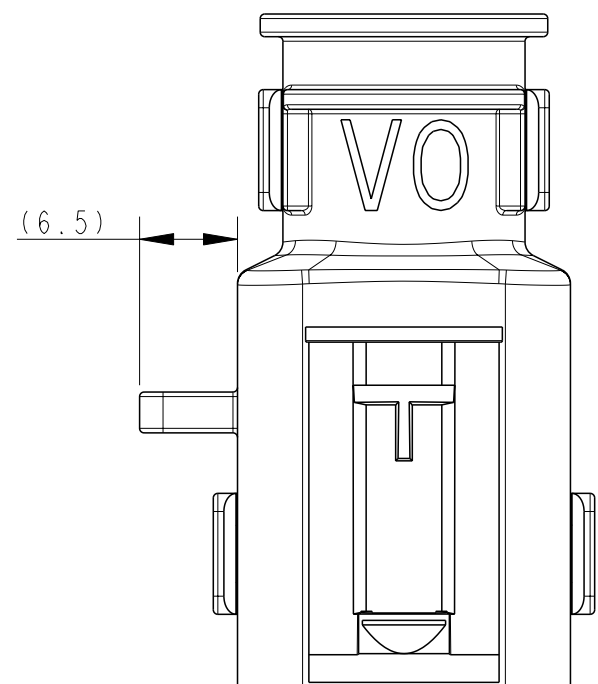
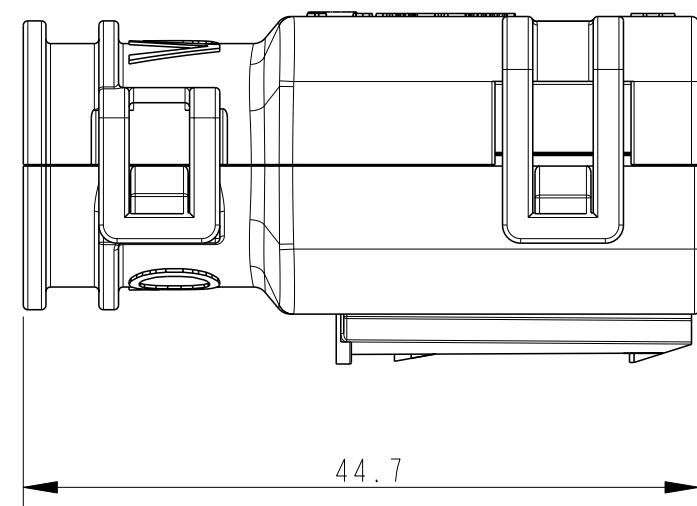
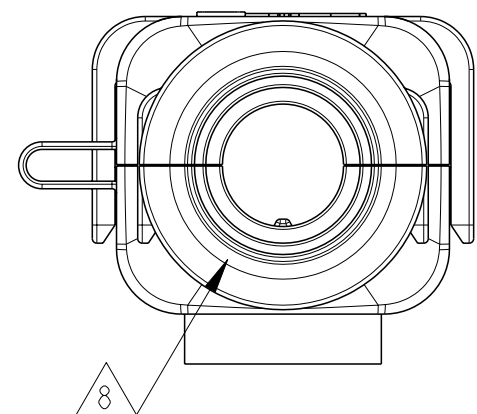
DELIVERY CONDITION AS SHOWN



SCALE 1:1



CLOSED(MOUNTED) CONDITION AS SHOWN



SCALE 1:1

REVISIONS

| P | LTR | DESCRIPTION | DATE | DWN | APVD |
|----|-----|-----------------|-----------|-----|------|
| A | | INITIAL RELEASE | 26APR2020 | N.S | I.Y |
| AI | | ECR-20-009371 | 01JUL2020 | N.S | I.Y |

NOTES:

- 1. TE LEGO
- 2. TE PART NO.
- 3. MANUFACTURING LOCATION.
- 4. DATE CODE.
- 5. MATERIAL MARKING
- 6. MOULD CAVITY MARKING
- 7. PART REVISION
- 8. FOR CORRUGATED TUBE: NW6/7.5/8.5/10.
- 9. P/N:2371721 USED ON SSP REC 4P P/N:2356631 AND DT04-4P-XXXX NO CAP VERSION
- 10. BULK PACKAGING IN CORRUGATED BOX
- 11. BASED ON THE HINGE MECHANISM, THE DELIVERY CONDITION CAN BE DIFFERENT TO THE SHOWN STATUS.
- 12. SWALLOW TAIL FOR DIVERSE BRACKETS AND ATTACHMENT CLIPS
- 13. VO MARK, ONLY SHOWS ON PN:2371721-2

| TE P/N | REV | COLOR | MATERIAL | DESCRIPTION | ITEM |
|-----------|-----|-------|----------|--|------|
| 2371721-2 | A | BLACK | PA66 | 180DEG TAB HSG BACKSHELL FOR SUPERSEAL PRO 4P(V0 TYPE) | 2 |
| 2371721-1 | A | BLACK | PA6 | 180DEG TAB HSG BACKSHELL FOR SUPERSEAL PRO 4P(HB TYPE) | 1 |

| | | | | | |
|--|--|------------------------------|--|--|--|
| THIS DRAWING IS A CONTROLLED DOCUMENT. | | DWN N. SONG 23APR2020 | TE Connectivity | | |
| DIMENSIONS: mm | | CHK E. JIANG 23APR2020 | | | |
| TOLERANCES UNLESS OTHERWISE SPECIFIED: | | APVD I. YIN 23APR2020 | NAME TAB HSG BACKSHELL, 4POS, SSP, 180DEG | | |
| 0 PLC ±0.5 | | PRODUCT SPEC | - | | |
| 1 PLC ±0.3 | | APPLICATION SPEC | - | | |
| 2 PLC ± | | WEIGHT | - | | |
| 3 PLC ± | | CUSTOMER DRAWING | SCALE 2:1 SHEET 1 OF 1 REV AI | | |
| 4 PLC ± | | | | | |
| ANGLES ± | | | | | |
| FINISH - | | | | | |
| MATERIAL SEE TABLE | | | | | |