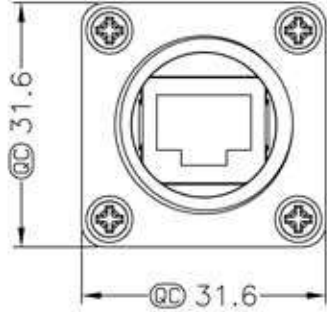
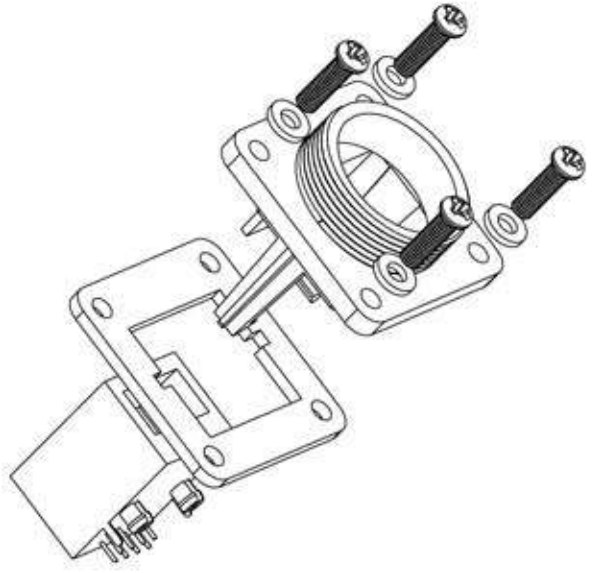
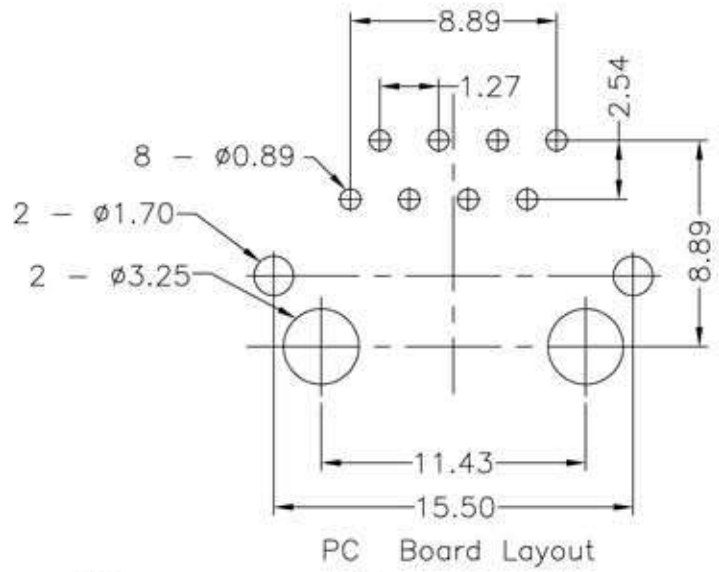


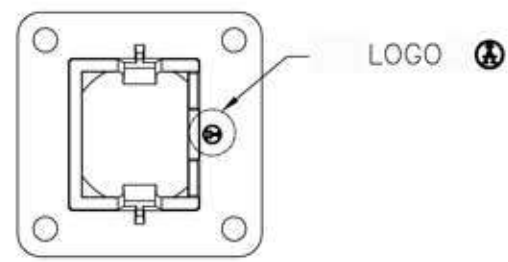
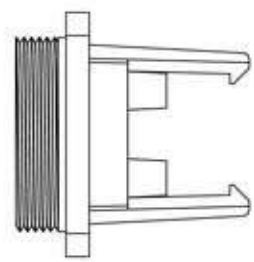
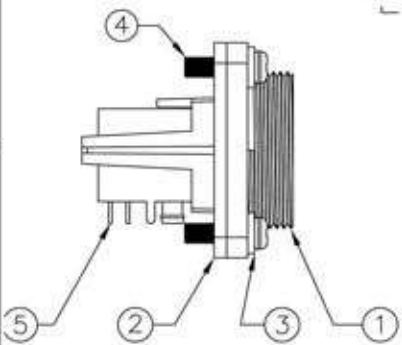
A

A



D

D



E

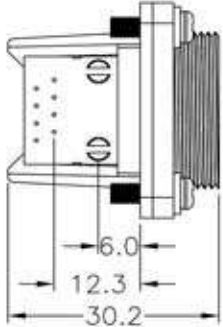
E

- Note:**
- Waterproof Rate:IP67
  - Connector:Black,ABS
  - Set ②③④ in One 1# Zipper Bag

Recommended cap part# A-WP-COVER1-R

F

F



G

G

Scale	1:1						Name	Item No.
TOLERANCE					Drawn	2/17/12	Miller	<b>A-RJ45-DFR-R</b>
X.X	±0.40				Approved	2/17/12	Warner	
X.XX	±0.25							RJ45 Shielded Jack
X.XXX	±0.15							Drawing No.
Angle	±3°							rev00
								Replace
								Sheet



H

H