

**MICRO SWITCH**  
 FREEPORT ILLINOIS U S A  
 A DIVISION OF HONEYWELL  
 FED. MFG. CODE 91929

**SWITCH - TOGGLE**  
**ABOVE PANEL MOUNT**

CATALOG LISTING  
**2TP7 SERIES**  
**CHART 1**

THIS DRAWING COVERS A PROPRIETARY ITEM AND IS THE PROPERTY OF MICRO SWITCH A DIVISION OF HONEYWELL THIS DRAWING IS NOT TO BE COPIED OR USED WITHOUT THE APPROVAL OF MICRO SWITCH.

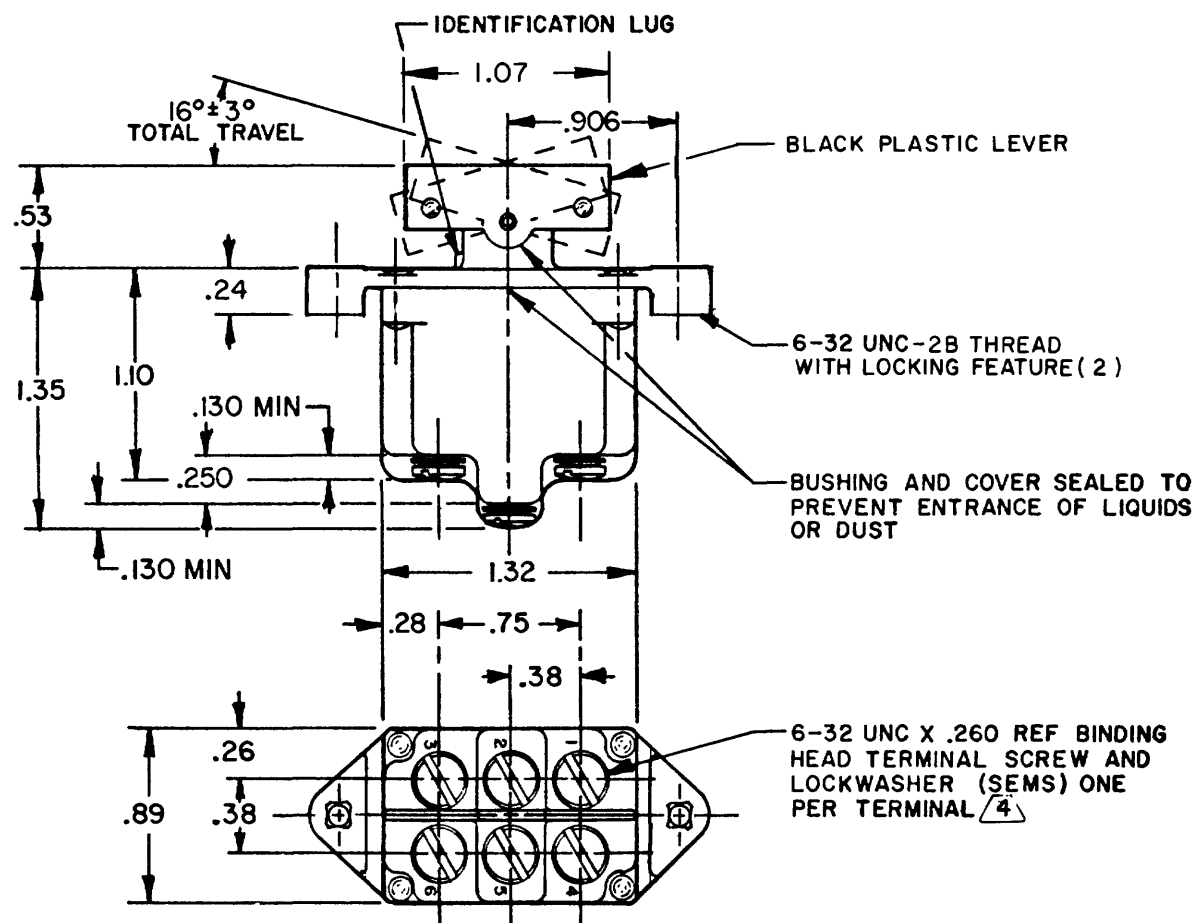
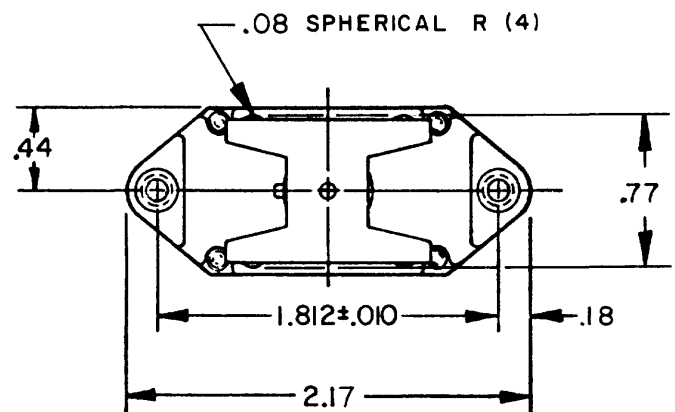
CATALOG LISTING  
**2TP7 SERIES CHART 1**  
 PAGE 1 OF 1

ISSUE  
**M**  
 9

REVISIONS

A	DBS DWG	CO36515
B	K S W	18 FEB 76
B	RE-IN	CO78497
C	J A F	21 JUN 94
C	CO-	95612
D	J J A	1 OCT 99
D	CO94415	
E	TSM	24 NOV 99
E	203709	
	C S L	10 SEP 01

RELEASE NO CO-78497  
 CHECK  
 KAG 7 JUL 94  
 JAF 21 JUN 94  
 DRAWN  
 RASTER



CATALOG LISTING	CIRCUIT MADE WITH BUTTON DEPRESSED ON		
	LUG SIDE (1-2,4-5)	CENTER (1-2,4-5)	OPPOSITE LUG (2-3,5-6)
2TP7-1	ON	OFF	ON
2TP7-2	OFF	NONE	ON
2TP7-3	ON	NONE	ON
2TP7-21	NONE	OFF	ON
2TP7-31	NONE	ON	ON
(E)	MOM OFF	NONE	ON
2TP7-5	MOM ON	OFF	ON
(E)	MOM ON	NONE	OFF
2TP7-7	MOM ON	OFF	MOM ON
2TP7-8	MOM ON	NONE	ON
2TP7-51	NONE	ON	MOM ON
2TP7-61	MOM ON	OFF	NONE

ELECTRICAL DATA

L 191  
 15A 125, 250, 277 VAC  
 1/2 HP 125 VAC;  
 1 HP 250, 277 VAC  
 5A 125 VAC "L"

L 192  
 10A 125, 250, 277 VAC  
 1/4 HP 125 VAC,  
 1/2 HP 250, 277 VAC  
 3A 125 VAC "L"

BUTTON COLOR CODE (5)

COLOR IDENTIFICATION	COLOR
W	WHITE
R	RED
Y	YELLOW
BK	BLACK
G	GREEN
BL	BLUE
T	TRANSPARENT

NOTES

- SWITCH WILL WITHSTAND TEMPERATURE OF 160°F CONTINUOUSLY AT FULL RATED LOAD
- MICRO SWITCH CATALOG LISTING MARKED ON SIDE OF SWITCH
- APPLIES ONLY TO "ON" AND "MOMENTARY ON" POSITIONS
- SCREWS FURNISHED UNASSEMBLED
- SUFFIX MUST BE ADDED FOR DESIRED BUTTON COLOR (EXAMPLE: 2TP7-1-W)

THIRD ANGLE PROJECTION

SCALE FULL

DO NOT SCALE PRINT

TOLERANCES  
 APPLY TO DESIGN UNITS. CONVERSIONS ARE ONLY FOR REFERENCE UNLESS NOTED. TOLERANCES ARE ±

DIM.	TOL.	DIM.	TOL.
in	mm/in	in	mm/in
NO PLACES	X	1/64	
ONE PLACE	X,X	0.4/018	X,X 0.8/05
TWO PLACES	X,XX	0.15/008	X,XX 0.38/016
THREE PLACES	X,XXX	0.15/008	X,XXX 0.15/008

DESIGN UNITS  SI METRIC  US CUSTOMARY

RAW MATERIAL - COMMERCIAL STANDARD  
 MICRO SWITCH STANDARDS APPLY  
 DIMENSIONS ARE TO BE MEASURED BEFORE PROTECTIVE COATINGS ARE APPLIED

WEIGHT .14 LB EST