

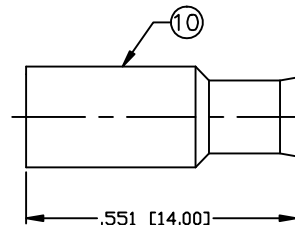
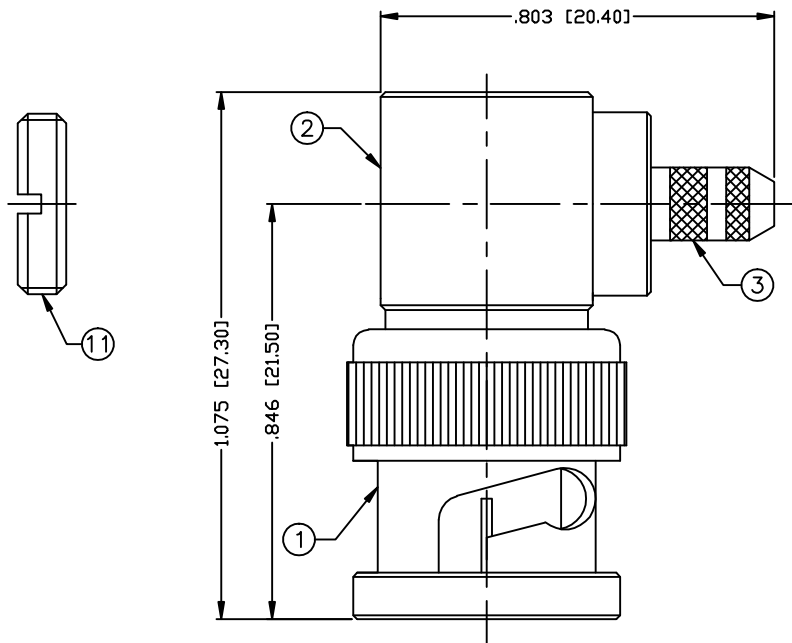
THIS DRAWING CONTAINS INFORMATION PROPRIETARY TO RF INDUSTRIES,  
 ANY UNAUTHORIZED USE OF THIS DRAWING IS EXPRESSLY PROHIBITED  
 WITHOUT WRITTEN PERMISSION FROM RF INDUSTRIES.  
 ANY VIOLATION IS PUNISHABLE UNDER U.S. COPYRIGHT LAWS.

ALL DIMENSIONS ARE REFERENCE ONLY

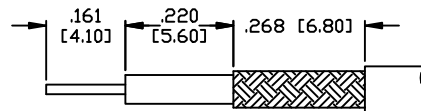
PART NO.

**RFB-1710-S**

REV	DESCRIPTION	DWN	DATE	APPROVED
-	ENGINEERING RELEASE	CZS	9/22/98	JDMc
A	CHANGED DIELECTRIC TO PTFE FROM DELRIN	JDM	9/22/98	JDMc



RECOMMENDED CRIMP DIE: .178"



RECOMMENDED STRIPPING DIMENSIONS

**SPECIFICATIONS:**

IMPEDANCE: 75 Ohms  
 FREQUENCY RANGE: 0-1 GHz  
 WORKING VOLTAGE: 500 V rms @ sea level  
 TEMPERATURE RANGE: -65°C TO 85°C  
 INSULATION RESISTANCE: 5k M Ohms min.  
 FOR RG-161, 179, 179A, 187 & 187A/U CABLE

1	SHELL	1	BRASS	NICKEL, 100 μ"	008974	
2	BODY	1	BRASS	NICKEL, 100 μ"		
3	FERRULE STUD	1	BRASS	NICKEL, 100 μ"		
4	INSULATOR	1	PTFE	WHITE		
5	PIN	1	BRASS	GOLD, 3 μ"		
6	GASKET	1	RUBBER	---		
7	RETAINING RING	1	BRASS	NICKEL, 100 μ"		
8	SPRING	1	SK5	NICKEL, 200 μ"		
9	WASHER	1	BRASS	NICKEL, 100 μ"		
10	FERRULE	1	BRASS	NICKEL, 100 μ"		
11	SCREW CAP	1	BRASS	NICKEL, 100 μ"		
12					DRAWN JDM	10/16/07
13					CHECKED	
14					ORJ DRAWN C. ZUNIGA	5/18/04
#	DESCRIPTION	QTY	MATERIAL	FINISH	APPROVALS	DATE

UNLESS OTHERWISE SPECIFIED:

DIMENSIONS ARE IN INCHES  
 AND [MILLIMETERS]  
 UNLESS OTHERWISE NOTED  
 TOLERANCES ARE:

DECIMALS      DIAMETER

**RFconnectors**  
 DIVISION OF RF INDUSTRIES, LTD.

7610 MIRAMAR RD  
 SAN DIEGO, CA 92126  
 (858) 549-6340  
 (858) 549-6345 FAX

**BNC PLUG, CRIMP**

RIGHT ANGLE

SIZE	CABLE GROUP	DWG NO.	REV
A	S	RFB-1710-S	A
SCALE:	NTS	CAD FILE	OUTLINE
SHEET		1 OF 1	