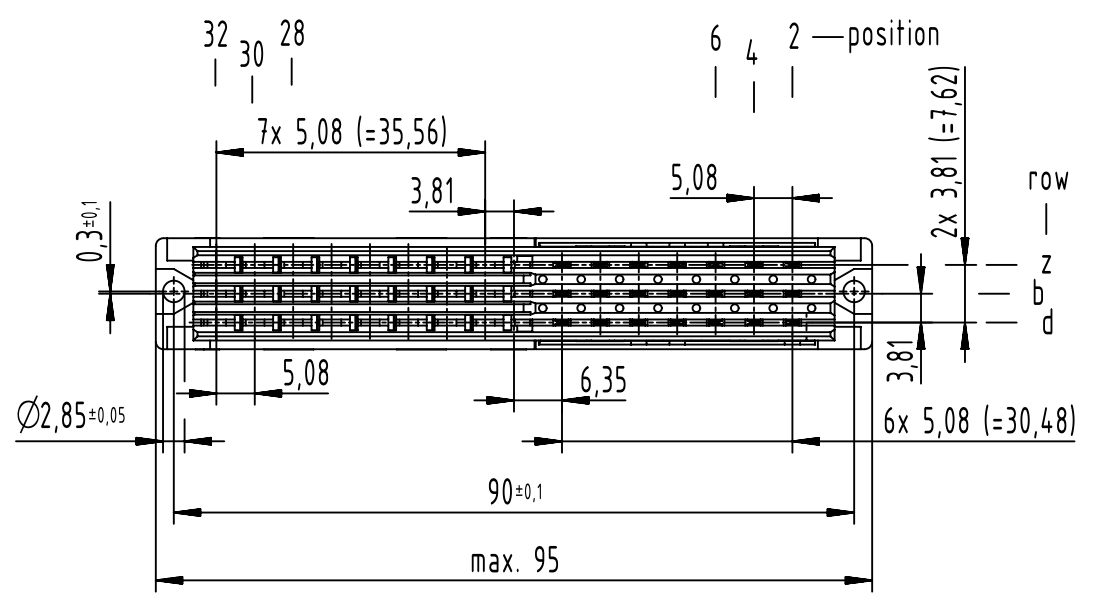
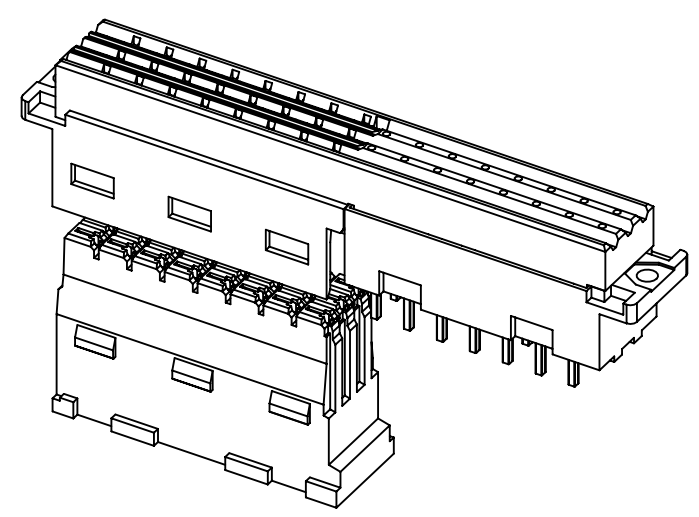
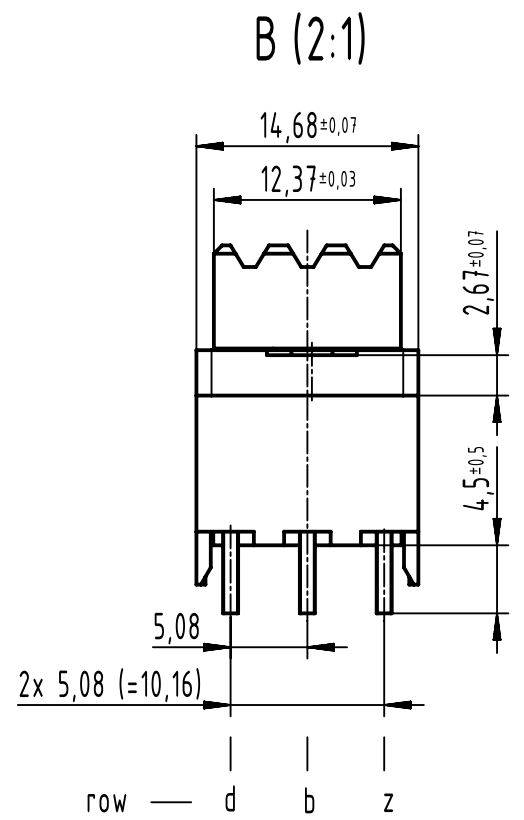
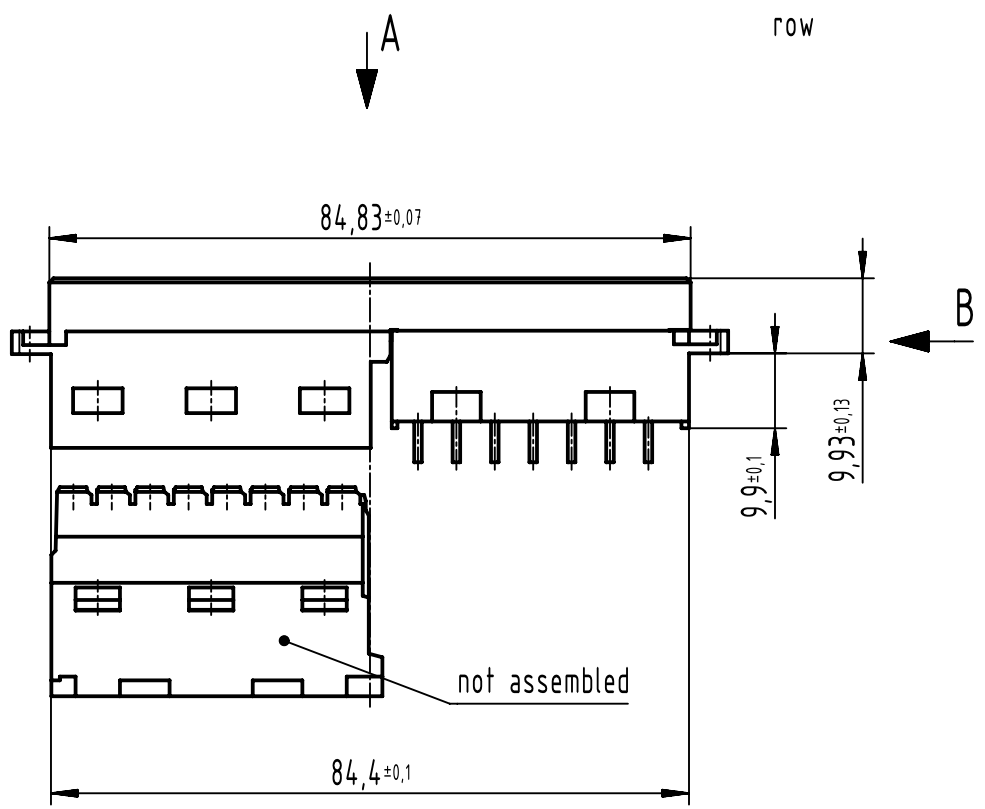


21 solder 1x1 - contacts

■ = position with contact

□ = position without contact



09 06 045 2875	1
part no.	performance level

further information see product data sheet

	All rights reserved	Created by LEHNERT	Inspected by LEHNERT	Standardisation 302077	Date 2021-05-18	State Final Release
	Department EL PD	Title DIN Power type FM female connector solder 1x1-crimp			Doc-Key / ECM-Nr. 100083224/UGD/009/C 500000194571	
HARTING D-32339 Espelkamp	Type TB	Number 0906045X875		Rev. C	Page 1/1	