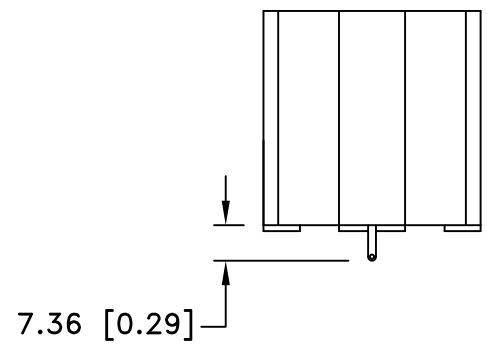
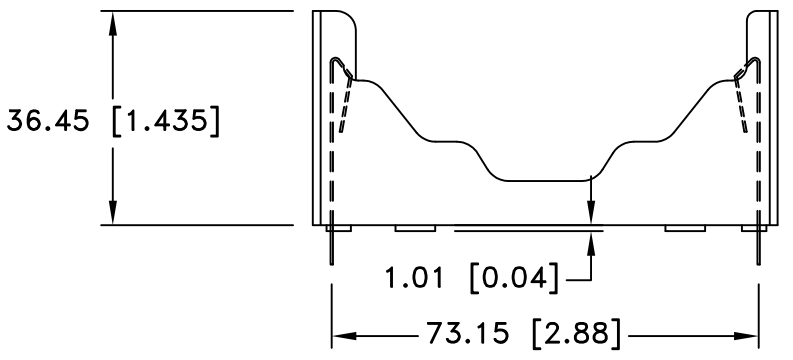
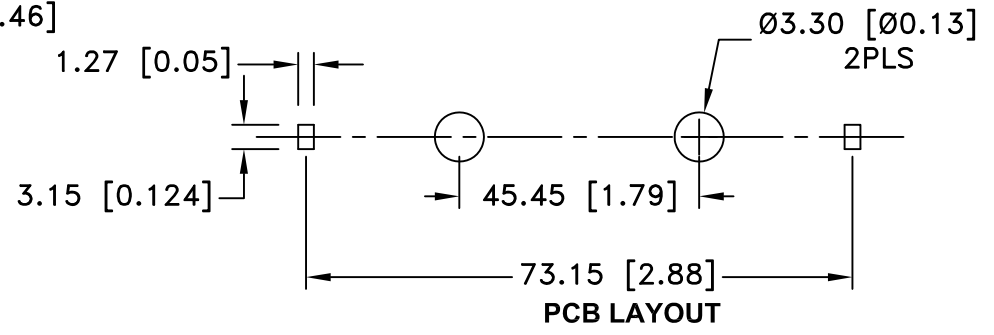
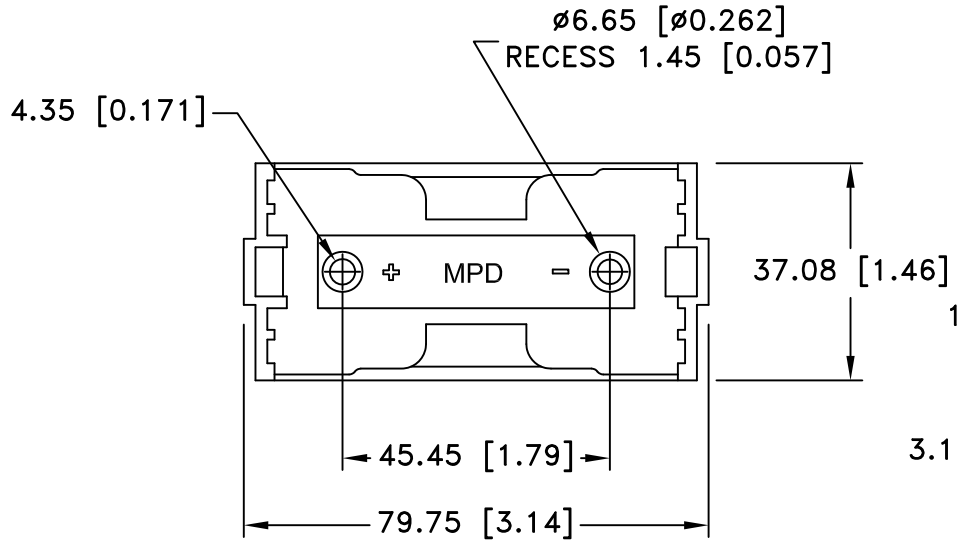



Date	SYM	REVISION RECORD	AUTH	DR.	CK.
8/20/10	A	Added Temperature Range	T.B.	B.S.	
6/13/14	B	Updated to RHOS 2 Compliant	T.B.	B.S.	
9/04/15	C	Updated Title	T.B.	B.S.	



NOTES:
MATERIAL:
 Holder: PBT, 30% Glass, Black, UL94V-0
 Temperature Range: -55°C TO +180°C
 Contacts: 302 Stn. Stl., Spring temper, Nickel Plated Overall
 Vibration Test: 10-50-10 Hz swept in 60 seconds
 X,Y,Z direction: 1 hour each direction, No dislodgement of the cell or damage, No discontinuity over 10 micro-seconds
 Shock Test: Half sine wave acceleration 150g. 6 milliseconds, 1 shock pulses each direction per axis, total of 6 pulses, No evidence of physical damage
ROHS 2 COMPLIANT

Tolerance (Except as noted)	 Memory Protection Devices, Inc 200 Broad Hollow Road, Farmingdale, New York 11735	Scale	Drawn By B.S.
			Approved By T.B.
decimal ±.5 (.020)	Title D CELL HOLDER WITH PC PINS		
Fractional ± .8 (.030)	Date 9/04/15	Drawing Number BHD-2	
Angular ± 3°			