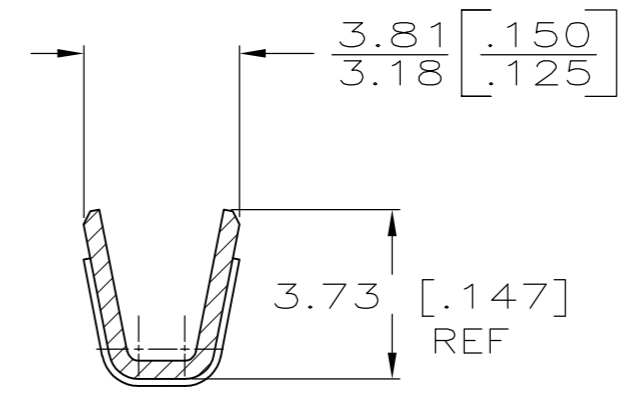
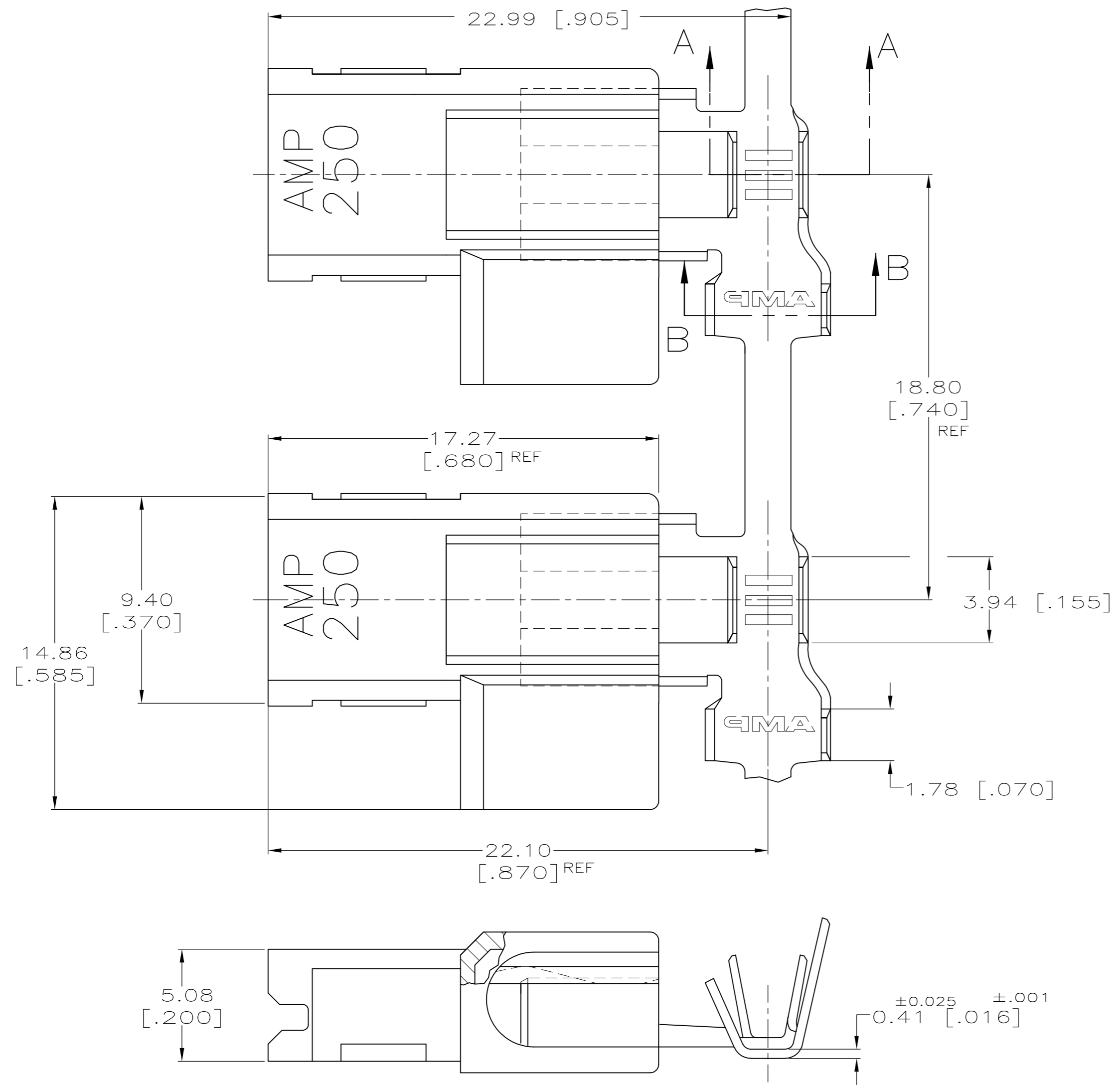


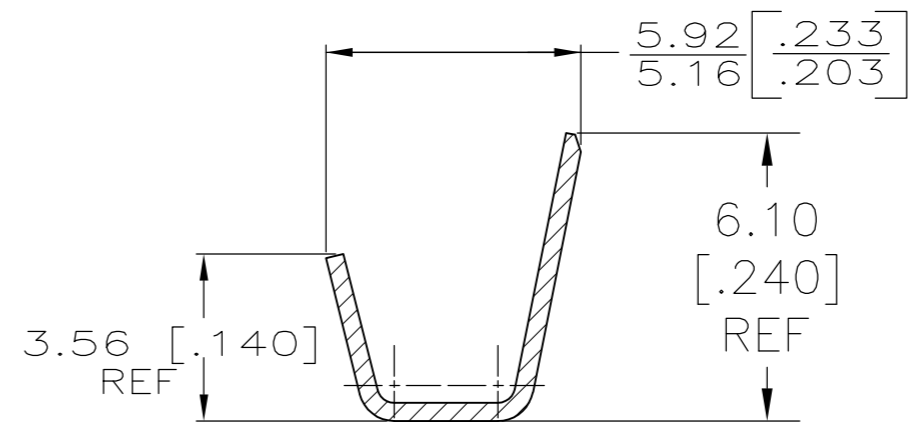
THIS DRAWING IS UNPUBLISHED. RELEASED FOR PUBLICATION
 © COPYRIGHT - By - ALL RIGHTS RESERVED.

LOC	DIST	REVISIONS			
P	LTR	DESCRIPTION	DATE	DWN	APVD
AF	50				
	A4	REVISED PER ECR-12-013219	08JAN13	KH	KR

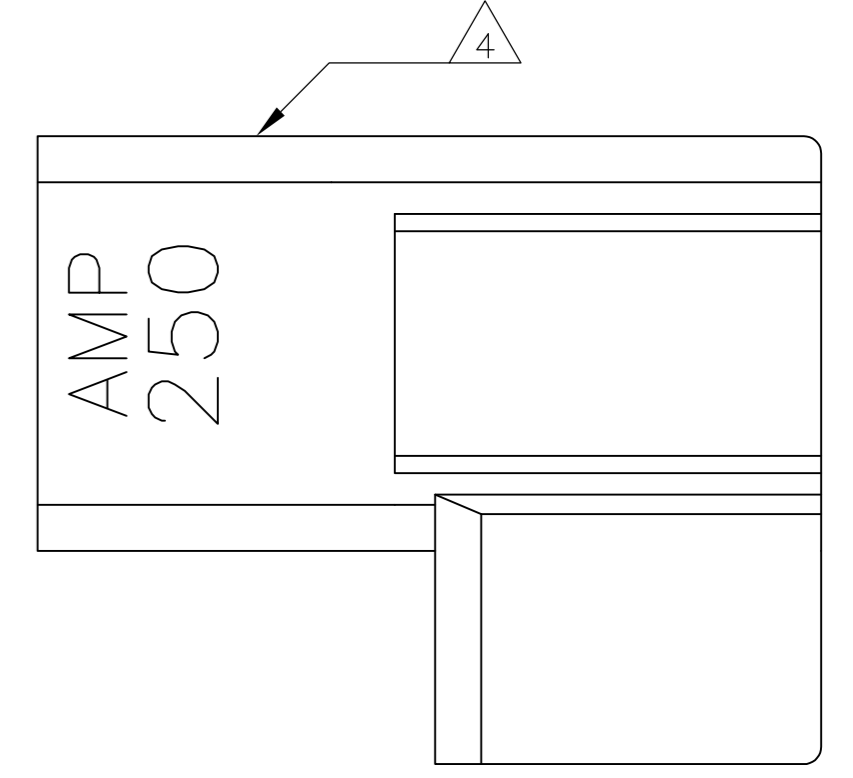
- 1 BUDGET FLAG FASTON TERMINALS, BASE P/N 63559, ARE USED IN THIS PRODUCT.
- 2 WIRE SIZE [#18-#14] AWG.
- 3 INSULATION RANGE IS 2.79-4.06 [.110-.160] DIA.
- △4 ALTERNATIVE HOUSING FORM
- △5 PRE-PRODUCTION - FASR REQUIRED.
- △6 GLOW WIRE APPROVED; CONTACT TE ENGINEERING FOR SPECIFICATION (ALL WALL THICKNESSES ARE BETWEEN 0.4-3.0 [.015-.118])



SECTION A-A



SECTION B-B



STANDARD	V2 NYLON/NATURAL (WHITE) V2 NYLON/NATURAL (WHITE)	TIN PLATE - BRASS PLAIN - BRASS	△5 △6 1969109-2 △6 1969109-1
PACKAGING	HOUSING MATERIAL / COLOR	TERMINAL FINISH - MATERIAL	PART NO
THIS DRAWING IS A CONTROLLED DOCUMENT.		DWN 05APR2007 RAGHAVENDRA H M CHK 05APR2007 G D PORTA APVD 05APR2007 G D PORTA	 TE Connectivity ASSEMBLY, RECEPTACLE, FLAG, ULTRA-POD, 6.35 [.250] SERIES
DIMENSIONS: mm [INCHES]	TOLERANCES UNLESS OTHERWISE SPECIFIED: 0 PLC ± - 1 PLC ± - 2 PLC ± - 3 PLC ± 0.25 [.010] 4 PLC ± - ANGLES ± - FINISH SEE TABLE	PRODUCT SPEC 108-1285 APPLICATION SPEC 114-2124 WEIGHT -	
MATERIAL SEE TABLE	FINISH SEE TABLE	CAGE CODE 00779	DRAWING NO C=1969109
CUSTOMER DRAWING		SCALE 6:1	SHEET 1 OF 1