

**Product Brief****AK7454****Zero Latency Angle Sensor IC****1. General Description**

The AK7454 is a Silicon monolithic Hall-Effect sensor IC that specializes in detecting rotation angle. A contactless absolute magnetic rotary encoder is easily designed with the AK7454 and a magnet.

The AK7454 is only sensitive to the magnetic flux density applied parallel to the IC surface. This is obtained through a magnetic concentrator which is mounted on the Hall-Effect elements. It is advantageous to accurate angular measurements against mechanical displacement.

The AK7454 has built-in EEPROMs for angle INL error calibration function. It is possible to reduce the error caused by mounting misalignment etc. by writing the calibration value obtained by external calculation into them.

By using these EEPROMs calibration function, it is possible to use not only in the Shaft-End configuration (end of shaft) but also in the Off-Axis configuration (side of shaft).

The AK7454 is the zero latency rotary angle sensor to follow rotation speed up to 25,000rpm by tracking servo architecture. It is suitable for motor controlled applications with an encoder.

2. Applications

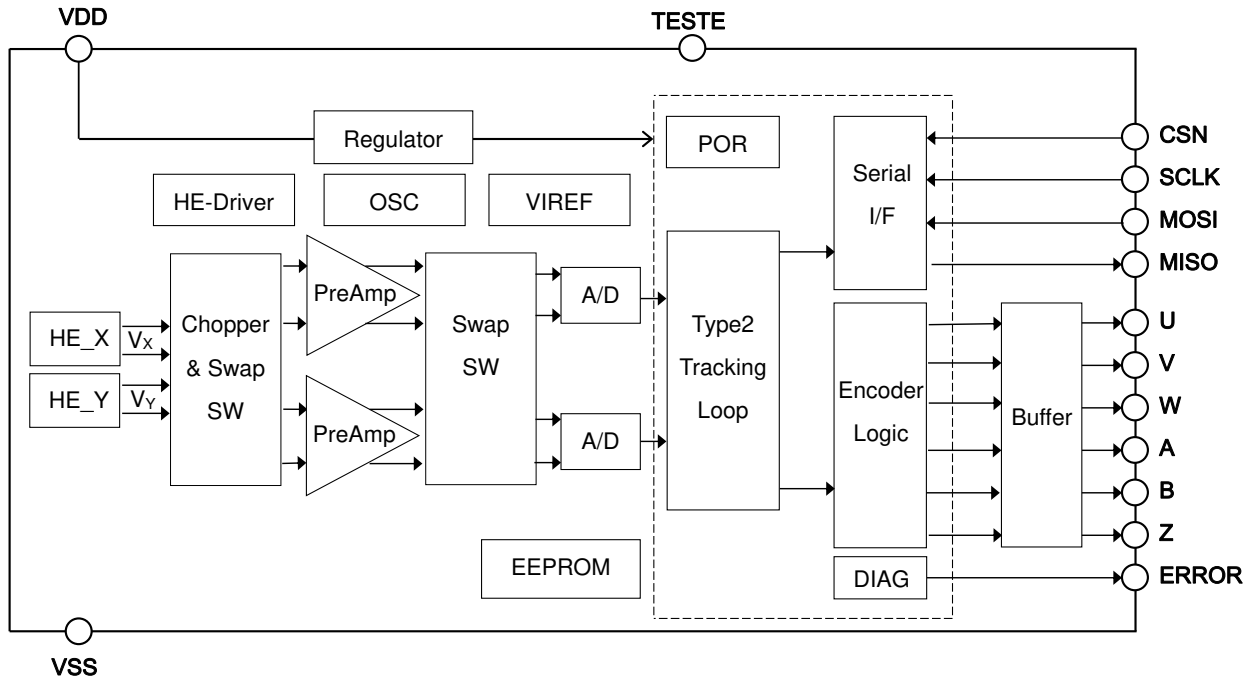
Motor Controlled Applications (Robot, Machine tools, Stepping motor, DC brushless motor etc.)
Optical Encoder Replacement

3. Features

- 360° Contactless Angle Sensor
- Shaft-End (end of shaft) and Off-Axis (side of shaft) Configuration Available
- Operating Temperature : -40 to +125°C
- Supply Voltage : 3.0 to 5.5V
- Magnetic Field Range : 30 to 70mT (Shaft-End), 10 to 70mT (Off-Axis)
- Angle Resolution : 14-bit
- Maximum Tracking Rotation Speed : 25,000 rpm
- INL : $\pm 0.5^\circ$ (25°C, w/o calibration, Shaft-End), $\pm 0.1^\circ$ (25°C, w/ calibration typ. value)
- Output Delay : 1.2 μ s (ABZ Hysteresis "OFF" setting)
- Self-diagnostic Functions
 - Under Magnetic Flux Density Detection
 - Tracking Lost Detection
- Interfaces
 - 4-wire SPI : Absolute Angle Data & User Programming
 - ABZ Incremental Output
 - UVW Commutation Output
- User Programming Functions
 - ABZ (SPI) / UVW Independently Settable Zero Point
 - Magnet Rotation Direction : CCW / CW
 - ABZ Incremental Output Resolution : up to 4096ppr
 - Z-phase Signal Phase Setting : 4 Edges Selectable
 - Z-phase Pulse Width : 1 to 16384 LSB
 - UVW Commutation Output Resolution : up to 64poles (32 pole pairs)
 - Angle INL Error Calibration Function

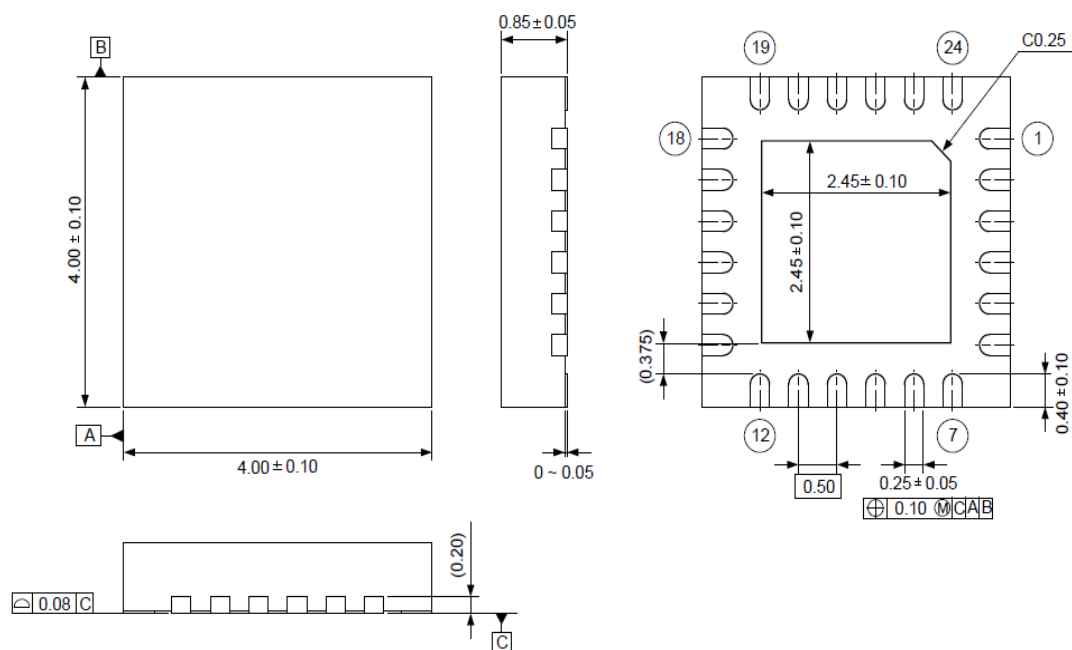
- Package
 - 24pin - QFN 4.0mm x 4.0mm x 0.85mm (typ)
- Environmental Friendly (RoHS Compliant)
 - Lead free
 - Halogen free

4. Block Diagram



5. Package Information

24pin - QFN Package Dimension



6. Pin List and Functional Description

No.	Pin Name	I/O	Type	Functional Description
1	W	O	Digital	W-phase Commutation Output
2	V	O	Digital	V-phase Commutation Output
3	U	O	Digital	U-phase Commutation Output
4	MISO	O	Digital	Serial I/F Data Output
5	MOSI	I	Digital	Serial I/F Data Input
6	SCLK	I	Digital	Serial I/F Clock Input
7	CSN	I	Digital	Serial I/F Chip Select
8	NC	-	-	No Connection (Note1)
9	NC	-	-	No Connection (Note1)
10	NC	-	-	No Connection (Note1)
11	VDD	-	Power	Power Supply
12	NC	-	-	No Connection (Note1)
13	TESTE	I	-	Test (Note2)
14	VSS	-	Power	Ground
15	ERROR	O	Digital	Error Output
16	Z	O	Digital	Z-phase Incremental Output
17	B	O	Digital	B-phase Incremental Output
18	A	O	Digital	A-phase Incremental Output
19	NC			No Connection (Note1)
20	NC			No Connection (Note1)
21	NC			No Connection (Note1)
22	NC			No Connection (Note1)
23	NC			No Connection (Note1)
24	NC			No Connection (Note1)
TAB	TAB			Back Tab (Note3)

Note1: NC pins must be open.

Note2: TESTE pin must be connected to VSS.

Note3: Back Tab must be open.

Important Notice

IMPORTANT NOTICE

0. Asahi Kasei Microdevices Corporation ("AKM") reserves the right to make changes to the information contained in this document without notice. When you consider any use or application of AKM product stipulated in this document ("Product"), please make inquiries the sales office of AKM or authorized distributors as to current status of the Products.
1. All information included in this document are provided only to illustrate the operation and application examples of AKM Products. AKM neither makes warranties or representations with respect to the accuracy or completeness of the information contained in this document nor grants any license to any intellectual property rights or any other rights of AKM or any third party with respect to the information in this document. You are fully responsible for use of such information contained in this document in your product design or applications. **AKM ASSUMES NO LIABILITY FOR ANY LOSSES INCURRED BY YOU OR THIRD PARTIES ARISING FROM THE USE OF SUCH INFORMATION IN YOUR PRODUCT DESIGN OR APPLICATIONS.**
2. The Product is neither intended nor warranted for use in equipment or systems that require extraordinarily high levels of quality and/or reliability and/or a malfunction or failure of which may cause loss of human life, bodily injury, serious property damage or serious public impact, including but not limited to, equipment used in nuclear facilities, equipment used in the aerospace industry, medical equipment, equipment used for automobiles, trains, ships and other transportation, traffic signaling equipment, equipment used to control combustions or explosions, safety devices, elevators and escalators, devices related to electric power, and equipment used in finance-related fields. Do not use Product for the above use unless specifically agreed by AKM in writing.
3. Though AKM works continually to improve the Product's quality and reliability, you are responsible for complying with safety standards and for providing adequate designs and safeguards for your hardware, software and systems which minimize risk and avoid situations in which a malfunction or failure of the Product could cause loss of human life, bodily injury or damage to property, including data loss or corruption.
4. Do not use or otherwise make available the Product or related technology or any information contained in this document for any military purposes, including without limitation, for the design, development, use, stockpiling or manufacturing of nuclear, chemical, or biological weapons or missile technology products (mass destruction weapons). When exporting the Products or related technology or any information contained in this document, you should comply with the applicable export control laws and regulations and follow the procedures required by such laws and regulations. The Products and related technology may not be used for or incorporated into any products or systems whose manufacture, use, or sale is prohibited under any applicable domestic or foreign laws or regulations.
5. Please contact AKM sales representative for details as to environmental matters such as the RoHS compatibility of the Product. Please use the Product in compliance with all applicable laws and regulations that regulate the inclusion or use of controlled substances, including without limitation, the EU RoHS Directive. AKM assumes no liability for damages or losses occurring as a result of noncompliance with applicable laws and regulations.
6. Resale of the Product with provisions different from the statement and/or technical features set forth in this document shall immediately void any warranty granted by AKM for the Product and shall not create or extend in any manner whatsoever, any liability of AKM.
7. This document may not be reproduced or duplicated, in any form, in whole or in part, without prior written consent of AKM.