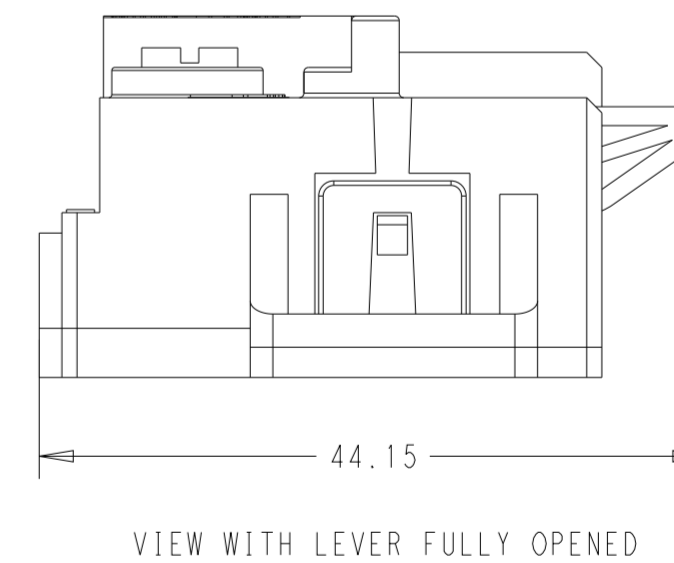
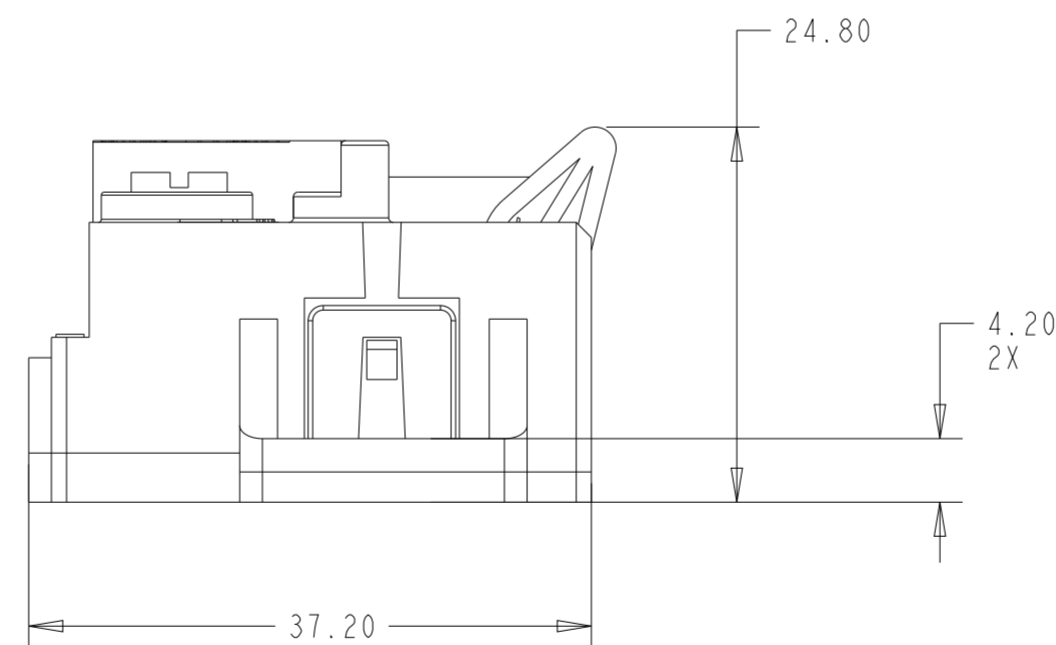
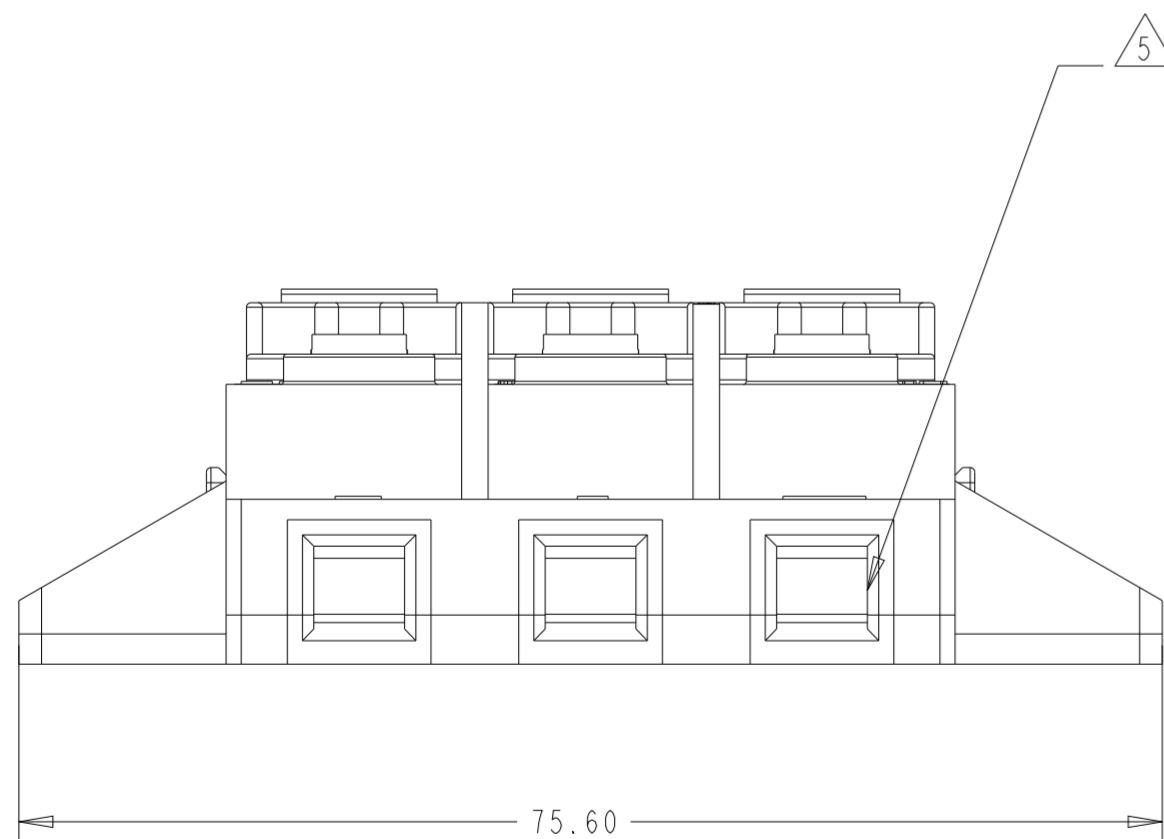
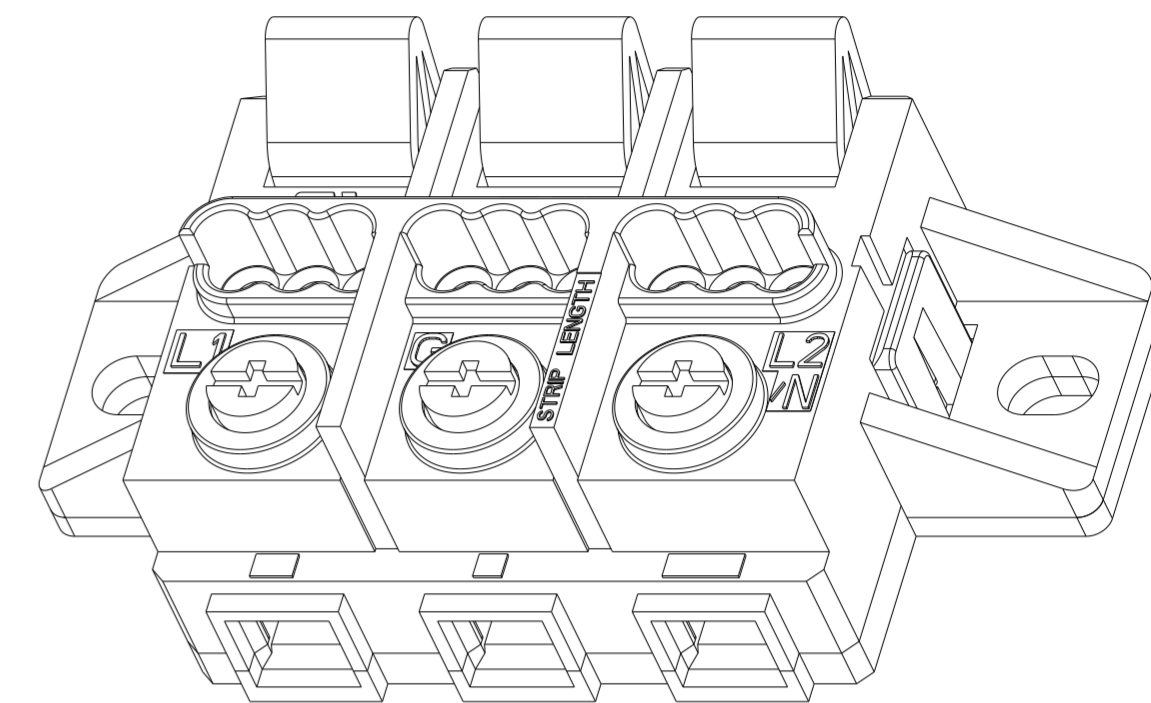
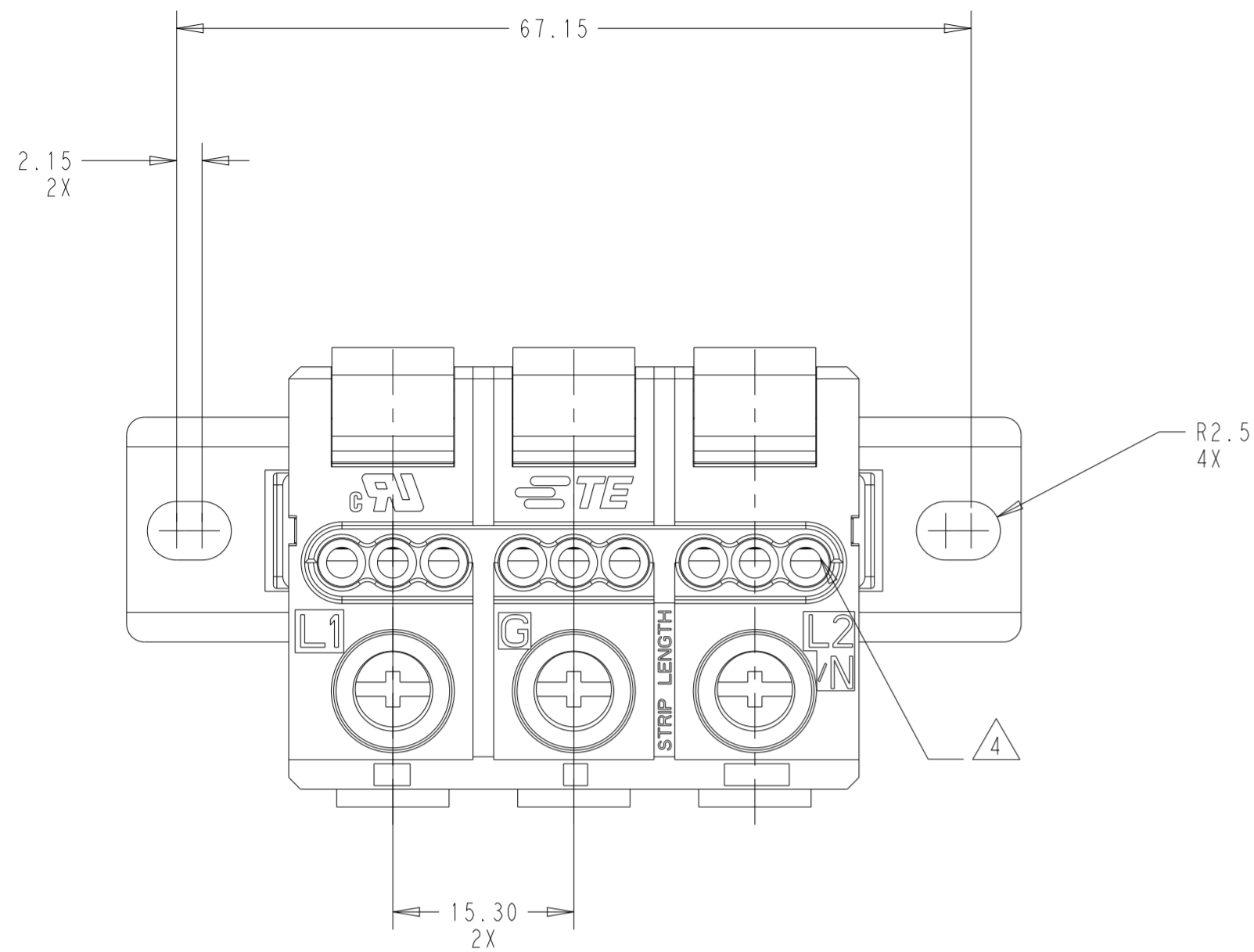


P	LTR	DESCRIPTION	DATE	DWN	APVD
A		INITIAL RELEASE	12MAY2022	SD	MM

NOTES:

- 1 MATERIALS AND FINISH:
  - HOUSING, LEVER, COVER: PBT
  - SPRING CONTACT: STAINLESS STEEL
  - CONTACTS: COPPER ALLOY, TIN PLATED
  - SCREW: STEEL, ZINC PLATED
2. MUST COMPLY WITH DIRECTIVE 2002/95/EC (ROHS)
3. THIS PRODUCT HAS NOT COMPLETED VALIDATION TESTING
- 4 SOLID AND STRANDED WIRE ONLY: 12-18AWG  
MAX INSULATION OD:  $\varnothing 4.2$   
STRIP LENGTH:  $13.00 \pm 0.50$
- 5 SOLID AND STRANDED WIRE ONLY: 6-14AWG  
MAX INSULATION OD:  $\varnothing 6.0$   
STRIP LENGTH:  $13.00 \pm 0.50$
- 6 COMBINATION SLOTTED PHILIPS SCREW. TORQUE 0.8-1.2 N-m.



2382635-1  
PART NO.

THIS DRAWING IS A CONTROLLED DOCUMENT.		DWN J. LATORRE 04FEB2021	TE Connectivity	
		CHK M. MOSTOLLER 04FEB2021		
DIMENSIONS: mm		APVD -	NAME LUMAWISE TB POWER INPUT TERMINAL BLOCK	
TOLERANCES UNLESS OTHERWISE SPECIFIED: 0 PLC $\pm$ 1 PLC $\pm 0.2$ 2 PLC $\pm 0.13$ 3 PLC $\pm$ 4 PLC $\pm$ ANGLES $\pm$ FINISH $\pm$		PRODUCT SPEC 108-160129	RESTRICTED TO -	
MATERIAL		APPLICATION SPEC 114-160073	SIZE A2	CAGE CODE 00779
		WEIGHT -	DRAWING NO C-2382635	
		CUSTOMER DRAWING	SCALE 2:1	SHEET 1 OF 1
			REV A	