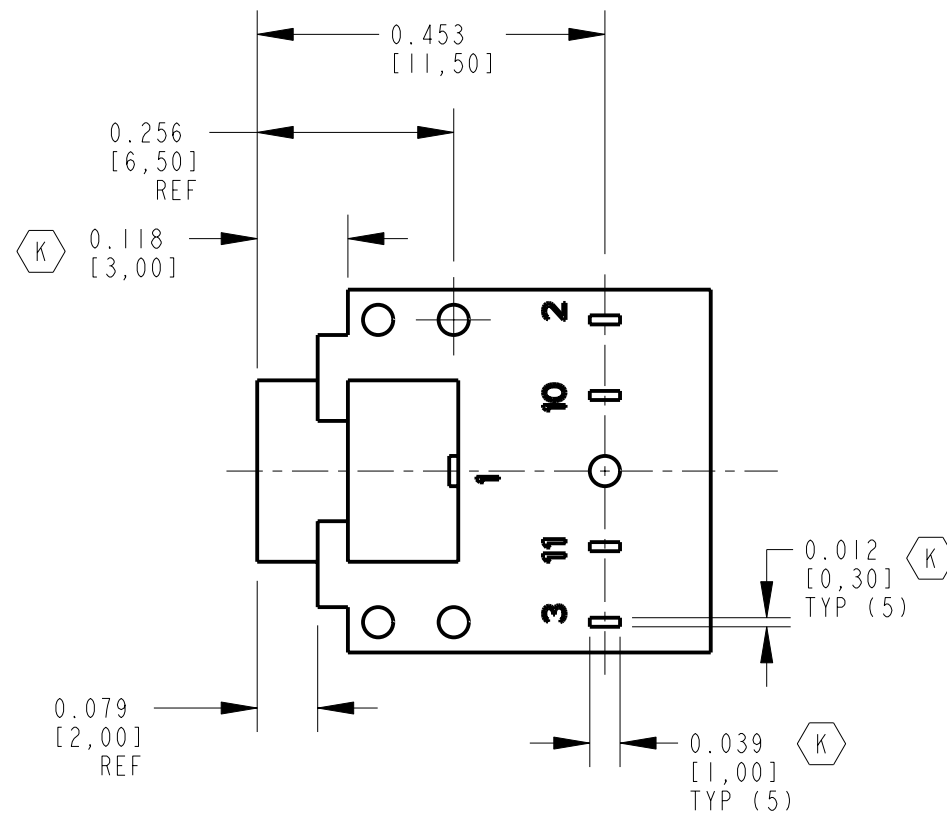
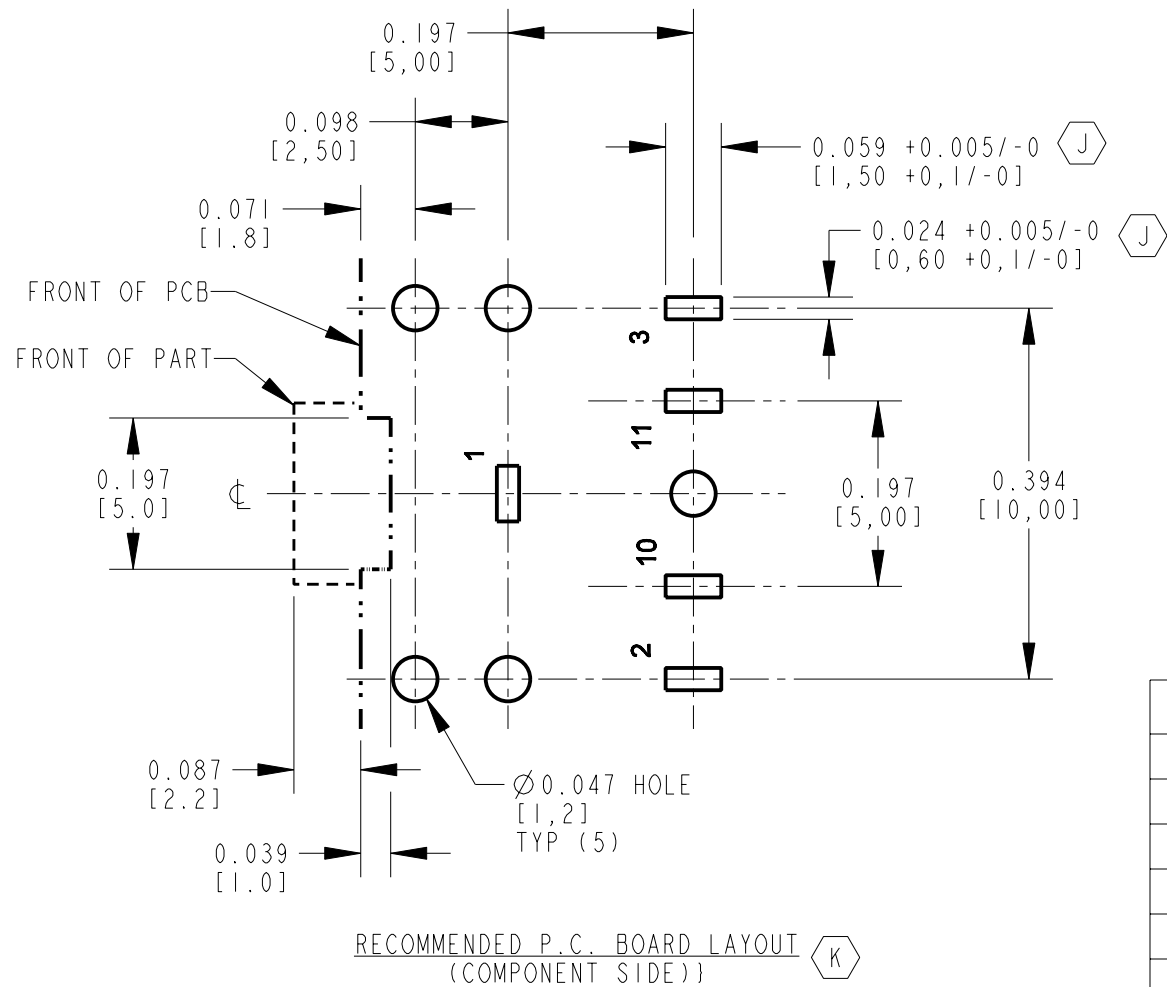
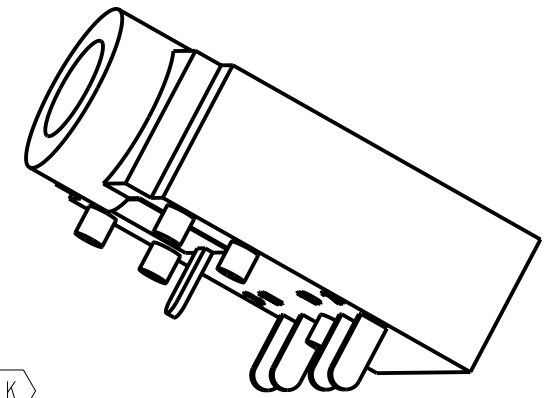
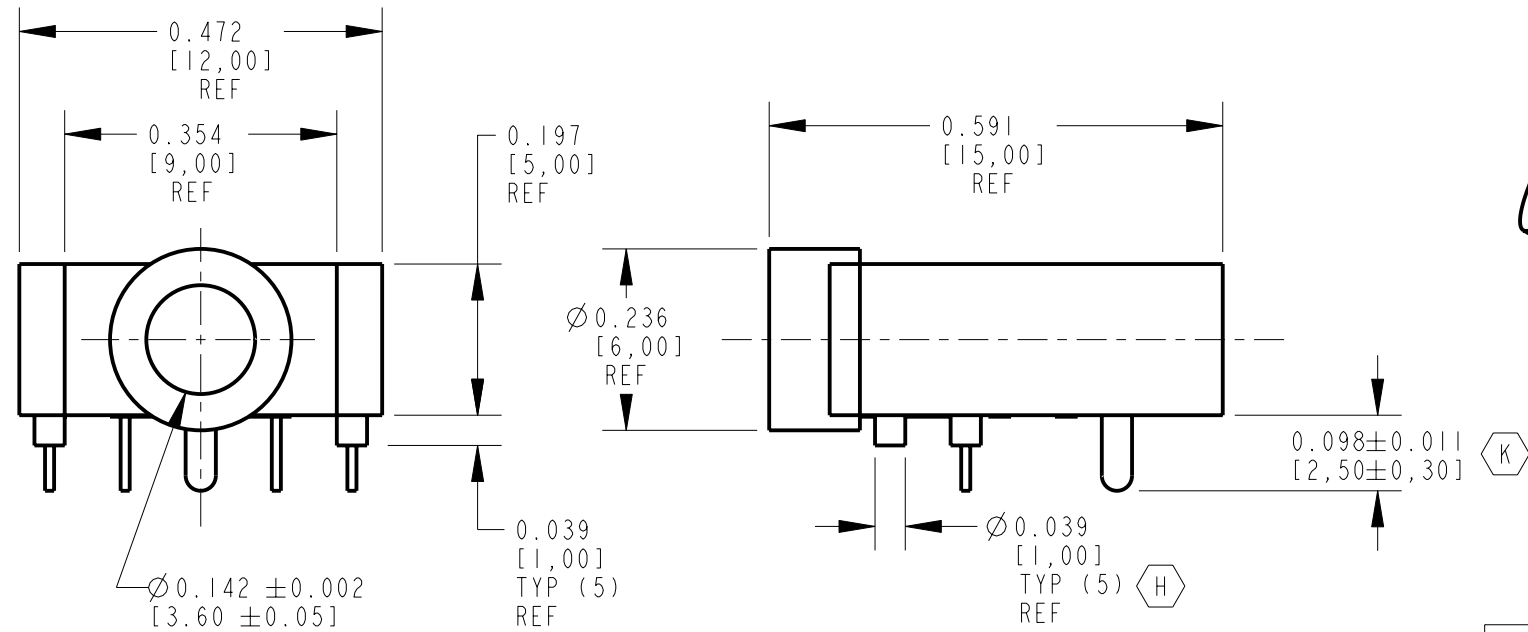


NOTES:

- ELECTRICAL:
CONTACT RESISTANCE: 0.030 OHMS MAX INITIAL,
0.100 OHMS MAX AFTER LIFE TEST.
INSULATION RESISTANCE: 100 MEGAOHMS MIN @ 500 VDC
DIELECTRIC WITHSTANDING VOLTAGE: 500 VAC
- MECHANICAL:
LIFE: 5000 CYCLES
INSERTION FORCE: 0,4 KG TO 3 KG
WITHDRAWAL FORCE: 0,4 KG TO 3 KG
- MATERIALS:
HOUSING: PBT, BLACK, UL94V-0
COVER: PBT, BLACK, UL94V-0
BUSHING: BRASS, NICKEL PLATED
SPRINGS: COPPER ALLOY, SILVER PLATED
- THIS PRODUCT IS RoHS COMPLIANT.



SHOWN 35RAPC4BHN2

PART NUMBER	SCHEMATIC
35RAPC2AHN2	
35RAPC3BHN2	
35RAPC4BHN2	
35RAPC2BHN2	

CUSTOMER DRAWING

REV	ECO NUMBER	DATE	BY	APVD	DESCRIPTION	STAR SYMBOL DENOTES CRITICAL DIMENSION	THIS DRAWING DESCRIBES A DESIGN CONSIDERED PROPRIETARY IN NATURE, DEVELOPED AND MANUFACTURED BY SWITCHCRAFT INC. AND IS RELEASED ON A CONFIDENTIAL BASIS FOR IDENTIFICATION PURPOSES ONLY.				
L	27551	8-4-15	TO	TJK	UNLESS OTHERWISE SPECIFIED	1. ALL DIMENSIONS IN INCHES - TWO PLACE DECIMALS ±0.01 - THREE PLACE DECIMALS ±0.005 - FRACTIONAL DIMENSIONS ±1/64 - ANGLES ±1° - ALL DIA. CONCENTRIC WITHIN 0.005 T.I.R.	SIZE	WIDTH	MULT	LBS/M	TEMPER
K	27056	11-20-12	TO	TJK	2. FEATURES ON THE SAME CENTERLINE MUST BE ALIGNED WITHIN ±0.002	2. FEATURES ON THE SAME CENTERLINE MUST BE ALIGNED WITHIN ±0.002	FINISH		MATERIAL		
J	26998	7-20-12	TO	TJK	3. REMOVE ALL BURRS	3. REMOVE ALL BURRS	SPEC No.		SPEC No.		
H	26658	11-10-10	TO	TJK	DO NOT SCALE DRAWING	DO NOT SCALE DRAWING	FIRST USED ON		SCALE 4:1		Switchcraft
G	26553	6-8-10	TJK	TJK		DATE DRAWN	BY	CHKD	APVD	SHEET OF	
F	ECO # 24453	4-10-03	SRC	TJK		9-Dec-93	LR	LR 12-10-93	EBR 12-10-93	PART No. 35RAPC_ _HN2	
REVISIONS							NAME 3.5MM HORIZONTAL STEREO JACK, RoHS				REV L