	All rights reserved		Scale 1:1		Free size tol.		Ref.	
	Department EL PD		Created by HELLMANN	Inspected by SCHNIEDER	Standardisation		Date 2021-11-24	State Final Release
HARTING			Title Han Ex UL 4A Set				Doc-Key / ECM-Nr. 100670785/UGD/002/D 500000206718	
D-32339 Espelkamp			Type TB	Number 10 36 104 0001			Rev. D	Page 1/2

FOR USE WITH AWG: 18

FOR USE WITH CABLE TYPE:
PLTC, PLTC-ER, ITC, ITC-ER, MC, MV AND TC

FOR USE IN CLASS I, DIVISION 2 GROUPS A, B, C, AND D
HAZARDOUS LOCATIONS OR UNCLASSIFIED LOCATIONS

A

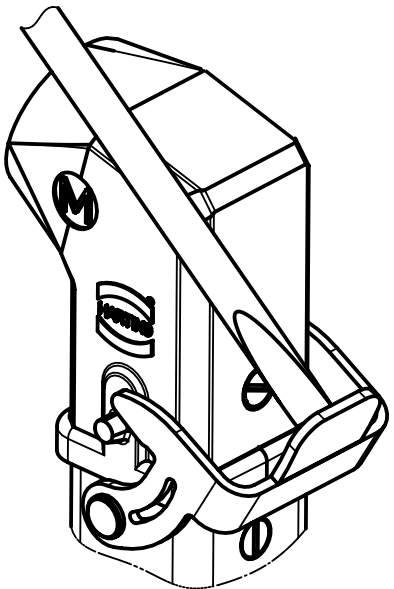
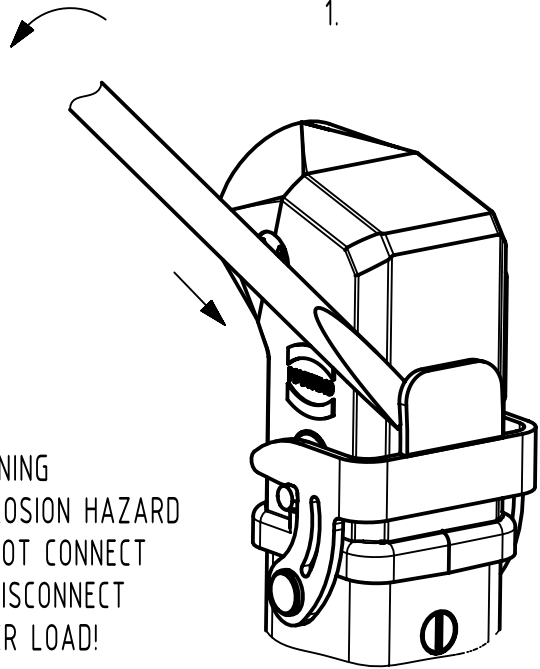
B

C

D

1.

2.



WARNING
EXPLOSION HAZARD
DO NOT CONNECT
OR DISCONNECT
UNDER LOAD!

THE INSTALLATION MUST BE IN
ACCORDANCE WITH THE
ASSOCIATED LOCATION
RESTRICTIONS OF THE NATIONAL
ELECTRIC CODE OR CANADIAN
ELECTRICAL CODE AS
APPLICABLE, INCLUDING ISSUES
SUCH AS THE ROUTING,
SUPPORT AND LENGTH OF THE
INVOLVED CORD OR CABLE.

To separate connectors, insert small flathead tool or screwdriver between metal lever and housing as shown in the diagram. Press screwdriver in a downward direction until the metal lever releases.

To secure the hood and housing assembly together, press the metal levers in the upward direction until metal lever latches into housing pins.