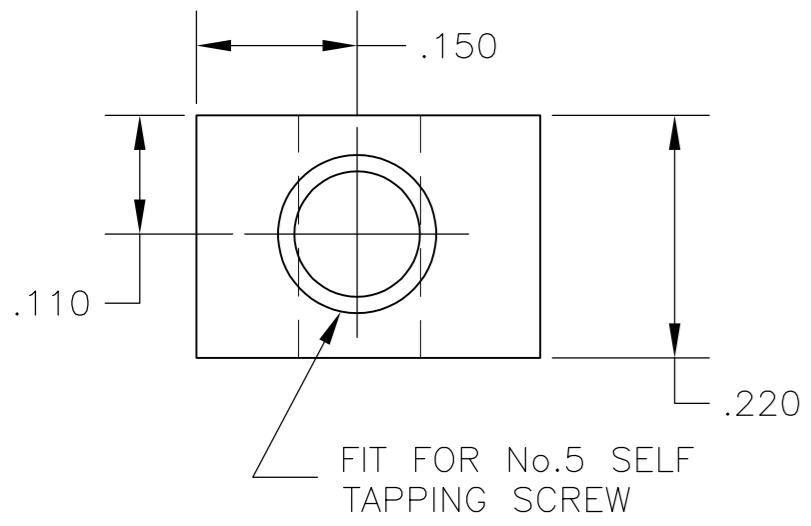
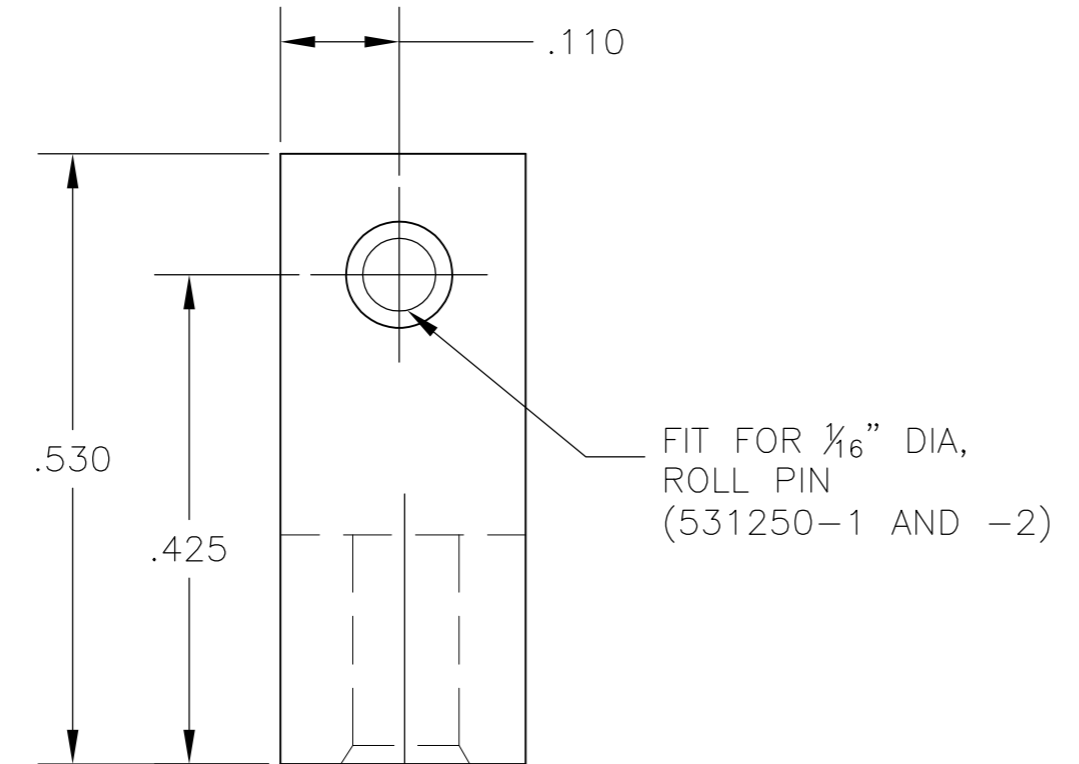
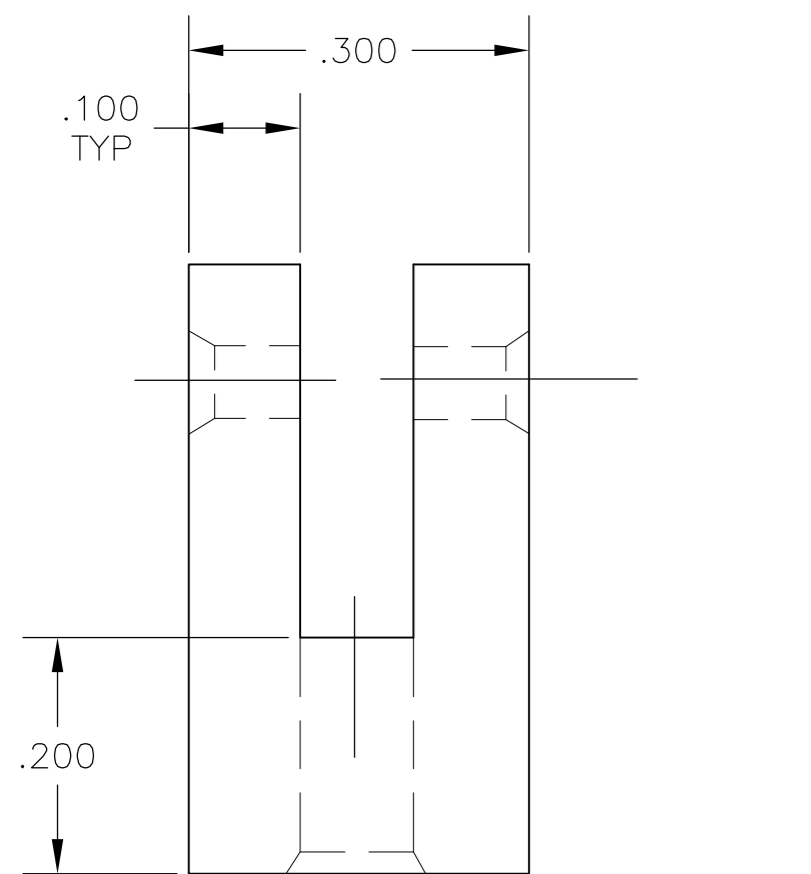
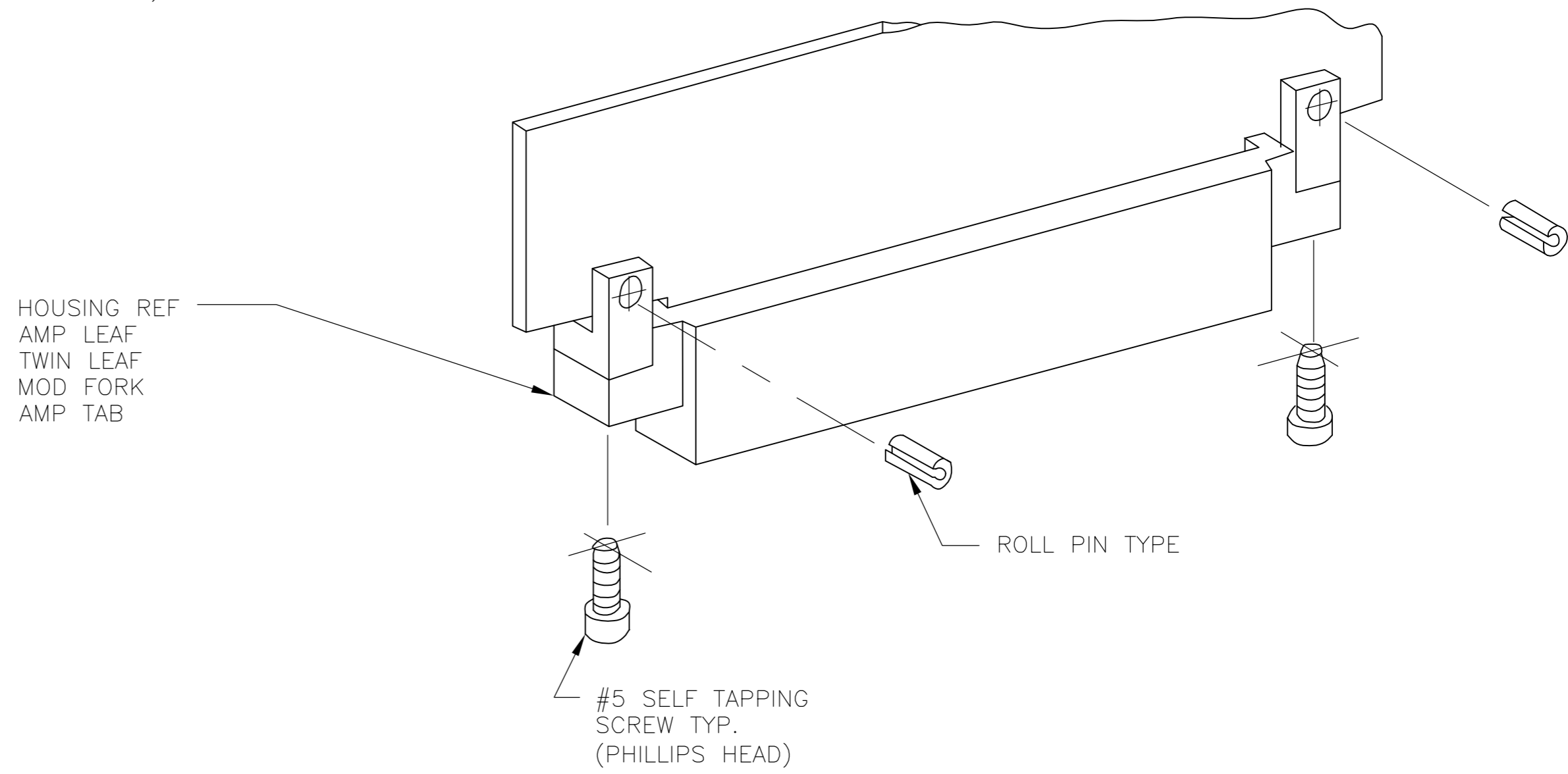


THIS DRAWING IS UNPUBLISHED. RELEASED FOR PUBLICATION  
 © COPYRIGHT - By - ALL RIGHTS RESERVED.

| LOC |     | DIST        |                           | REVISIONS |      |    |  |
|-----|-----|-------------|---------------------------|-----------|------|----|--|
| P   | LTR | DESCRIPTION | DATE                      | DWN       | APVD |    |  |
| AD  | 00  | H1          | REVISED PER ECO-13-014537 | 13SEP2013 | KH   | MM |  |



- SUPERSEDED  $\triangle 1$  531250-1 KIT INCLUDES: 2=531250-2, 2=SCREWS #5 X 3/8", 2=ROLL PINS 1/16" X 1/4"
- $\triangle 2$  531250-2 AS SHOWN (BOARD RETAINER ONLY)
- OBSOLETE  $\triangle 3$  530250-3 KIT: SAME AS 530250-2 EXCEPT HOLE DIA IS .125 IN PLACE OF FIT FOR 1/16" ROLL PIN
- SUPERSEDED  $\triangle 4$  530250-4 KIT INCLUDES: 2=531250-2, 2=SCREWS #5 X 7/16", 2=ROLL PINS 1/16" X 1/4"
- $\triangle 5$  5-530250-4 KIT (LEAD FREE) INCLUDES: 2=531250-2, 2 SCREWS #5 X 7/16", 2=ROLL PINS 1/16" X 1/4"



|                          |               |             |
|--------------------------|---------------|-------------|
| SUPERSEDED BY 5-531250-4 | $\triangle 5$ | 5-531250-4  |
|                          | $\triangle 4$ | 531250-4    |
| OBSOLETE                 | $\triangle 3$ | 531250-3    |
|                          | $\triangle 2$ | 531250-2    |
| SUPERSEDED BY 5-531250-4 | $\triangle 1$ | 531250-1    |
|                          |               | DESCRIPTION |
|                          |               | PART NO     |

| DIMENSIONS: |  | TOLERANCES UNLESS OTHERWISE SPECIFIED: |        | DWN        |  | CHK              |  | APVD         |  | NAME                                |  |
|-------------|--|--|--------|------------|--|------------------|--|--------------|--|-------------------------------------|--|
| INCHES      |  | 0 PLC                                  | ± -    | A.M.SHARPE |  | RACILLA          |  | RACILLA      |  | TE Connectivity                     |  |
|             |  | 1 PLC                                  | ± -    | 11JULY78   |  | RACILLA          |  | PRODUCT SPEC |  | BOARD RETAINER, CARD EDGE, I/O CONN |  |
|             |  | 2 PLC                                  | ± -    |            |  | APPLICATION SPEC |  |              |  | SIZE                                |  |
|             |  | 3 PLC                                  | ± .010 |            |  |                  |  |              |  | CAGE CODE                           |  |
|             |  | 4 PLC                                  | ± -    |            |  |                  |  |              |  | DRAWING NO                          |  |
|             |  | ANGLES                                 | ± -    |            |  |                  |  |              |  | RESTRICTED TO                       |  |
|             |  | FINISH                                 | -      |            |  |                  |  |              |  | SCALE                               |  |
| MATERIAL    |  |  |        | WEIGHT     |  | A2 00779         |  | C=531250     |  | SHEET                               |  |
| NYLON       |  |  |        | -          |  | CUSTOMER DRAWING |  | SCALE 6:1    |  | 1 OF 1                              |  |
|             |  |  |        |            |  |                  |  |              |  | REV                                 |  |
|             |  |  |        |            |  |                  |  |              |  | H1                                  |  |

531250

A