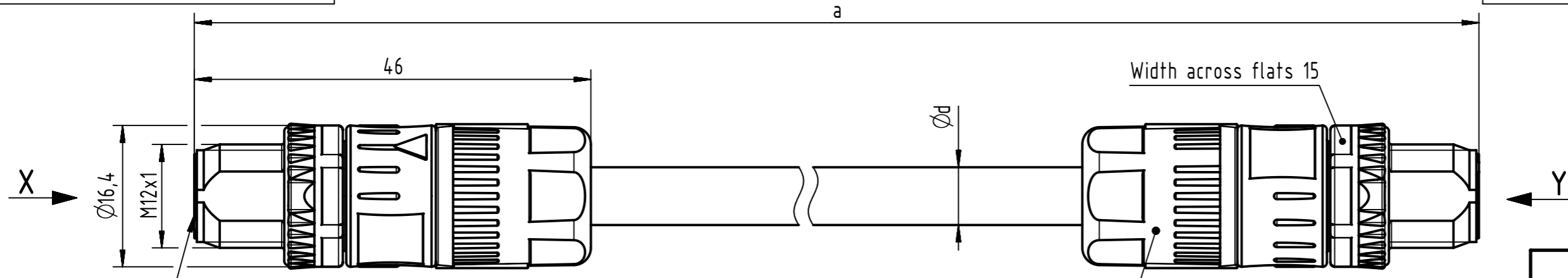


Connector Location A

Connector Location B



Mating face acc. to IEC 61076-2-109

M12 X-coded Slim Design, crimp, 8-pole, straight (IP65/67)

length in "1m" step	100	XXX=000
	99	XXX=990
	.	.
	12	XXX=120
length in "0.1m" step	11	XXX=110
	10	XXX=100
	9.9	XXX=099
	9.8	XXX=098
	.	.
	0.5	XXX=005
	0.4	XXX=004
	0.3	XXX=003
0.2	XXX=002	
Step	a [m]	XXX

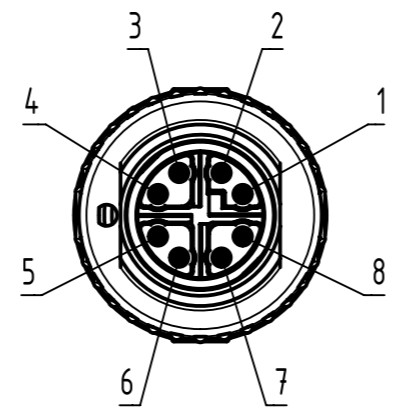
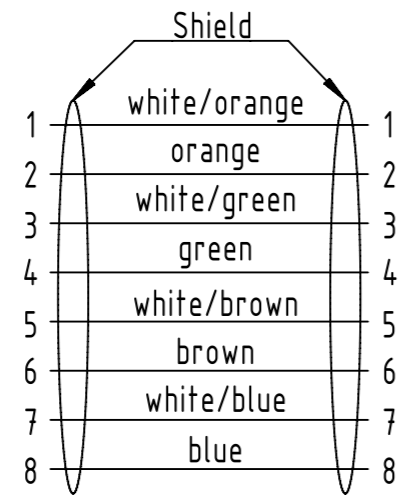
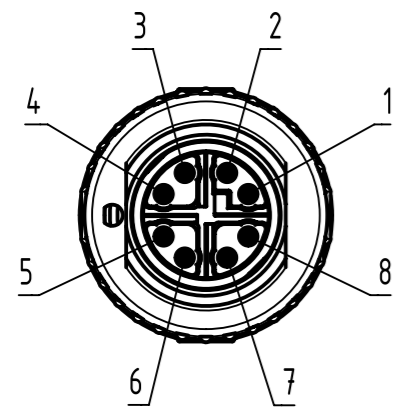
NOTE:  
\* Ethernet transmission possible for lengths up to 45m, only for cables with AWG 26/7 (pos. XX=10 and XX=50) from the table

6.0 to 100	±1%
0.6 to 5.9	+0.04
0.2 to 0.5	+0.02
a [m]	Tolerance

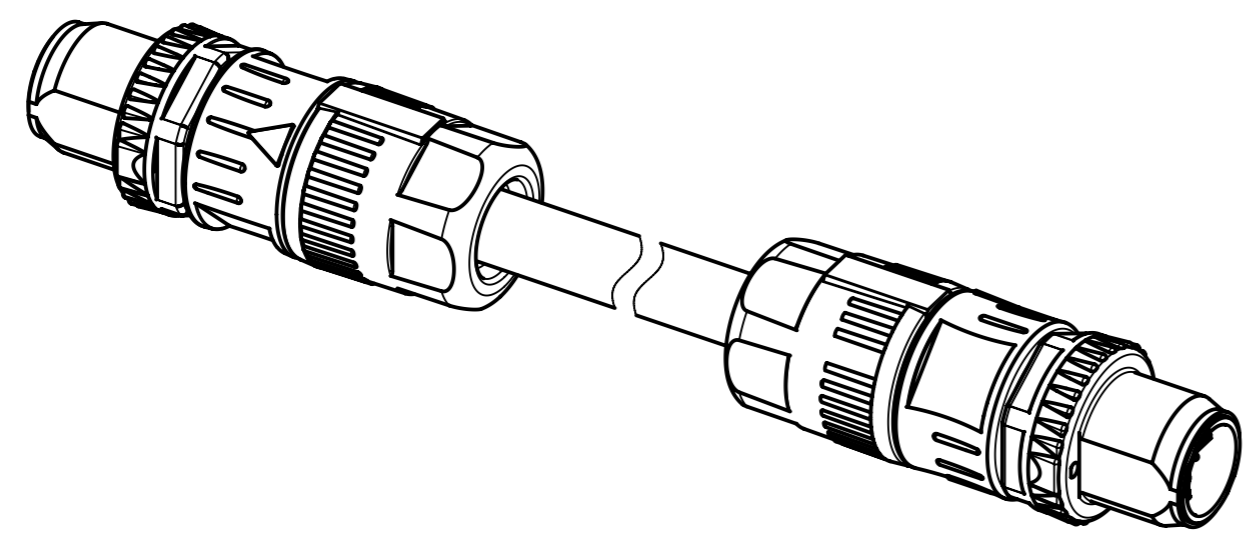
X male

Loading Plan acc. to TIA/EIA 568B

Y male



Part no. 213301018XXXX



Dim d [mm]	Type of cable	Temp.	XX
6.7	RJI Ethernet Stranded Cable, 4x2xAWG 26/7, PUR, Cat. 6A, yellow	-40°C ... +80°C	XX=10
6.4	RJI Ethernet Flexible Cable, 4x2xAWG 26/7, PUR, Cat.7A, yellow	-40°C ... +70°C	XX=50
8.1	RJI EtherRail Cable 4x2xAWG 24/7, PE, Cat.7, black	-40°C ... +80°C	XX=53

All Dimensions in mm

Tech. Character. Free size tol. According to production drawing

All rights reserved Department HCS - RO

Created by BANIUD Banciu Inspected by COSTEA Costea Standardisation MUNTEANV Muntean Date 2020-01-09 State Final Release

HARTING Customised Solutions D-32339 Espelkamp

Title M12 X-coded Cable Assembly

Type TB Number 213301018XXXX

Doc-Key / ECM-Nr. 100542214/UGD/004/F 500000162671

Rev. F Page 1/1