



## Certifications & Ratings

- RoHS compliant

## Application

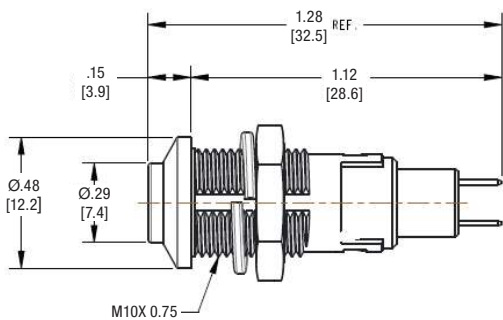
The 680 Series LED Panel Mount Indicators are designed for a variety of applications such as:

- Main power indication
  - Remote power indication
  - Status indication
  - Maintenance and warning indication
  - Instrumentation
- ... and many more!

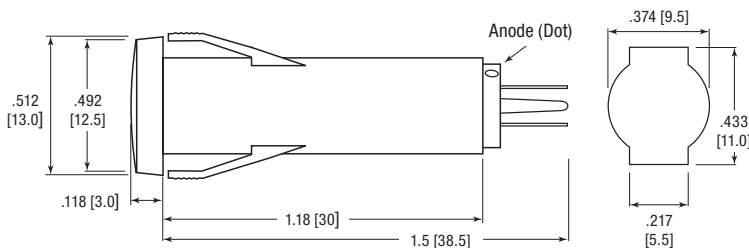
## Dimensions

inches [mm]

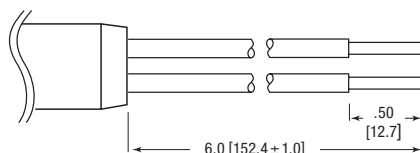
### Standard



### Snap-in



### 6" Wire Leads



*These indicators are un-polarized*

## Mechanical Information

**Mounting Hole Size:** 0.413" (10.5 mm) (Standard)  
Snap-in, see drawing

**Max Panel Thickness:** 0.236" (6.0 mm) (Standard);  
0.098" (2.49 mm) (Snap-in)

**Mounting Torque:** 0.217 lbs/ft (3 kg/cm) (Standard)

## Specifications

**Voltage Options:** 6, 12, & 24 VDC (no resistor required)

**Operating Temp:** -20 °C to +75 °C (-4 °F to +167 °F)

**Storage Temp:** -40 °C to +100 °C (-40 °F to +212 °F)

**Electrical Connection:** Solder terminals, 6" wire leads

**Housing:** Polycarbonate

**Terminals:** Copper—Nickel Plated

**Lock Washer:** Iron—Nickel Plated

**Nut:** Brass—Nickel Plated



## Ordering Information 680 Series

### Part Number Guide

RoHS Compliant

6	8	0	-	3	X	3	X	-	X	X	X	F
LED Color*					Termination				Lens Color*			
● Red	1	Solder Terminals				2	1 ● Red					
● Green	2	6" Wire Leads				5	2 ● Green					
● Orange	3	Mounting Style				3 ● Orange						
● Blue	4					4 ● Blue						
					Standard		1	Voltage				
					Snap-in		2					
							2	6VDC				
							3	12VDC				
							4	24VDC				

\* Lens color same as LED color

Dialight P/N			Color	Current (mA)	Typical Intensity (mcd)	Panel Thickness	Termination
6 VDC	12 VDC	24 VDC					

### Standard

6 VDC	12 VDC	24 VDC	Color	Current (mA)	Typical Intensity (mcd)	Panel Thickness	Termination
680-3132-121F	680-3132-131F	680-3132-141F	● Red	15	1530	0.236" (6.0mm)	Solder Terminals
680-3232-122F	680-3232-132F	680-3232-142F	● Green		4330		
680-3332-123F	680-3332-133F	680-3332-143F	● Orange		1455		
680-3432-124F	680-3432-134F	680-3432-144F	● Blue		245		
680-3135-121F	680-3135-131F	680-3135-141F	● Red		1530		Wire Leads
680-3235-122F	680-3235-132F	680-3235-142F	● Green		4330		
680-3335-123F	680-3335-133F	680-3335-143F	● Orange		1455		
680-3435-124F	680-3435-134F	680-3435-144F	● Blue		245		

### Snap-in

6 VDC	12 VDC	24 VDC	Color	Current (mA)	Typical Intensity (mcd)	Panel Thickness	Termination
680-3132-221F	680-3132-231F	680-3132-241F	● Red	15	335	0.098" (2.5mm)	Solder Terminals
680-3232-222F	680-3232-232F	680-3232-242F	● Green		4070		
680-3332-223F	680-3332-233F	680-3332-243F	● Orange		1025		
680-3432-224F	680-3432-234F	680-3432-244F	● Blue		730		
680-3135-221F	680-3135-231F	680-3135-241F	● Red		335		Wire Leads
680-3235-222F	680-3235-232F	680-3235-242F	● Green		4070		
680-3335-223F	680-3335-233F	680-3335-243F	● Orange		1025		
680-3435-224F	680-3435-234F	680-3435-244F	● Blue		730		

Dialight reserves the right to make changes at any time in order to supply the best product possible. The most current version of this document will always be available at: [www.dialightsignalsandcomponents.com](http://www.dialightsignalsandcomponents.com)

**Warranty Statement:** Except for the warranty expressly provided for at: [www.dialight.com/resources/warranties/](http://www.dialight.com/resources/warranties/), Dialight disclaims any and all other warranties, express or implied, including, without limitation, any warranties of merchantability, fitness for a particular purpose, title, and noninfringement.