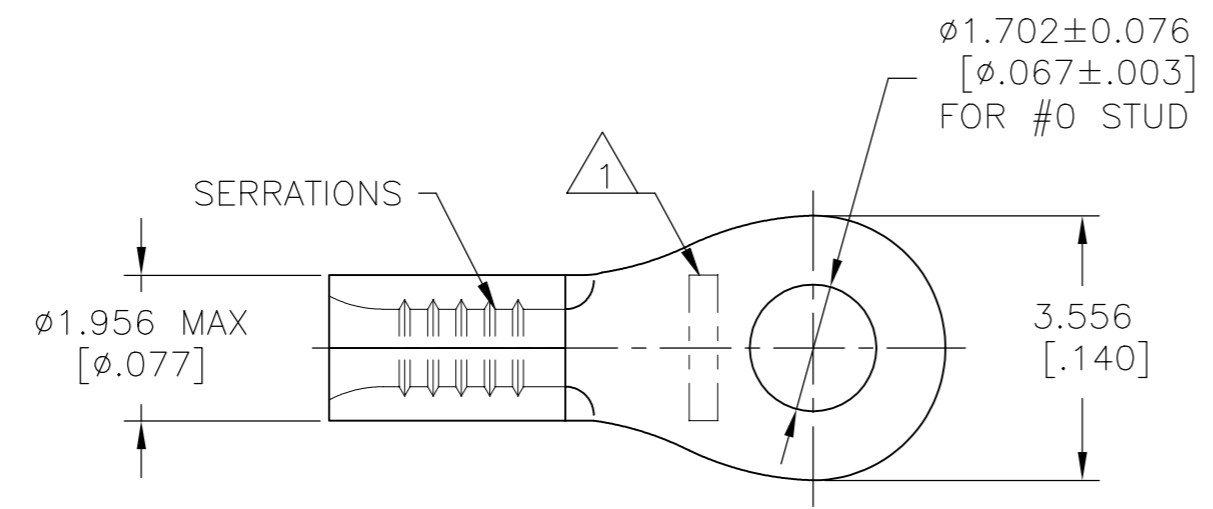


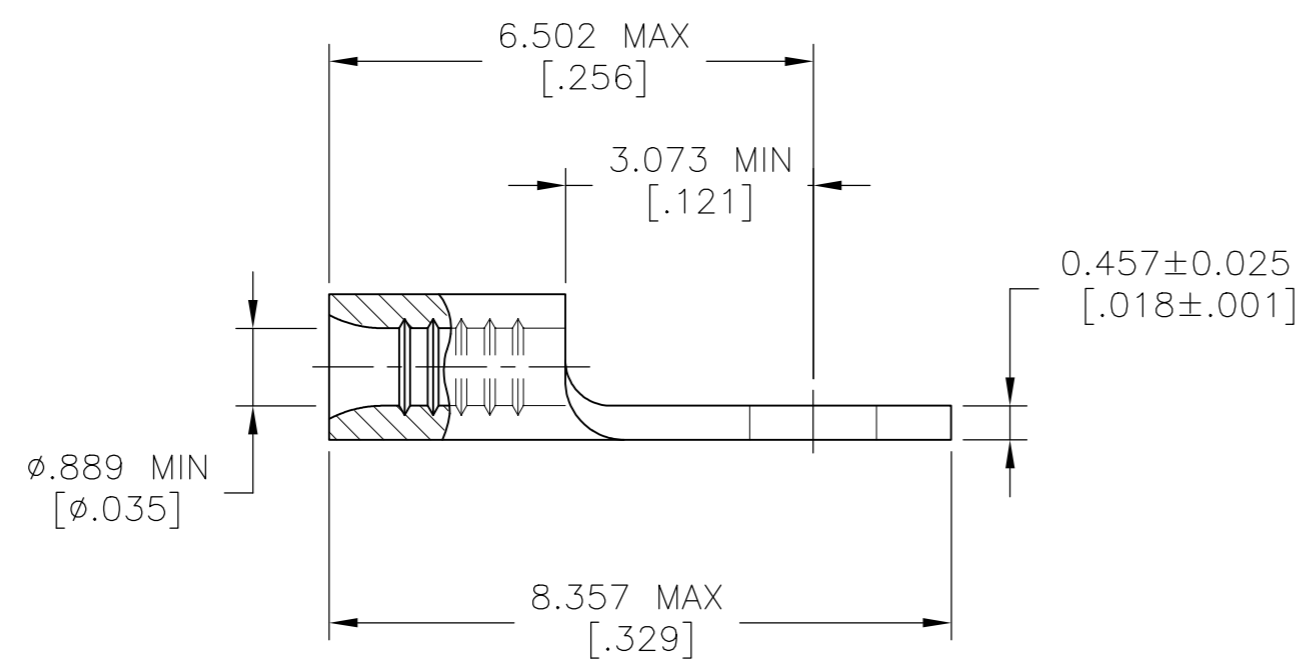
THIS DRAWING IS UNPUBLISHED. RELEASED FOR PUBLICATION
 © COPYRIGHT - By - ALL RIGHTS RESERVED.

REVISIONS					
P	LTR	DESCRIPTION	DATE	DWN	APVD
	B2	REVISED PER ECO-13-001411	25JAN13	KH	DR
	B3	REVISED PER ECO-17-008806	20FEB2018	RS	DR



- 1 STAMP AMP APPROX AS SHOWN
- 2 COPPER PER ASTM B-152, ANNEALED.
- 3 0.00254 [.000100] MIN TIN PLATE PER ASTM B-545
- 4 NOTE DELETED
- 5 NOTE DELETED

AMP WIRE RANGE	Listed FILE E13288	LR7189 Certified
26-22 AWG STRANDED	NOT LISTED	NOT CERTIFIED



	1000	LOOSE PIECE	31423
FINISH	QTY	PACKAGE TYPE	PART NO

AMP INCORPORATED CUSTOMER SERVICE SYSTEMS		MAX RECOMMENDED OPERATING TEMPERATURE:	THIS DRAWING IS A CONTROLLED DOCUMENT.		DWN	2-2-93	TE Connectivity Ltd.
		170°C[338°F] MAX	DIMENSIONS:	TOLERANCES UNLESS OTHERWISE SPECIFIED:	CHK	2-2-93	
FOR ADDITIONAL PRODUCT INFORMATION OR COPIES OF DRAWINGS AND TECHNICAL DOCUMENTS	PRODUCT INFORMATION CENTER 1-800-522-6752	VOLTAGE RATING:	mm [INCHES]	0 PLC ± - 1 PLC ± - 2 PLC ± - 3 PLC ± 0.127[.005] 4 PLC ± - ANGLES ± -	APVD	2-2-93	NAME
FOR APPLICATION	TOOLING ASSISTANCE CENTER 1-800-722-1111	CIRCULAR MIL AREA:		0.1-0.41mm² [202-810] STRANDED	DE MILLER		UL 486 A-B
TOOLING INFORMATION	1-800-526-5142		MATERIAL	COPPER	FINISH	SEE TABLE	APPLICATION SPEC
FOR ORDER ENTRY	1-800-526-5142	THIS DRAWING IS A CONTROLLED DOCUMENT FOR AMP INCORPORATED. IT IS SUBJECT TO CHANGE AND THE CONTROLLING ENGINEERING ORGANIZATION SHOULD BE CONTACTED FOR THE LATEST REVISION.			WEIGHT		—
					CUSTOMER DRAWING	SCALE	10:1
						SHEET	1 OF 1
						REV	B3