

MATERIAL NUMBER	# OF COLUMNS	# OF DIFF PAIR	DIM "A" MAX	DIM "B"	PTH ϕ
76495-#8**	8	32	22.80	13.30	0.46±0.05
76495-#8**					0.39±0.05
76495-#1**	10	40	26.60	17.10	0.46±0.05
76495-#1**					0.39±0.05
76495-#2**	12	48	30.40	20.90	0.46±0.05
76495-#2**					0.39±0.05
76495-#7**	14	56	34.20	24.70	0.46±0.05
76495-#7**					0.39±0.05
76495-#6**	16	64	38.00	28.50	0.46±0.05
76495-#6**					0.39±0.05

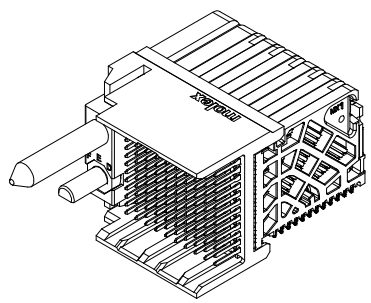
76495-****

MODULE TYPE
 3 = LEFT GUIDED, LEAD-FREE
 7 = LEFT GUIDED, LEAD-FREE W/ ENDWALL

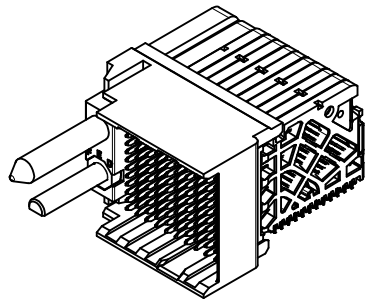
PIN LENGTH (P)
 4 = 4.90 (0.46 PTH)
 5 = 5.50 (0.46 PTH)
 7 = 4.90 (0.39 PTH)
 8 = 5.50 (0.39 PTH)

OF COLUMNS
 1 = 10 COLUMNS
 2 = 12 COLUMNS
 6 = 16 COLUMNS
 7 = 14 COLUMNS
 8 = 8 COLUMNS

KEY ORIENTATION
 0 = NO KEY
 1 = A 5 = E
 2 = B 6 = F
 3 = C 7 = G
 4 = D 8 = H

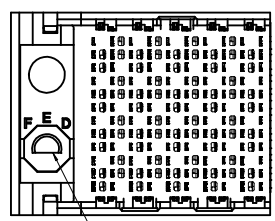
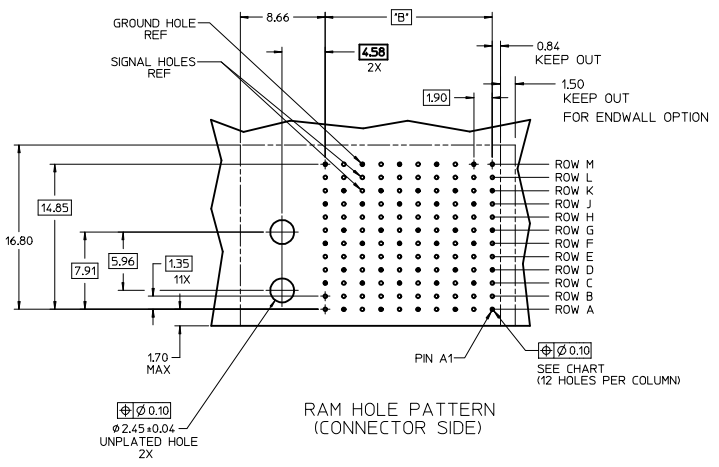
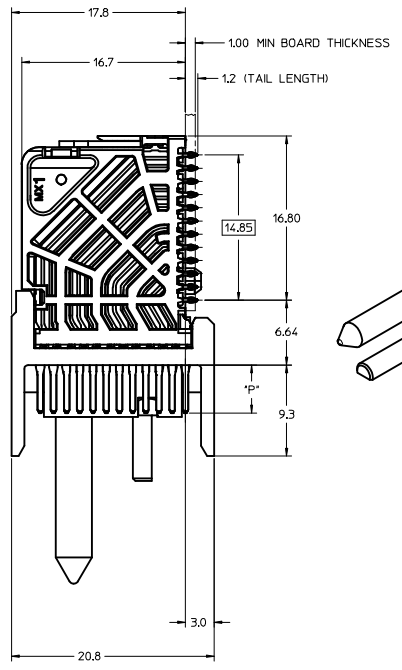
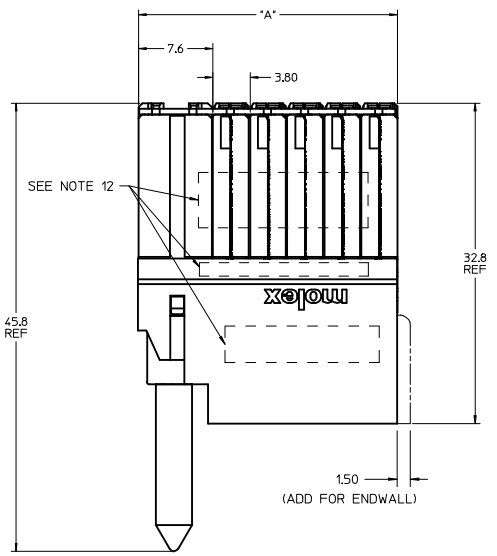


OPEN END OPTION



ENDWALL OPTION

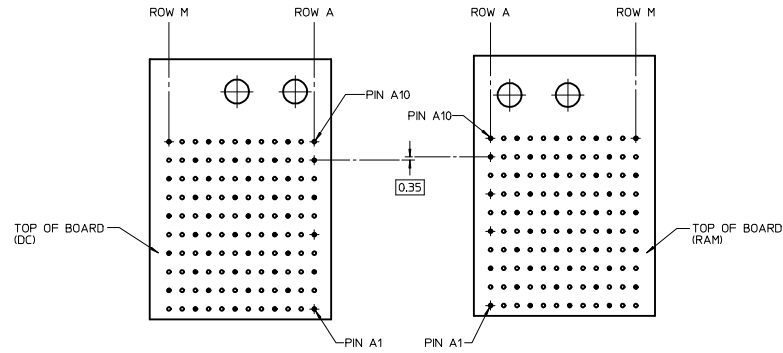
- NOTES:
- MATERIALS: HOUSING - LIQUID CRYSTAL POLYMER (LCP), GLASS-FILLED, UL94V-0
TERMINALS - HIGH PERFORMANCE COPPER ALLOY
 - FINISH: 30NM SELECTIVE GOLD IN CONTACT AREA, SELECTIVE TIN ON PCB TAILS, NICKEL OVERALL.
 - REFER TO MOLEX PRODUCT SPECIFICATION PS-170540-999 FOR PERFORMANCE SPECIFICATIONS AND ADDITIONAL PCB INFORMATION.
 - EACH SIGNAL WAFER CONTAINS 2 COLUMNS OF TERMINALS.
 - PRODUCT IS PACKAGED PER PK-70873-041.
 - THIS PART CONFORMS TO CLASS B REQUIREMENTS OF COSMETIC SPEC PS-45499-002.
 - REFER TO MOLEX SALES DRAWING SD-170340-004 FOR THE MATING RECEPTACLES.
 - REFER TO MOLEX PCB ROUTING GUIDE AS-76060-990 FOR ANTIPAD AND ROUTING RECOMMENDATIONS.
 - CONNECTORS SUPPLIED WITH A 2-32 SCREW 73726-0000 (9.5mm ±0.38mm THREADABLE SCREW LENGTH). THE MAXIMUM BOARD THICKNESS IS 4.4mm.
 - GUIDE LEFT RAM MATES TO GUIDE RIGHT DAUGHTERCARD.
 - GROUND PATHS ARE NOT DISCRETE CIRCUITS.
 - MARKING: LOCATED APPROXIMATELY AS SHOWN, PART NUMBER AND DATE CODE.



KEY SHOWN IN POSITION A

ADD LASER MARK INFO EC NO: UCP2016-3973 DRAWN BY: DRWN:VARVARA CHKD:TELO APPR:TELO DATE: 2015/07/29 DATE: 2016/02/22 DATE: 2016/04/20 SIZE: A2	QUALITY SYMBOLS ∇=0 ∇=0 ∇=0	GENERAL TOLERANCES (UNLESS SPECIFIED) <table border="1"> <thead> <tr> <th></th> <th>mm</th> <th>INCH</th> </tr> </thead> <tbody> <tr> <td>4 PLACES</td> <td>±---</td> <td>±---</td> </tr> <tr> <td>3 PLACES</td> <td>±---</td> <td>±---</td> </tr> <tr> <td>2 PLACES</td> <td>±0.13</td> <td>±---</td> </tr> <tr> <td>1 PLACE</td> <td>±0.25</td> <td>±---</td> </tr> </tbody> </table> ANGULAR ±1/2° DRAFT WHERE APPLICABLE MUST REMAIN WITHIN DIMENSIONS		mm	INCH	4 PLACES	±---	±---	3 PLACES	±---	±---	2 PLACES	±0.13	±---	1 PLACE	±0.25	±---	DIMENSION STYLE MM ONLY DRAWN BY: JL AURX CHECKED BY: TELO APPROVED BY: JJONI AK DATE: 2010/11/16 DATE: 2016/02/22 DATE: 2012/11/19	SCALE: 4:1 DESIGN UNITS: METRIC THIRD ANGLE PROJECTION	TITLE: IMPACT 4 PAIR PLUS 850HM RAM SIGNAL MODULE GUIDE LEFT SALES DWG
		mm	INCH																	
	4 PLACES	±---	±---																	
	3 PLACES	±---	±---																	
2 PLACES	±0.13	±---																		
1 PLACE	±0.25	±---																		
			MATERIAL NO. SEE CHART DOCUMENT NO. SD-76495-002		MOLEX INCORPORATED															
					SHEET NO. 1 OF 2															
					THIS DRAWING CONTAINS INFORMATION THAT IS PROPRIETARY TO MOLEX INCORPORATED AND SHOULD NOT BE USED WITHOUT WRITTEN PERMISSION															

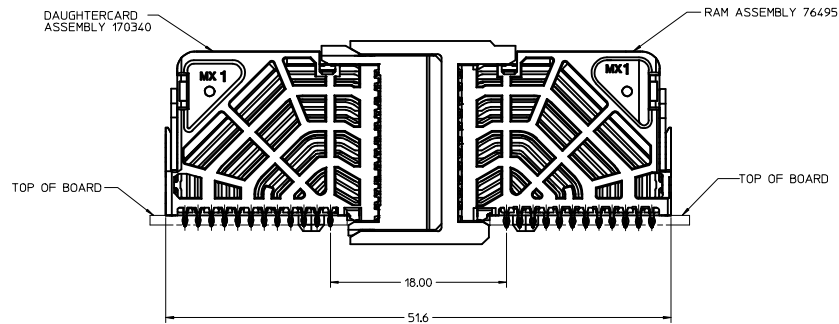
20 19 18 17 16 15 14 13 12 11 10 9 8 7 6 5 4 3 2 1



COPLANAR MATED SIGNAL PATHS



COPLANAR APPLICATION



REMOVED PRE-MARK EC NO: UCP2016-3973 DRAWN: VAWARA 2015/07/29 CHKD: TELO 2016/02/22 APPR: TELO 2016/04/20 REV: A2	QUALITY SYMBOLS	GENERAL TOLERANCES (UNLESS SPECIFIED)	DIMENSION STYLE	SCALE	DESIGN UNITS	THIRD ANGLE PROJECTION	
	∇=0 ∇=0 ∇=0	4 PLACES ± --- ± --- 3 PLACES ± --- ± --- 2 PLACES ± 0.13 ± --- 1 PLACE ± 0.25 ± --- ANGULAR ± 1/2°	MM ONLY INCH	4:1 METRIC	DRAWN BY: JLAURX CHECKED BY: TELO APPROVED BY: JJONIAK	DATE: 2010/11/16 DATE: 2016/02/22 DATE: 2012/11/19	TITLE: IMPACT 4 PAIR PLUS 850HM RAM SIGNAL MODULE GUIDE LEFT SALES DWG MATERIAL NO: SEE CHART DOCUMENT NO: SD-76495-002
	DRAFT WHERE APPLICABLE MUST REMAIN WITHIN DIMENSIONS		SEE CHART		MOLEX INCORPORATED		SHEET NO. 2 OF 2
	THIS DRAWING CONTAINS INFORMATION THAT IS PROPRIETARY TO MOLEX INCORPORATED AND SHOULD NOT BE USED WITHOUT WRITTEN PERMISSION						

19 18 17 16 15 14 13 12 11 10 9 8 7 6 5 4 3 2 1