

Features

- Available in Linear and Audio Taper
- Solder Lug and Combination Type Terminals
- Perfect for Consumer Electronics Applications

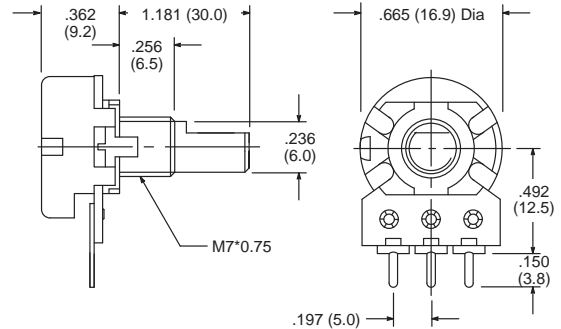


NTE Part No.	Value (Ohms)	Taper	Switch	Terminal Style	Diag No.
502-0301	1K	Linear	No	Combination	P7
502-0302	1K	Linear	Yes	Solder Lug	P8
502-0303	1K	Audio	No	Combination	P7
502-0304	1K	Audio	Yes	Solder Lug	P8
502-0305	5K	Linear	No	Combination	P7
502-0306	5K	Audio	No	Combination	P7
502-0307	5K	Audio	Yes	Solder Lug	P8
502-0308	10K	Linear	No	Combination	P7
502-0309	10K	Linear	Yes	Solder Lug	P8
502-0310	10K	Audio	No	Combination	P7
502-0311	10K	Audio	Yes	Solder Lug	P8
502-0312	50K	Linear	No	Combination	P7
502-0313	50K	Audio	No	Combination	P7
502-0314	50K	Audio	Yes	Solder Lug	P8
502-0315	100K	Linear	No	Combination	P7
502-0316	100K	Audio	No	Combination	P7
502-0317	100K	Audio	Yes	Solder Lug	P8
502-0318	500K	Linear	No	Combination	P7
502-0319	500K	Linear	Yes	Solder Lug	P8
502-0320	500K	Audio	No	Combination	P7
502-0321	500K	Audio	Yes	Solder Lug	P8
502-0322	1M	Linear	No	Combination	P7
502-0323	1M	Audio	No	Combination	P7
502-0324	1M	Audio	Yes	Solder Lug	P8

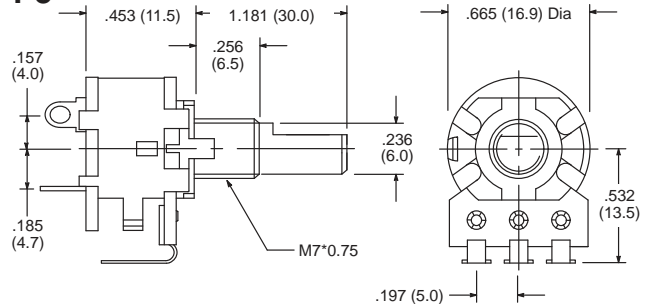
16mm Potentiometer

Potentiometer – 0.1 Watt and 0.2 Watt,
6mm dia. shaft, Single Turn

P7



P8



Specifications

Electrical

Resistance Range – Linear Taper: 1K Ω to 1 Meg Ω
– Audio Taper: 1K Ω to 1 Meg Ω

Resistance Tolerance: $\pm 20\%$

Sliding Noise: less than 47mV

Residual Resistance: $\leq 20\Omega$ ($R > 10K$)
 $\leq 10\Omega$ ($R \leq 10K$)

Insulation Resistance: more than 100 Meg Ω at 500VDC

Switch Contact Resistance: less than 50 Meg Ω

Operating Voltage: 150VAC

Rated Power – Linear Taper: 0.2W
– Audio Taper: 0.1W

Switch Rated Power: 125VAC at 1A

Withstand Voltage: 1 minute at 500VAC

Mechanical

Total Rotation Angle: 300° $\pm 5^\circ$

Switch Angle: 35° $\pm 10^\circ$

Rotation Torque: 30gf.cm to 200gf.cm

Switch Action: 50gf.cm to 350gf.cm

Rotation Stopper Strength: 8Kgf.cm Max

Shaft Push-Pull Strength: 7Kgf. Max

Rotation Life: 15,000 cycles

Switch Life: 10,000 cycles

Mounting Hole: .312" (7.9mm) dia.

Environmental

Operating Temperature: -10°C to +70°C

Resistance to Soldering Heat: 260°C for 3 seconds