

4

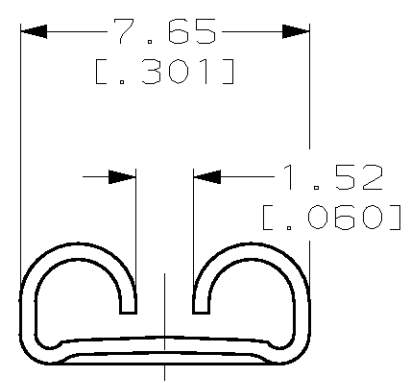
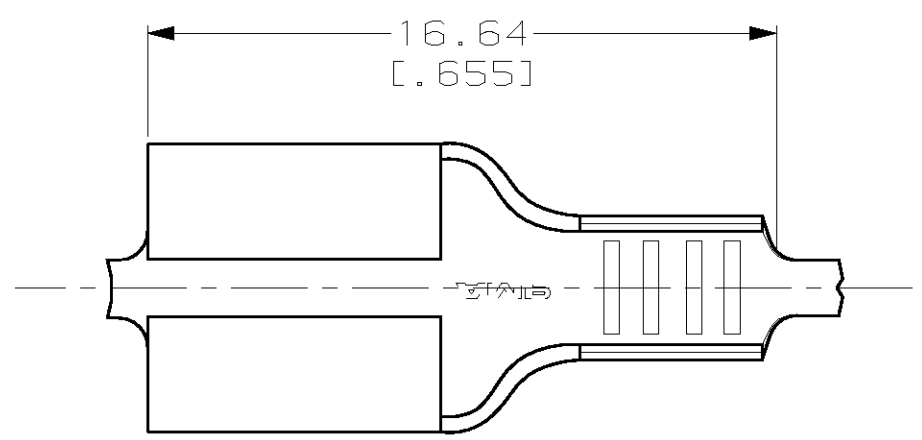
3

2

1

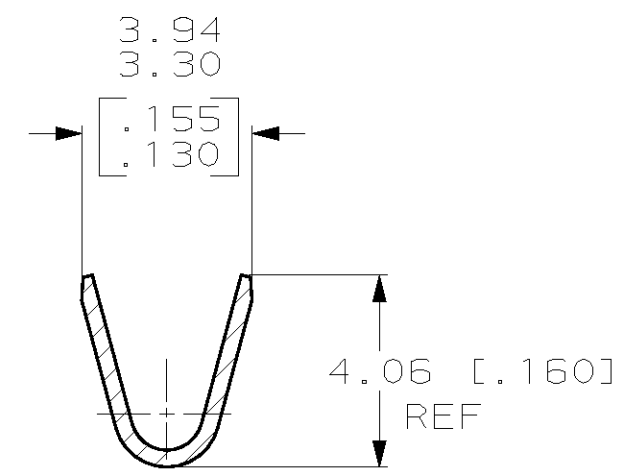
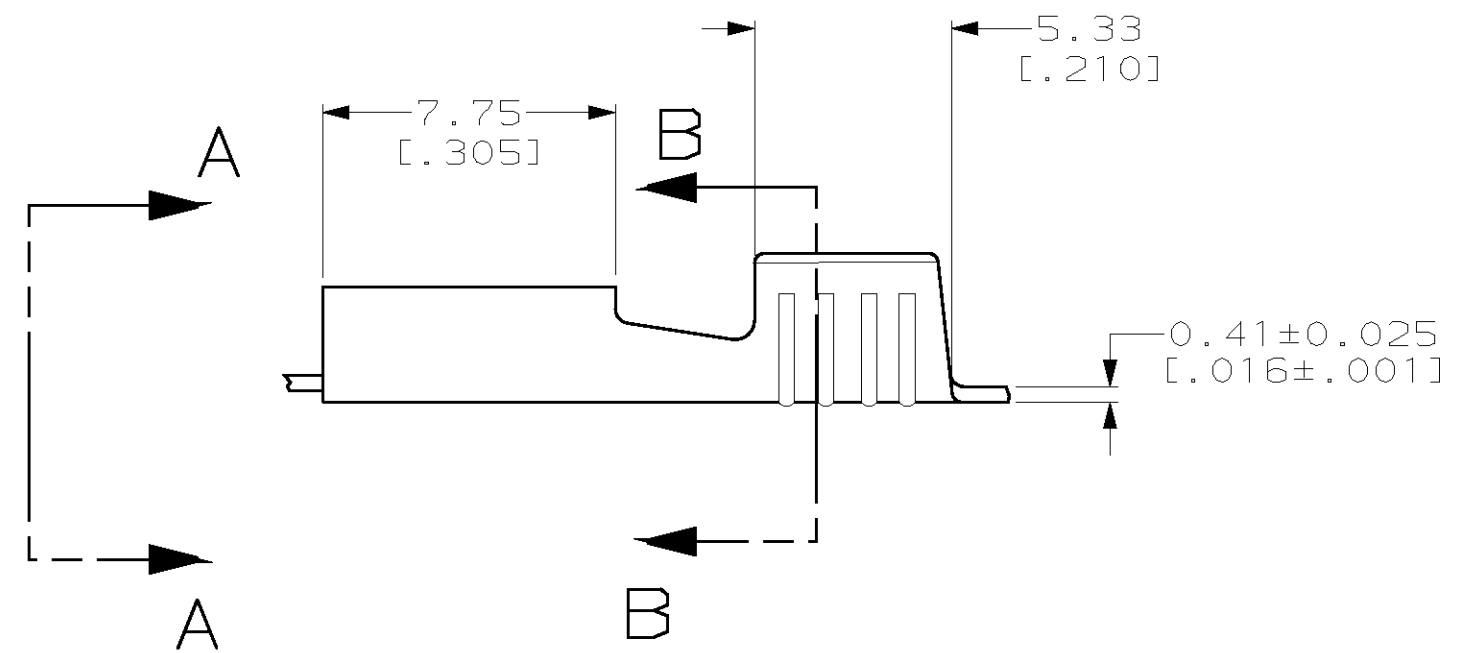
THIS DRAWING IS UNPUBLISHED. RELEASED FOR PUBLICATION, 19 .  
 © COPYRIGHT 19 BY AMP INCORPORATED. ALL RIGHTS RESERVED.

LOC	DIST	REVISIONS			
P	LTR	DESCRIPTION	DATE	DWN	APVD
AF	50	B	REV PER 0G1A-0039-98	3/10/98	JR JG



VIEW A-A

- 1 CONTINUOUS STRIP ON REELS.
- 2 MATING TAB THK TO BE  $0.81 \pm 0.025$  [ $0.032 \pm 0.001$ ].
- 3 WIRE SIZE [#18-#14] AWG.



SECTION B-B  
SCALE 6:1

63981-1  
PART NO.

THIS DRAWING IS A CONTROLLED DOCUMENT.		DWN JR RUTH 3/27/97	AMP Incorporated Harrisburg, PA 17105-3608	
DIMENSIONS: MM [INCHES]		CHK P FORTNEY 3/27/97		
TOLERANCES UNLESS OTHERWISE SPECIFIED:		APVD R BEAVER 3/27/97	NAME RECEPTACLE, FASTON, 6.35 [0.250] SERIES	
0 PLC ±- 1 PLC ±- 2 PLC ±0.25 [0.010] 3 PLC ±- 4 PLC ±- ANGLES ±-		PRODUCT SPEC -	RESTRICTED TO	
MATERIAL H04 BRASS		FINISH -	APPLICATION SPEC -	SIZE A3
		WEIGHT -	CAGE CODE 00779	DRAWING NO C-63981
CUSTOMER DRAWING			SCALE 5:1	SHEET 1 OF 1
			REV B	