

12 Output Buffer for 2 DDR and 3 SRAM DIMMS

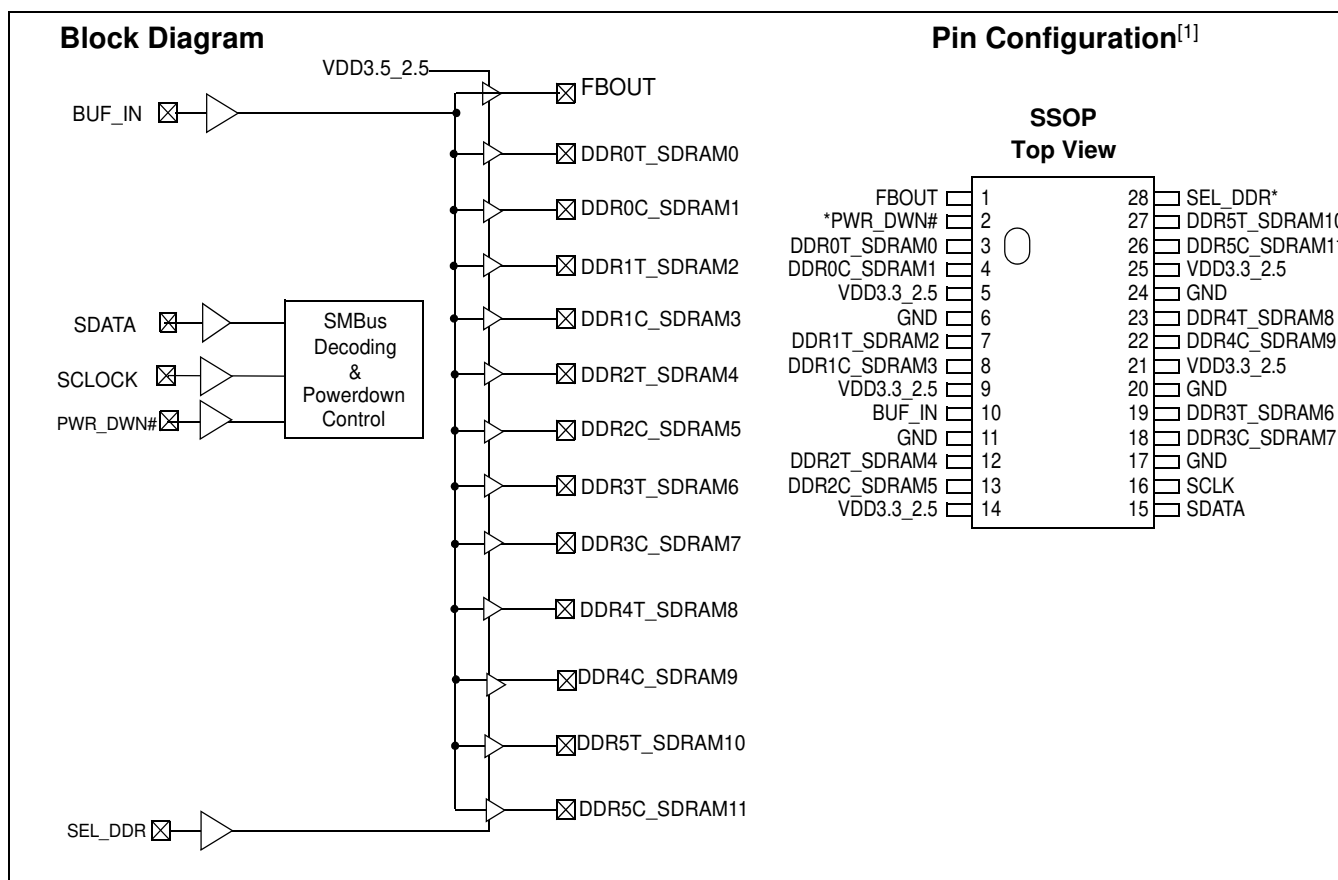
Features

- One input to 12 output buffer/drivers
- Supports up to 2 DDR DIMMs or 3 SDRAM DIMMS
- One additional output for feedback
- SMBus interface for individual output control
- Low skew outputs (< 100 ps)
- Supports 266 MHz and 333 MHz DDR SDRAM
- Dedicated pin for power management support
- Space-saving 28-pin SSOP package

Functional Description

The W256 is a 3.3V/2.5V buffer designed to distribute high-speed clocks in PC applications. The part has 12 outputs. Designers can configure these outputs to support 3 unbuffered standard SDRAM DIMMs and 2 DDR DIMMs. The W256 can be used in conjunction with the W250-02 or similar clock synthesizer for the VIA Pro 266 chipset.

The W256 also includes an SMBus interface which can enable or disable each output clock. On power-up, all output clocks are enabled (internal pull-up).



Note:

1. Internal 100K pull-up resistors present on inputs marked with *. Design should not rely solely on internal pull-up resistor to set I/O pins HIGH.

Pin Summary

Name	Pins	Description
SEL_DDR	28	Input to configure for DDR-ONLY mode or STANDARD SDRAM mode. 1 = DDR-ONLY mode. 0 = STANDARD SDRAM mode. When SEL_DDR is pulled HIGH or configured for DDR-ONLY mode, all the buffers will be configured as DDR outputs. Connect VDD3.3_2.5 to a 2.5V power supply in DDR-ONLY mode. When SEL_DDR is pulled LOW or configured for STANDARD SDRAM output, all the buffers will be configured as STANDARD SDRAM outputs. Connect VDD3.3_2.5 to a 3.3V power supply in STANDARD SDRAM mode.
SCLK	16	SMBus clock input.
SDATA	15	SMBus data input.
BUF_IN	10	Reference input from chipset. 2.5V input for DDR-ONLY mode; 3.3V input for STANDARD SDRAM mode.
FBOUT	1	Feedback clock for chipset. Output voltage depends on VDD3.3_2.5V.
PWR_DWN#	2	Active LOW input to enable Power Down mode; all outputs will be pulled LOW.
DDR[0:5]T_SDRAM [0,2,4,6,8,10]	3, 7, 12, 19, 23, 27	Clock outputs. These outputs provide copies of BUF_IN. Voltage swing depends on VDD3.3_2.5 power supply.
DDR[0:5]C_SDRAM [1,3,5,7,9, 11]	4, 8, 13, 18, 22, 26	Clock outputs. These outputs provide complementary copies of BUF_IN when SEL_DDR is active. These outputs provide copies of BUF_IN when SEL_DDR is inactive. Voltage swing depends on VDD3.3_2.5 power supply.
VDD3.3_2.5	5, 9, 14, 21, 25	Connect to 2.5V power supply when W256 is configured for DDR-ONLY mode. Connect to 3.3V power supply, when W256 is configured for standard SDRAM mode.
GND	6, 11, 17, 20, 24	Ground.

Serial Configuration Map

- The Serial bits will be read by the clock driver in the following order:
 - Byte 0 — Bits 7, 6, 5, 4, 3, 2, 1, 0
 - Byte 1 — Bits 7, 6, 5, 4, 3, 2, 1, 0
 - ...
 - Byte N — Bits 7, 6, 5, 4, 3, 2, 1, 0
- Reserved and unused bits should be programmed to "0".
- SMBus Address for the W256 is:

Table 1.

A6	A5	A4	A3	A2	A1	A0	R/W
1	1	0	1	0	0	1	—

**Byte 6: Outputs Active/Inactive Register
(1 = Active, 0 = Inactive), Default = Active**

Bit	Pin #	Description	Default
Bit 7	—	Reserved, drive to 0	0
Bit 6	—	Reserved, drive to 0	0
Bit 5	—	Reserved, drive to 0	0
Bit 4	1	FBOUT	1
Bit 3	27, 26	DDR5T_SDRAM10, DDR5C_S- DRAM11	1
Bit 2	—	Reserved, drive to 0	1
Bit 1	23, 22	DDR4T_SDRAM8, DDR4C_S- DRAM9	1
Bit 0	—	Reserved, drive to 0	1

**Byte 7: Outputs Active/Inactive Register
(1 = Active, 0 = Inactive), Default = Active**

Bit	Pin #	Description	Default
Bit 7	—	Reserved, drive to 0	1
Bit 6	19, 18	DDR3T_SDRAM6, DDR3C_SDRAM7	1
Bit 5	12, 13	DDR2T_SDRAM4, DDR2C_SDRAM5	1
Bit 4	—	Reserved, drive to 0	1
Bit 3	—	Reserved, drive to 0	1
Bit 2	7, 8	DDR1T_SDRAM2, DDR1C_SDRAM3	1
Bit 1	—	Reserved, drive to 0	1
Bit 0	3, 4	DDR0T_SDRAM0, DDR0C_SDRAM1	1

Maximum Ratings

Supply Voltage to Ground Potential.....-0.5 to +7.0V
 DC Input Voltage (except BUF_IN)..... -0.5V to V_{DD}+0.5
 Storage Temperature -65°C to +150°C
 Static Discharge Voltage.....>2000V
 (per MIL-STD-883, Method 3015)

Operating Conditions^[2]

Parameter	Description	Min.	Typ.	Max.	Unit
V _{DD3.3}	Supply Voltage	3.135		3.465	V
V _{DD2.5}	Supply Voltage	2.375		2.625	V
T _A	Operating Temperature (Ambient Temperature)	0		70	°C
C _{OUT}	Output Capacitance		6		pF
C _{IN}	Input Capacitance		5		pF

Electrical Characteristics Over the Operating Range

Parameter	Description	Test Conditions	Min.	Typ.	Max.	Unit
V _{IL}	Input LOW Voltage	For all pins except SMBus			0.8	V
V _{IH}	Input HIGH Voltage		2.0			V
I _{IL}	Input LOW Current	V _{IN} = 0V			50	μA
I _{IH}	Input HIGH Current	V _{IN} = V _{DD}			50	μA
I _{OH}	Output HIGH Current	V _{DD} = 2.375V V _{OUT} = 1V	-18	-32		mA
I _{OL}	Output LOW Current	V _{DD} = 2.375V V _{OUT} = 1.2V	26	35		mA
V _{OL}	Output LOW Voltage ^[3]	I _{OL} = 12 mA, V _{DD} = 2.375V			0.6	V
V _{OH}	Output HIGH Voltage ^[3]	I _{OH} = -12 mA, V _{DD} = 2.375V	1.7			V
I _{DD}	Supply Current ^[3] (DDR-Only mode)	Unloaded outputs, 133 MHz			400	mA
I _{DD}	Supply Current (DDR-Only mode)	Loaded outputs, 133 MHz			500	mA
I _{DDs}	Supply Current	PWR_DWN# = 0			100	μA
V _{OUT}	Output Voltage Swing	See Test Circuitry (Refer to Figure 1)	0.7		V _{DD} + 0.6	V
V _{OC}	Output Crossing Voltage		(V _{DD} /2) -0.1	V _{DD} /2	(V _{DD} /2) +0.1	V
I _{NDC}	Input Clock Duty Cycle		48		52	%

Notes:

- Multiple Supplies: The voltage on any input or I/O pin cannot exceed the power pin during power-up. Power supply sequencing is NOT required.
- Parameter is guaranteed by design and characterization. Not 100% tested in production.

Switching Characteristics^[4]

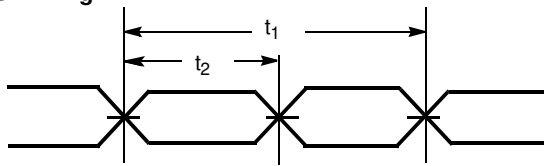
Parameter	Name	Test Conditions	Min.	Typ.	Max.	Unit
-	Operating Frequency		66		180	MHz
-	Duty Cycle ^[4,5] = t ₂ ÷ t ₁	Measured at 1.4V for 3.3V outputs Measured at V _{DD} /2 for 2.5V outputs.	I _{NDC} -5%		I _{NDC} +5%	%
t ₃	SDRAM Rising Edge Rate ^[4]	Measured between 0.4V and 2.4V	1.0		2.50	V/ns
t ₄	SDRAM Falling Edge Rate ^[4]	Measured between 2.4V and 0.4V	1.0		2.50	V/ns

Switching Characteristics^[4]

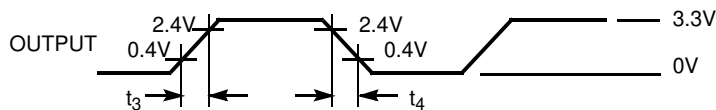
Parameter	Name	Test Conditions	Min.	Typ.	Max.	Unit
t_{3d}	DDR Rising Edge Rate ^[4]	Measured between 20% to 80% of output (Refer to <i>Figure 1</i>)	0.5		1.50	V/ns
t_{4d}	DDR Falling Edge Rate ^[4]	Measured between 20% to 80% of output (Refer to <i>Figure 1</i>)	0.5		1.50	V/ns
t_5	Output to Output Skew ^[4]	All outputs equally loaded			100	ps
t_6	Output t_{4o} Output Skew for SDRAM ^[2]	All outputs equally loaded			150	ps
t_7	SDRAM Buffer HH Prop. Delay ^[4]	Input edge greater than 1 V/ns	5		10	ns
t_8	SDRAM Buffer LL Prop. Delay ^[4]	Input edge greater than 1 V/ns	5		10	ns

Switching Waveforms

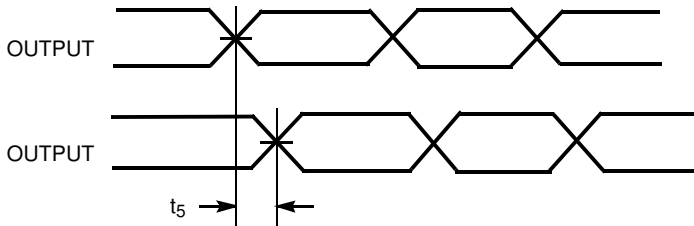
Duty Cycle Timing



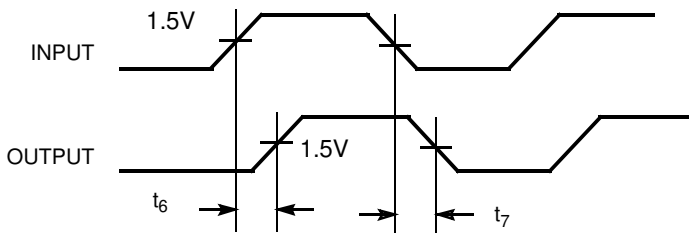
All Outputs Rise/Fall Time



Output-Output Skew



SDRAM Buffer HH and LL Propagation Delay



Notes:

4. All parameters specified with loaded outputs.
5. Duty cycle of input clock is 50%. Rising and falling edge rate is greater than 1V/ns.

Figure 1 shows the differential clock directly terminated by a 120 Ω resistor.

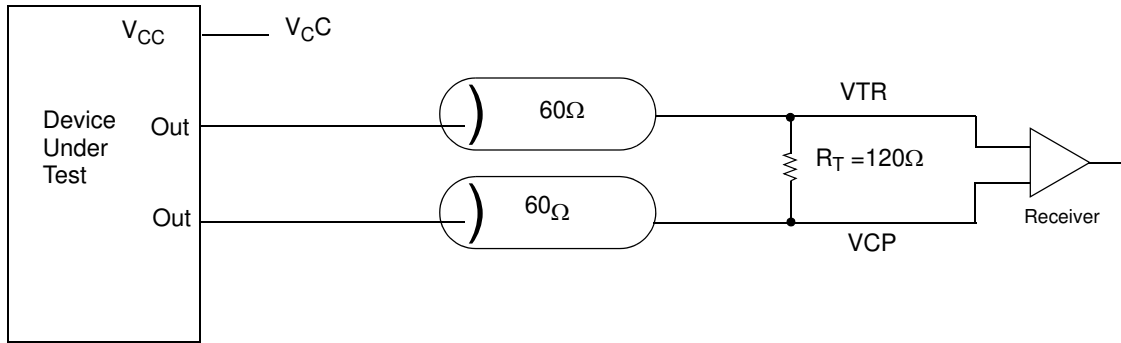
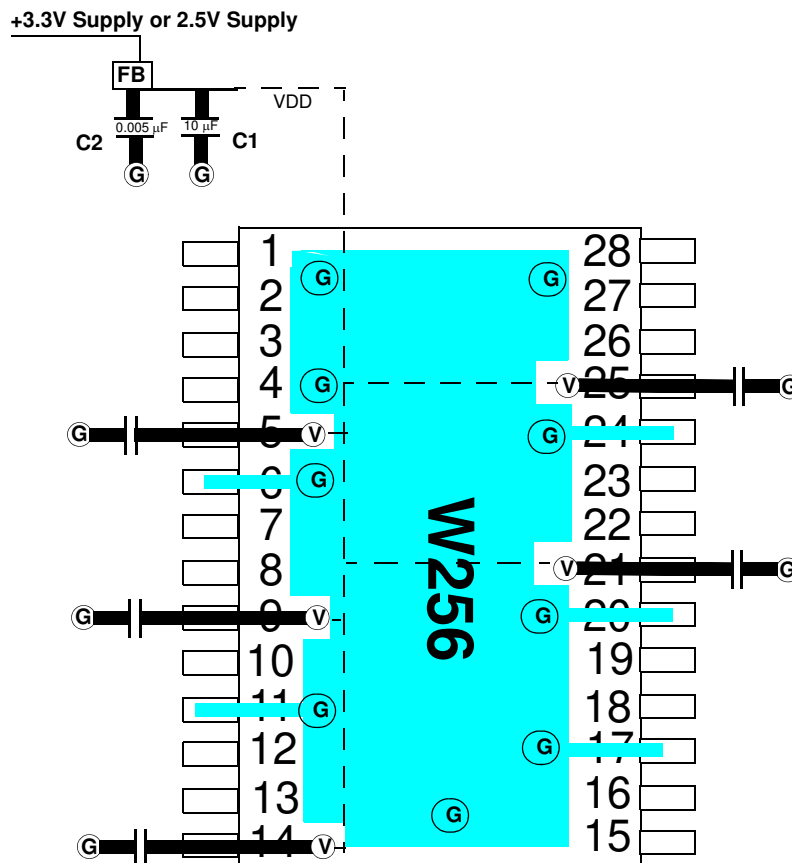


Figure 1. Differential Signal Using Direct Termination Resistor

Layout Example Single Voltage



FB = Dale ILB1206 – 300 (300Ω @ 100 MHz)

Ceramic Caps C1 = 10–22 μF C2 = 0.005 μF

ⓐ = VIA to GND plane layer Ⓥ = VIA to respective supply plane layer

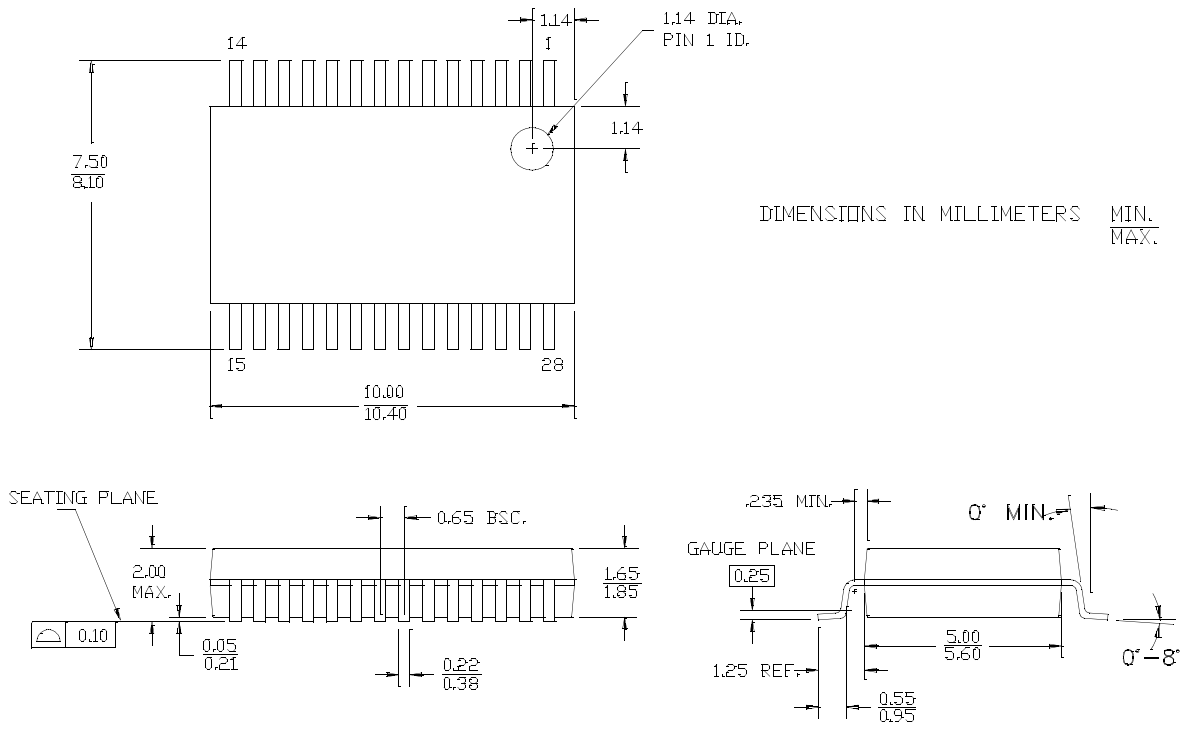
**Note: Each supply plane or strip should have a ferrite bead and capacitors
All bypass caps = 0.1 μF ceramic**

Ordering Information

Ordering Code	Package Type	Operating Range
W256H	28-pin SSOP	Commercial
W256HT	28-pin SSOP – Tape and Reel	Commercial
Lead Free		
CYW256OXC	28-pin SSOP	Commercial
CYW256OXCT	28-pin SSOP – Tape and Reel	Commercial

Package Drawings and Dimension

28-Lead (5.3 mm) Shrunk Small Outline Package O28





ClockBuilder Pro

One-click access to Timing tools, documentation, software, source code libraries & more. Available for Windows and iOS (CBGo only).

www.silabs.com/CBPro



Timing Portfolio
www.silabs.com/timing



SW/HW
www.silabs.com/CBPro



Quality
www.silabs.com/quality



Support and Community
community.silabs.com

Disclaimer

Silicon Laboratories intends to provide customers with the latest, accurate, and in-depth documentation of all peripherals and modules available for system and software implementers using or intending to use the Silicon Laboratories products. Characterization data, available modules and peripherals, memory sizes and memory addresses refer to each specific device, and "Typical" parameters provided can and do vary in different applications. Application examples described herein are for illustrative purposes only. Silicon Laboratories reserves the right to make changes without further notice and limitation to product information, specifications, and descriptions herein, and does not give warranties as to the accuracy or completeness of the included information. Silicon Laboratories shall have no liability for the consequences of use of the information supplied herein. This document does not imply or express copyright licenses granted hereunder to design or fabricate any integrated circuits. The products are not designed or authorized to be used within any Life Support System without the specific written consent of Silicon Laboratories. A "Life Support System" is any product or system intended to support or sustain life and/or health, which, if it fails, can be reasonably expected to result in significant personal injury or death. Silicon Laboratories products are not designed or authorized for military applications. Silicon Laboratories products shall under no circumstances be used in weapons of mass destruction including (but not limited to) nuclear, biological or chemical weapons, or missiles capable of delivering such weapons.

Trademark Information

Silicon Laboratories Inc.®, Silicon Laboratories®, Silicon Labs®, SiLabs® and the Silicon Labs logo®, Bluegiga®, Bluegiga Logo®, Clockbuilder®, CMEMS®, DSPLL®, EFM®, EFM32®, EFR®, Ember®, Energy Micro, Energy Micro logo and combinations thereof, "the world's most energy friendly microcontrollers", Ember®, EZLink®, EZRadio®, EZRadioPRO®, Gecko®, ISOModem®, Precision32®, ProSLIC®, Simplicity Studio®, SiPHY®, Telegesis, the Telegesis Logo®, USBXpress® and others are trademarks or registered trademarks of Silicon Laboratories Inc. ARM, CORTEX, Cortex-M3 and THUMB are trademarks or registered trademarks of ARM Holdings. Keil is a registered trademark of ARM Limited. All other products or brand names mentioned herein are trademarks of their respective holders.



Silicon Laboratories Inc.
400 West Cesar Chavez
Austin, TX 78701
USA

<http://www.silabs.com>