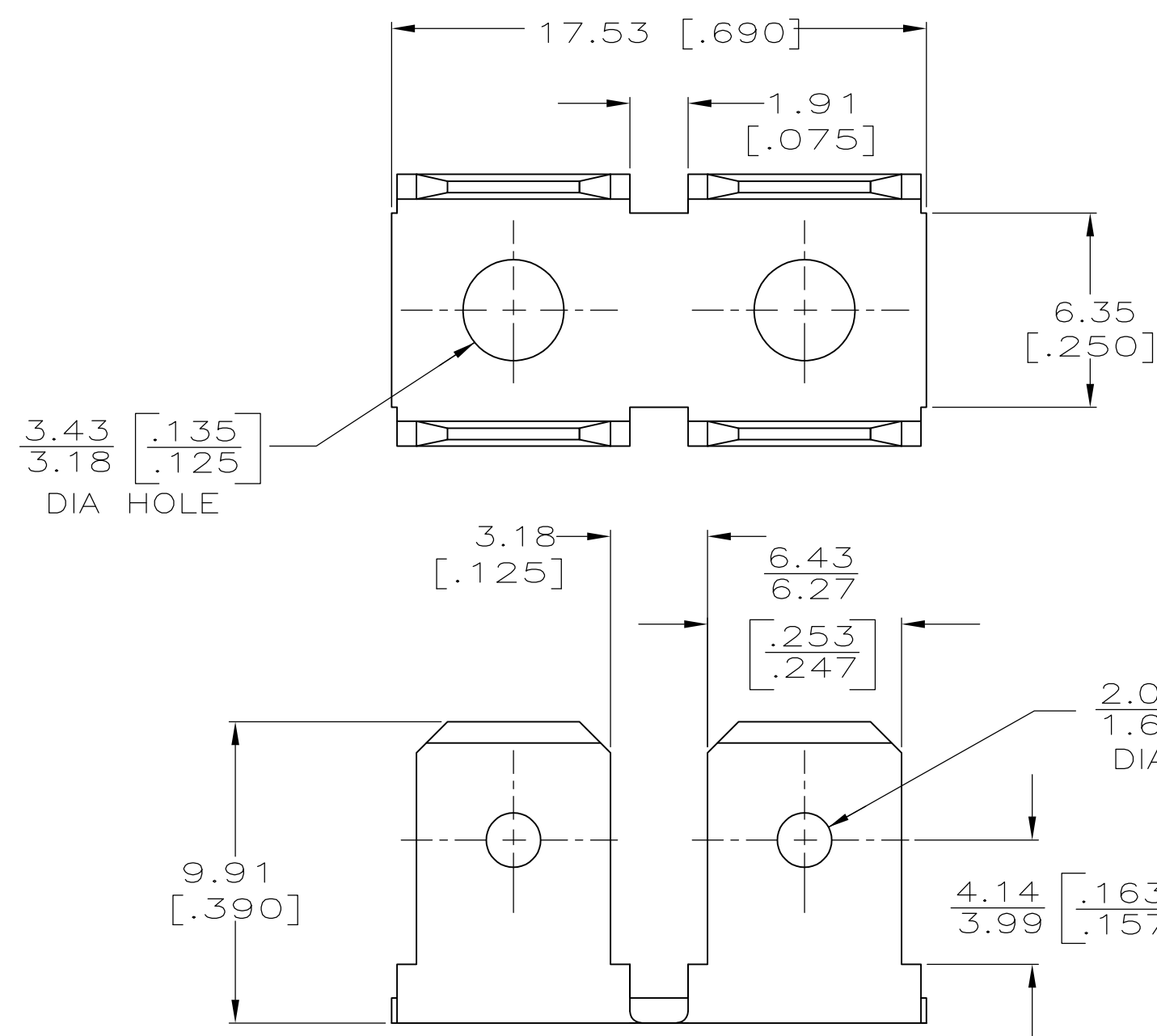
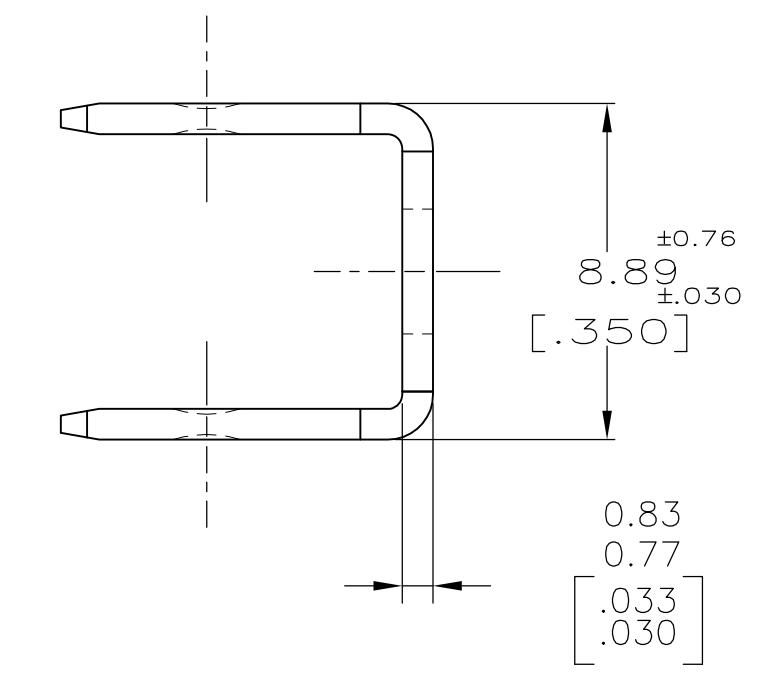


THIS DRAWING IS UNPUBLISHED. RELEASED FOR PUBLICATION
 © COPYRIGHT - By - ALL RIGHTS RESERVED.


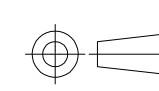
| | | | | | | | |
|-----|------|-----------|-----|---------------------------|-----------|-----|------|
| LOC | DIST | REVISIONS | | | | | |
| AF | 50 | P | LTR | DESCRIPTION | DATE | DWN | APVD |
| | | AG | | REVISED PER ECR-13-011489 | 09DEC2013 | KH | PD |



1 SUPPLIED IN LOOSE PIECE.



41481
PART NO

| | | | | | | | | |
|---|-------|------------------|----------|------------------|--|---------|---------------|---------------|
| THIS DRAWING IS A CONTROLLED DOCUMENT. | | DWN | JR RUTH | 12/2/91 |  TE Connectivity NAME TAB, FASTON, 6.35 [.250] SERIES | | | |
| DIMENSIONS: mm [INCHES] | | CHK | MS FEHER | 12/2/91 | | | | |
|  | | APVD | MEYERS | 12/2/91 | | | | |
| TOLERANCES UNLESS OTHERWISE SPECIFIED: 0 PLC ± - 1 PLC ± - 2 PLC ± - 3 PLC ± 0.38 [.015] 4 PLC ± - ANGLES ± - | | PRODUCT SPEC | - | | | | | |
| MATERIAL | BRASS | FINISH | TIN | APPLICATION SPEC | - | | RESTRICTED TO | |
| | | WEIGHT | - | | SIZE | A3 | CAGE CODE | 00779 |
| | | CUSTOMER DRAWING | | | DRAWING NO | C-41481 | | RESTRICTED TO |
| | | SCALE | 5:1 | | SHEET | 1 OF 1 | | REV |
| | | | | | | | | AG |