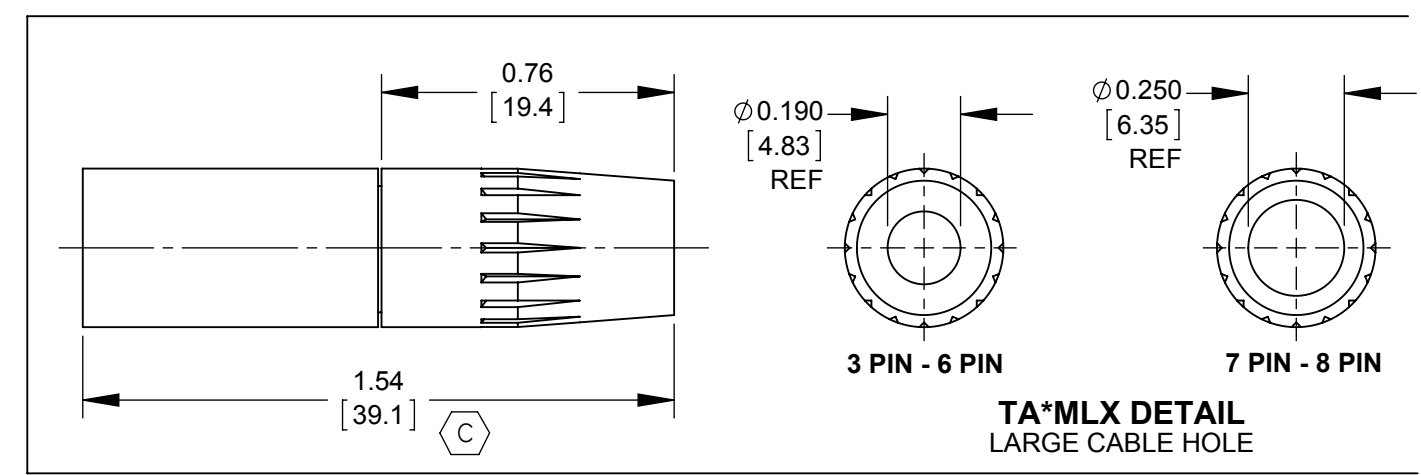
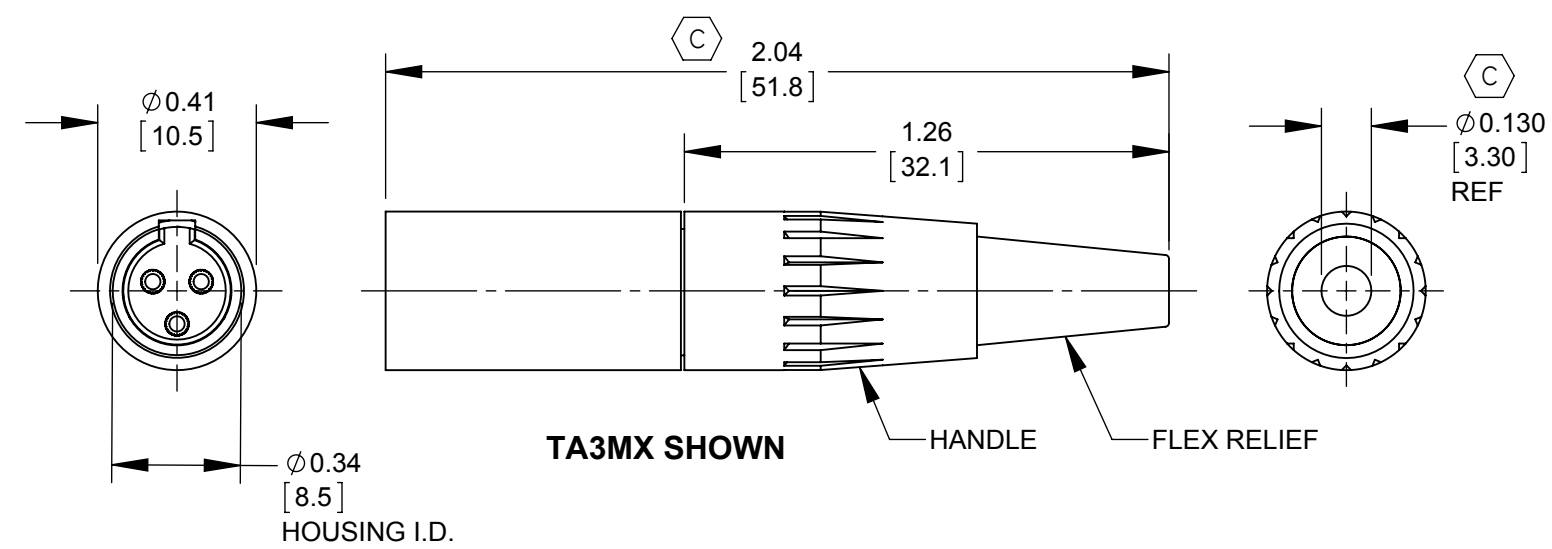


AS VIEWED FROM FRONT MATING VIEW



CUSTOMER DRAWING

NOTES:

1. MATERIALS:
 HOUSING - COPPER ALLOY, NICKEL PLATED OR BLACK CHROME PLATED
 CONTACTS - COPPER ALLOY, SILVER PLATED OR GOLD PLATED
 INSERT - THERMOPLASTIC, DARK BROWN
 INSULATOR - THERMOPLASTIC, DARK BROWN
 CABLE CLAMP - STEEL, ELECTRO-TIN PLATED
 HANDLE - THERMOPLASTIC, BLACK, WHITE, OR NICKEL PLATED
 FLEX RELIEF - THERMOPLASTIC, BLACK OR WHITE

2. THIS PRODUCT IS RoHS COMPLIANT.

REV	ECO NUMBER	DATE	BY	APVD
F	27788	10-13-16	PC	TJK
E	27486	04-20-15	PC	TJK
D	26500	02-03-10	JEB	TJK
C	25955	09-22-08	JEB	TJK
B	25885	06-10-08	JEB	TJK
A	25229	12-21-05	AH	TJK

REVISIONS

UNLESS OTHERWISE SPECIFIED

1. ALL DIMENSIONS IN INCHES [mm]
 - TWO PLACE DECIMALS ± 0.02 [0.5]
 - THREE PLACE DECIMALS ± 0.005 [0.13]

DO NOT SCALE DRAWING

THIS DRAWING DESCRIBES A DESIGN CONSIDERED PROPRIETARY IN NATURE, DEVELOPED AND MANUFACTURED BY SWITCHCRAFT INC. AND IS RELEASED ON A CONFIDENTIAL BASIS FOR IDENTIFICATION PURPOSES ONLY.									
SIZE	WIDTH	MULT	LBS/M	TEMPER					
FINISH					MATERIAL				
SPEC No.					SPEC No.				
FIRST USED ON					SCALE 2:1				
DATE DRAWN	BY	CHKD	APVD	Switchcraft®					
06-12-12	JEB	JEB	TJK	SHEET 1 OF 1					
NAME				PART No.			REV		
TINI QG MALE				TA_MX SERIES			F		
STRAIGHT CORD PLUG, RoHS									