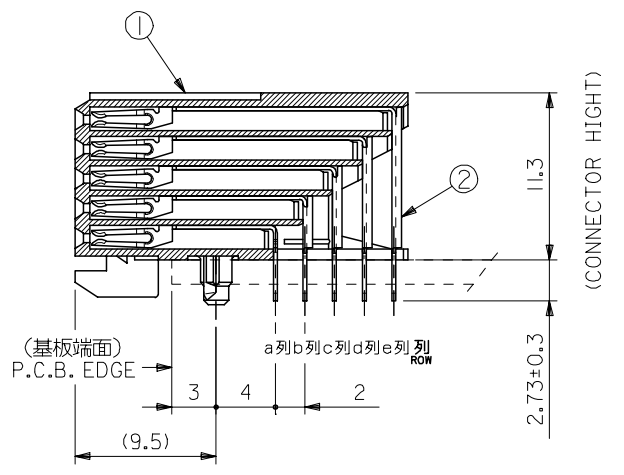
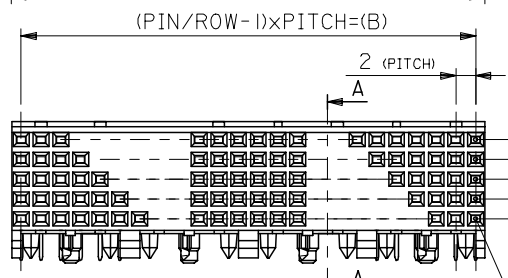
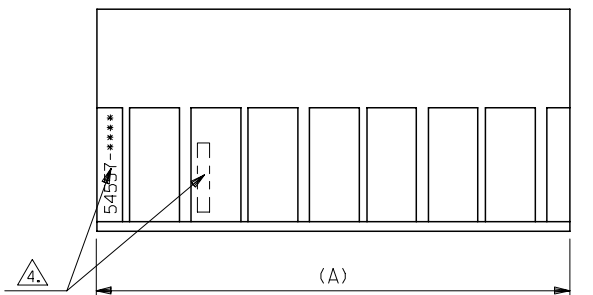


番号 No.	部品 PART NAME	材質 MATERIAL	仕上げ FINISH
①	リセプタクル ハウジング RECEPTACLE HOUSING	液晶ポリマー、ガラス充填、自然色(白)、UL94V-0 LIQUID CRYSTAL POLYMER, GLASS FILLED, NATURAL(WHITE), UL94V-0	—
②	リセプタクル ターミナル RECEPTACLE TERMINAL	リン青銅 PHOSPHOR BRONZE	△1

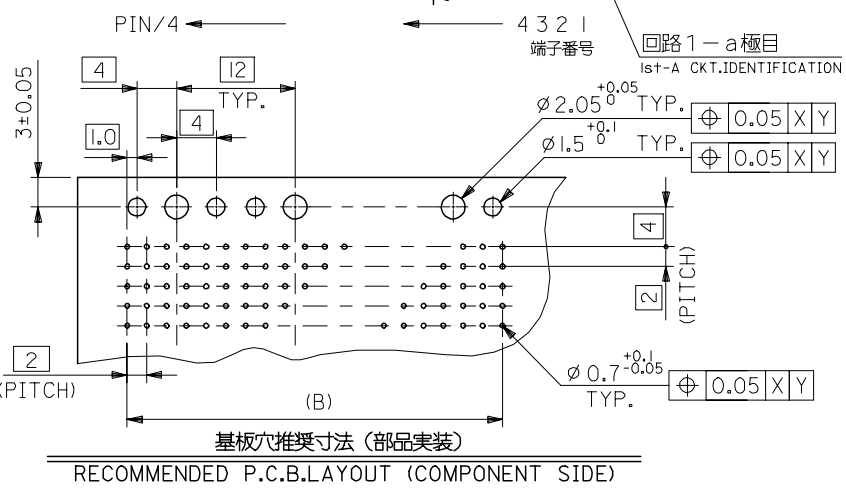


A-A
(NON-SCALE)

注記
NOTE :

- △ターミナル めっき仕様
TERMINAL PLATING
 金めっき: 0.76 µm MIN.(接点部)
 GOLD : 0.76 µm MIN.(CONTACT AREA)
 TIN : 1.0 ~ 2.5 µm.(半田付け部)
 TIN : 1.0 ~ 2.5 µm.(SOLDER AREA)
 ニッケルメッキ: 2.0 µm MIN.(下地めっき)
 NICKEL : 2.0 µm MIN.(UNDER PLATING)
- 2.推奨基板厚 : t=1.6mm
 RECOMMENDED P.C.B. THICKNESS : t=1.6mm
- 3.適合プラグ : 55060, 55332, 55333
 APPLICABLE PLUG :
- △ 製品番号及びロットナンバー
 MATERIAL NO. & LOT NO.

94	95.98	54557-2409	240
46	47.98	54557-1209	120
22	23.98	54557-0609	60
10	11.98	54557-0309	30
B	A	MATERIAL NO.	PIN



RECOMMENDED P.C.B.LAYOUT (COMPONENT SIDE)

DO NOT SCALE DRAWING					MODEL NO. : 54557-***9			DIMENSIONS:		SHT	REV
EC NO. DRWN: CHK: APPR:	EC NO. DRWN: CHK: APPR:	EC NO. DRWN: CHK: APPR:	EC NO. DRWN: CHK: APPR:	EC NO. DRWN: CHK: APPR:	GENERAL TOLERANCES: (UNLESS SPECIFIED) 一般公差	SCALE 2-1	DESIGN UNITS <input checked="" type="checkbox"/> mm <input type="checkbox"/> INCH	THIRD ANGLE PROJECTION	<input type="checkbox"/> mm <input type="checkbox"/> INCH	<input type="checkbox"/> mm <input checked="" type="checkbox"/> ONLY	REVISE ON CAD ONLY
				FINISH 仕上げ	10 UNDER 未滿	±0.2	DRAWN BY & DATE Harvey Wang Nov.02/04	TITLE: "MFB" B/B CONN. (FB+) REC. ASS'Y 5ROW DIP (LEAD FREE)			
				WIRE RANGE 適用電線範囲	10 OVER 以上	±0.25	CHECKED BY & DATE Grate Ma Nov.02/04	MOLEX INCORPORATED			
				INS. RANGE 被覆外径	30 OVER 以上	±0.3	APPROVED BY & DATE	MATERIAL NO. SEE TABLE	DRAWING NO. SD-54557-004	SHEET NO. 1 OF 1	SIZE B
				REV	ANGLE 角度	±3°	CAD FILENAME SD-54557-004.S01	THIS DRAWING CONTAINS INFORMATION THAT IS PROPRIETARY TO MOLEX INCORPORATED AND SHOULD NOT BE USED WITHOUT WRITTEN PERMISSION.			
								EN-02J(097) MXJ-54			