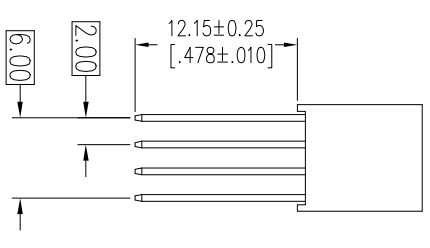
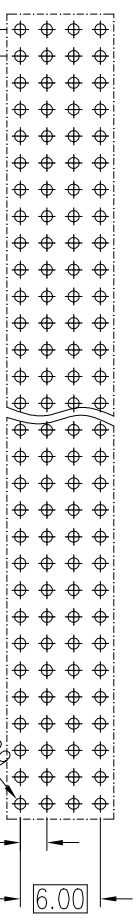


- NOTES:
1. MATERIAL: INSULATION MATERIAL: PA9T+33%GF UL94V-0 CONTACT MATERIAL: PHOSPHER BRONZE CONTACT PLATING: NICKEL UNDERPLATE, GOLD REFER TO ORDERING CODE
 2. OPERATION TEMPERATURE: -55°C TO +105°C
 3. RECOMMEND PROCESS: PRESS FIT
 4. INSULATION RESISTANCE: 1000MΩ AT 500V/MIN
 5. WITHSTAND VOLTAGE: 1000V AC/DC
 6. RATED VOLTAGE: 12V, RATED CURRENT: 2AMP
 7. CONTACT RESISTANCE: 30mΩ MAX
 8. PRODUCT SPEC: GS-12-1544, PACKING SPEC: GS-14-2677
 9. ORDERING CODE: 10153305-XX X X X LEAD FREE NO. OF PINS NO. OF ROW 02~40PIN
- TYPE CODE
1: FINISHED GOODS WITHOUT CAP
2: FINISHED GOODS WITH CAP(PN:10153824)
- PACKAGE
1: TUBE
2: 10u" GOLD AT MATING AREA+3u" Gold AT TAIL



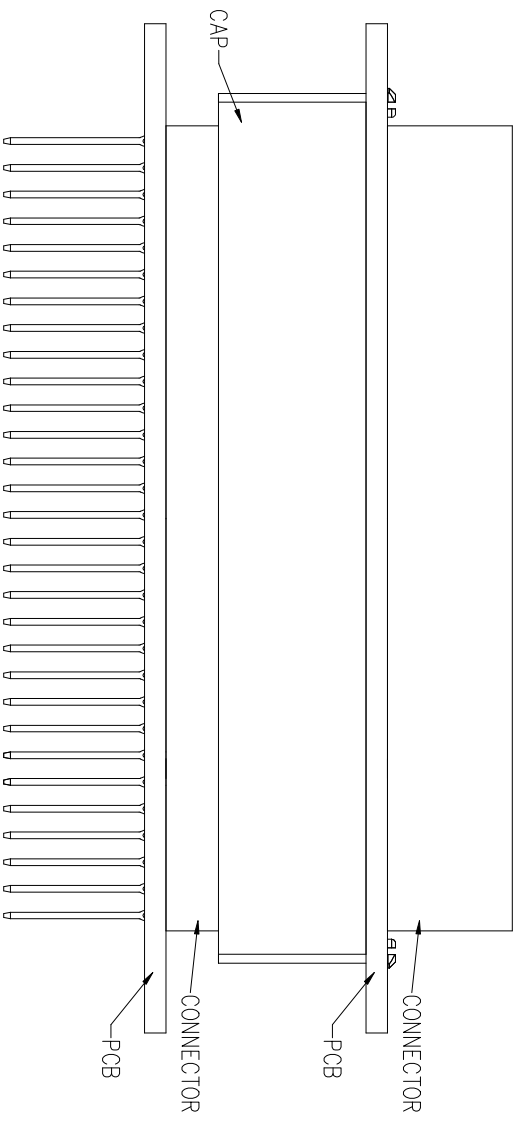
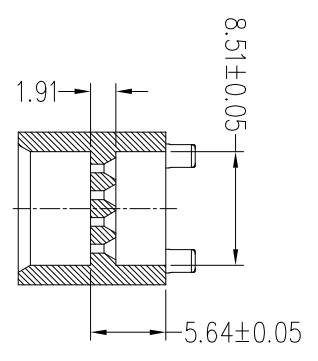
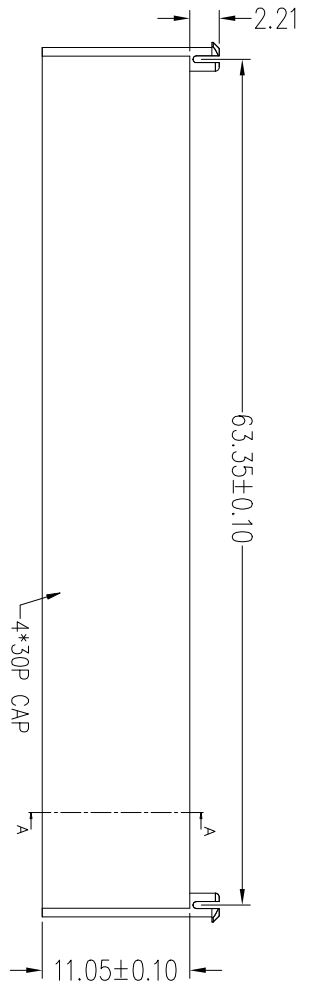
Recommended P.C.B Layout (Top Side)
(PCB BOARD TOLERANCE ± 0.05)

Ø 0.85 ± 0.03
2.00



mat'l. code	surface	tolerance	projection	product family
1tr ecn no dr date	ISO 1302	ISO 406 ISO	110°	PC104
A New Release JASON 2019-07-15	tolerances unless otherwise specified	.XX±.25	mm	2.00pitch PC104 4row vertical PF
angle in in in in	.XXX±.15	scale 1:1		
dr Jason Wang 2019-06-20	3±.x'			dwg no
eng Jason Wang 2019-07-15				10153305
chr - -				sheet 1 of 2 size
pppd TIM YAO 2019-07-15				A3
sheet revision A				type Product Customer Drawing
index sheet 1				

1 2 3 4 5 6



- 1. CAP IS OPTIONAL
- 2. MATED WITH 10153305-301XXLF
- 3. ORDERING CODE: 10153824-XX X LF
- NO. OF PINS
- LEAD FREE
- 30: PER ROW 30PIN
- PACKAGE
- 1: TUBE

MATED STATUS

mat'l. code	ISO 1302	tolerance	ISO 406	ISO 1101	projection	product family
itr ecn no dr date	tolerances unless otherwise specified					PC104
A New Release JASON 2019-07-15	angles linear .XX±.25	.XX±.40		mm	2.00pitch PC104 4row vertical PF	
	3±x'	.XXX±.15	scale 1:1			
dr Jason Wang 2019-06-20						
eng Jason Wang 2019-07-15						
chr - -						
qppd TIM YAO 2019-07-15						
sheet revision A					dwg no	
index sheet 2					10153305	
					sheet 2 of 1	
					size	
					A3	

