

THE INFORMATION CONTAINED HEREIN IS CONSIDERED "PROPRIETARY" TO BEL FUSE INC. AND SHALL NOT BE COPIED, REPRODUCED OR DISCLOSED WITHOUT THE WRITTEN APPROVAL OF BEL FUSE INC.

RoHS
2002/95/EC



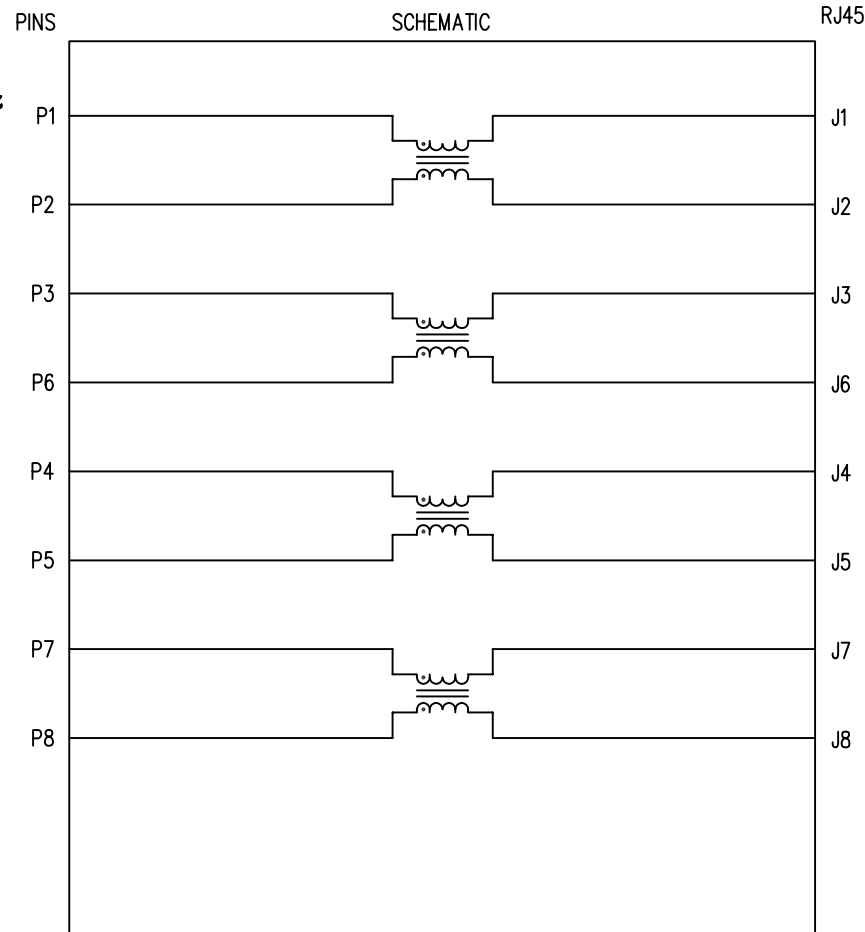
ELECTRICAL CHARACTERISTICS @ 25°C

1.0 INDUCTANCE: (P1-J1):(P3-J3):(P4-J4):(P7-J7) : 65 uH TYP @.05V, 100KHz

2.0 DC RESISTANCE: P8-J8 = P7-J7 : .5 OHM MAX
 P6-J6 = P3-J3 : .5 OHM MAX
 P5-J5 = P4-J4 : .5 OHM MAX
 P2-J2 = P1-J1 : .5 OHM MAX

3.0 COMMON MODE : CMA (-dB)

FREQUENCY (MHz)	TYPICAL	MIN
1	8	5
5	17	15
20	23	15
70	25	20
200	22	17
500	11	6

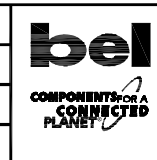


ORIGINATED BY	DATE	TITLE
Jack Deng	11-23-2009	 CMC, 1000BT, TAB UP, SHIELDED
DRAWN BY	DATE	
Jack Deng	11-23-2009	

PART NO. / DRAWING NO.	STANDARD DIM.	[] METRIC DIM. AS REFERENCE	
SI-50184-F	TOL. IN INCH	UNIT : INCH [mm]	REV. : A0
FILE NAME	.X	SCALE : N/A	SIZE : A4
SI-50184-F.DWG	.XX		PAGE : 2
	.XXX ±0.005		

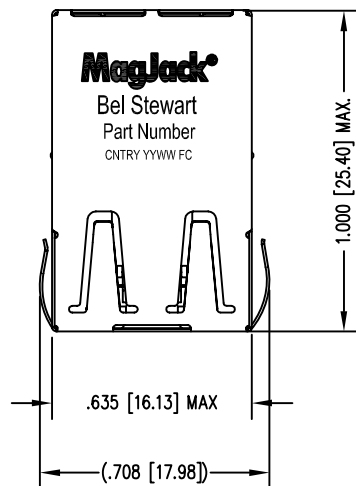
STANDARD DIM.	[] METRIC DIM. AS REFERENCE
TOL. IN INCH	UNIT : INCH [mm]
.X	SCALE : N/A
.XX	REV. : A0
.XXX ±0.005	SIZE : A4
	PAGE : 2

UNIT : INCH [mm]	REV. : A0
SCALE : N/A	SIZE : A4
	PAGE : 2



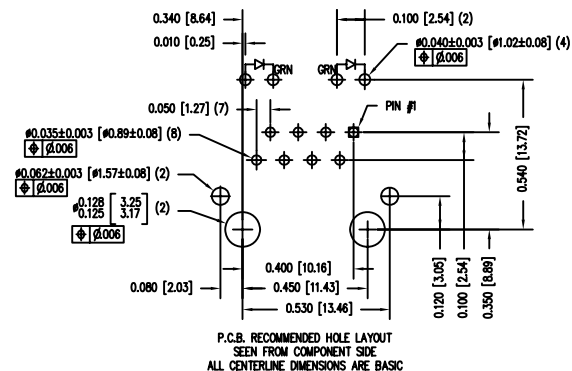
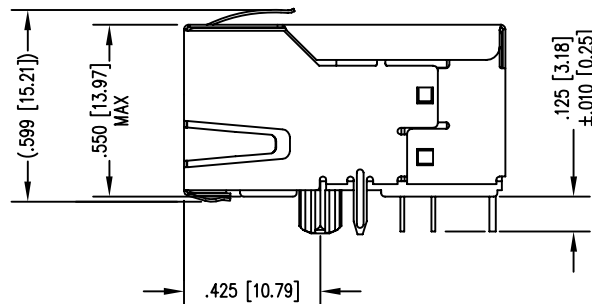
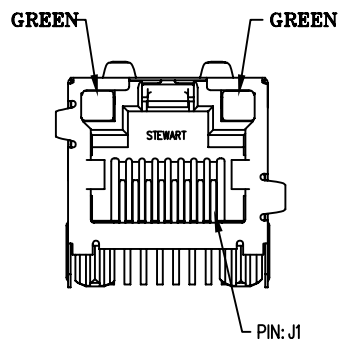
THE INFORMATION CONTAINED HEREIN IS CONSIDERED "PROPRIETARY" TO BEL FUSE INC. AND SHALL NOT BE COPIED, REPRODUCED OR DISCLOSED WITHOUT THE WRITTEN APPROVAL OF BEL FUSE INC.

RoHS
2002/95/EC



LED SPECIFICATION			
STANDARD LED	WAVELENGTH	* Forward V (MAX)	(TYP)
GREEN	565 nm	2.5 V	2.2 V

*WITH A FORWARD CURRENT OF 20 mA



NOTES:

- CONNECTOR MATERIALS:
HOUSING: THERMOPLASTIC UL94 V-0
CONTACT/SHIELD: COPPER ALLOY
SHIELD PLATING: NICKEL OR TIN
CONTACT PLATING: SELECTIVE GOLD,
50 MICRO-INCHES MIN. IN CONTACT AREA.
- PIN NOT ELECTRICALLY CONNECTED MAYBE OMITTED.
SEE ELECTRICAL DRAWING FOR OMITTED PINS.
- TOLERANCES COMPLY WITH F.C.C. DIMENSION REQUIREMENTS.
- THE SUGGESTED PANEL OPENING IS INTENDED TO GIVE USER THE ABILITY TO HAVE REASONABLE JACK/PANEL CLEARANCES, YET MAINTAIN GROUNDING CAPABILITY.
- WAVE SOLDER COMPATIBLE - PREHEAT 125°C/90SECS.

ORIGINATED BY	DATE	TITLE
Jack Deng	11-23-2009	MagJack CMC, 1000BT, TAB UP, SHIELDED
DRAWN BY	DATE	
Jack Deng	11-23-2009	

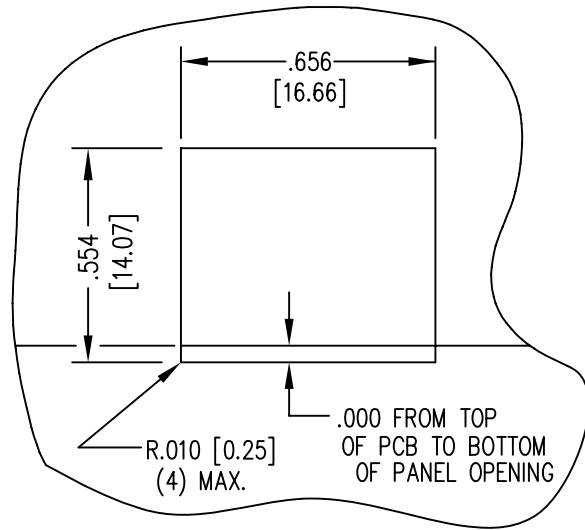
PART NO. / DRAWING NO.	STANDARD DIM.	[] METRIC DIM. AS REFERENCE
SI-50184-F	TOL. IN INCH	UNIT : INCH [mm] REV. : A0
FILE NAME	.X	SCALE : N/A SIZE : A4
SI-50184-F.DWG	.XX	⊕
	.XXX	±0.005

REV. : A0	SIZE : A4	PAGE : 3
-----------	-----------	----------

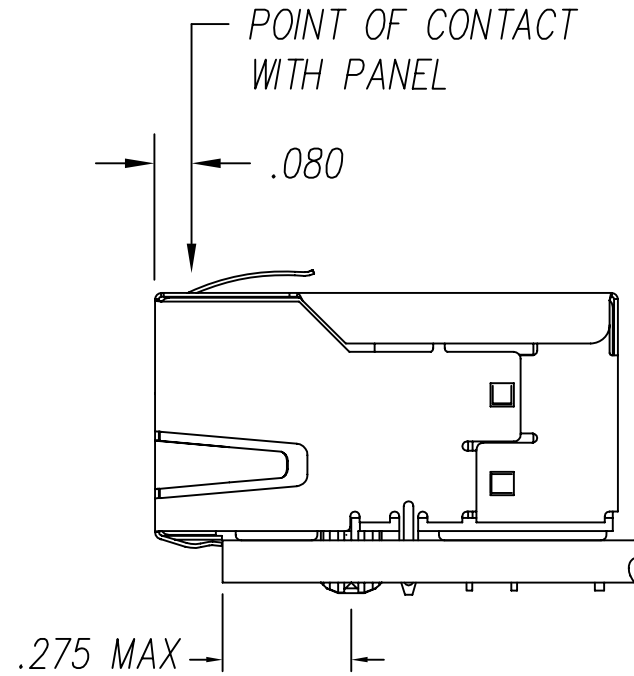
bel	
COMPONENTS FOR A CONNECTED PLANET	

THE INFORMATION CONTAINED HEREIN IS CONSIDERED "PROPRIETARY" TO BEL FUSE INC. AND SHALL NOT BE COPIED, REPRODUCED OR DISCLOSED WITHOUT THE WRITTEN APPROVAL OF BEL FUSE INC.

RoHS
2002/95/EC



SUGGESTED PANEL OPENING
(N.T.S.)



ORIGINATED BY	DATE
Jack Deng	11-23-2009
DRAWN BY	DATE
Jack Deng	11-23-2009

TITLE
MagJack[®] CMC, 1000BT, TAB UP, SHIELDED

PART NO. / DRAWING NO.
SI-50184-F
FILE NAME
SI-50184-F.DWG

STANDARD DIM.	
TOL. IN INCH	
.X	
.XX	
.XXX	±0.005

[] METRIC DIM. AS REFERENCE	REV. : A0
UNIT : INCH [mm]	SIZE : A4
SCALE : N/A	PAGE : 4

