



Connectors > Rectangular Connectors > Connector Contacts



Contact Type: **Pin**

Wire Size: **.14 – .5 mm²**

Connector & Contact Terminates To: **Wire & Cable**

Features

Product Type Features

Connector & Contact Terminates To	Wire & Cable
-----------------------------------	--------------

Contact Features

Contact Type	Pin
--------------	-----

Dimensions

Wire Size	.14 – .5 mm ²
-----------	--------------------------

Packaging Features

Packaging Quantity	20
Packaging Method	Package

Product Compliance

[For compliance documentation, visit the product page on TE.com>](#)

EU RoHS Directive 2011/65/EU	Compliant with Exemptions
EU ELV Directive 2000/53/EC	Compliant with Exemptions
China RoHS 2 Directive MIIT Order No 32, 2016	Restricted Materials Above Threshold
EU REACH Regulation (EC) No. 1907/2006	Current ECHA Candidate List: JUNE 2023 (235) Candidate List Declared Against: JUNE 2022 (224) SVHC > Threshold: Pb (1.2% in Component Part) Article Safe Usage Statements: Do not eat, drink or smoke when using this product. Wash thoroughly after handling. Recycle if possible and dispose of the article by following all applicable governmental regulations relevant to your geographic location.
Halogen Content	Low Halogen - Br, Cl, F, I < 900 ppm per

homogenous material. Also BFR/CFR/PVC Free

Solder Process Capability

Not applicable for solder process capability

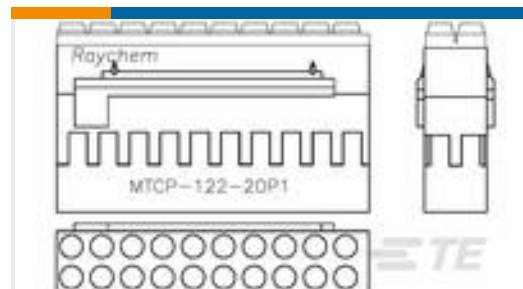
Product Compliance Disclaimer

This information is provided based on reasonable inquiry of our suppliers and represents our current actual knowledge based on the information they provided. This information is subject to change. The part numbers that TE has identified as EU RoHS compliant have a maximum concentration of 0.1% by weight in homogenous materials for lead, hexavalent chromium, mercury, PBB, PBDE, DBP, BBP, DEHP, DIBP, and 0.01% for cadmium, or qualify for an exemption to these limits as defined in the Annexes of Directive 2011/65/EU (RoHS2). Finished electrical and electronic equipment products will be CE marked as required by Directive 2011/65/EU. Components may not be CE marked. Additionally, the part numbers that TE has identified as EU ELV compliant have a maximum concentration of 0.1% by weight in homogenous materials for lead, hexavalent chromium, and mercury, and 0.01% for cadmium, or qualify for an exemption to these limits as defined in the Annexes of Directive 2000/53/EC (ELV). Regarding the REACH Regulation, the information TE provides on SVHC in articles for this part number is based on the latest European Chemicals Agency (ECHA) 'Guidance on requirements for substances in articles' posted at this URL: <https://echa.europa.eu/guidance-documents/guidance-on-reach>

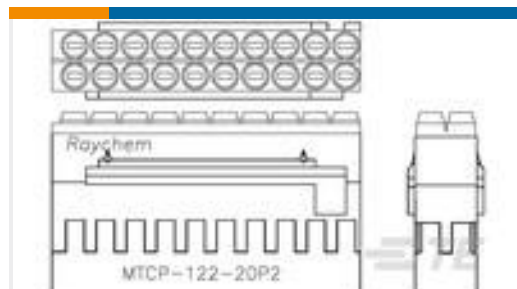
Compatible Parts



TE Part # 953371-000
MTCP-122-20P



TE Part # 603431-000
MTCP-122-20P1



TE Part # 637411-000
MTCP-122-20P2



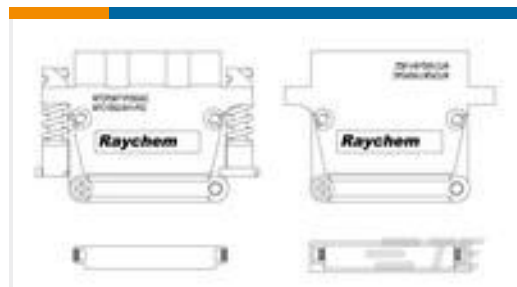
TE Part # 196877-000
MTCP-122-20PQ1



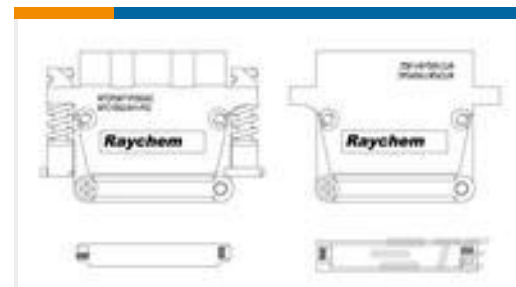
TE Part # 555747-000
MTCP-122-20PQ2



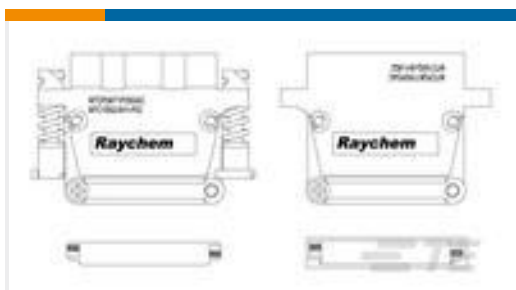
TE Part # 450213-000
CTA-0165



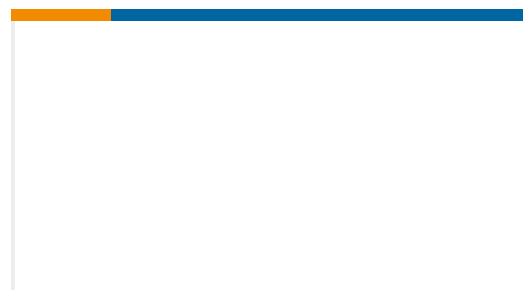
TE Part # CA7503-000
MTCPQKT2P26SGCA



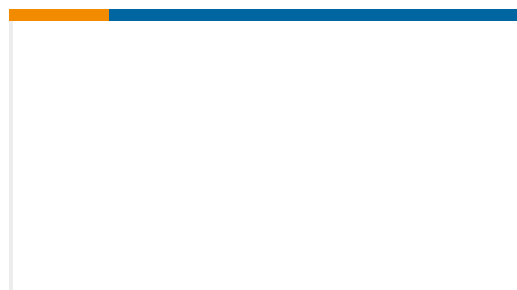
TE Part # CA7864-000
MTCPQKT2P22PFAD



TE Part # CL9426-000
MTCPQKT2P22PFDB



TE Part # 487279-000
MTCP-122-20P-023




TE Part # A70291-000
MTCP-122-20P2-001



TE Part # 850957-000
MTCP-122-20PQ



TE Part # A56800-000
MTCPOKT1P2PGCC



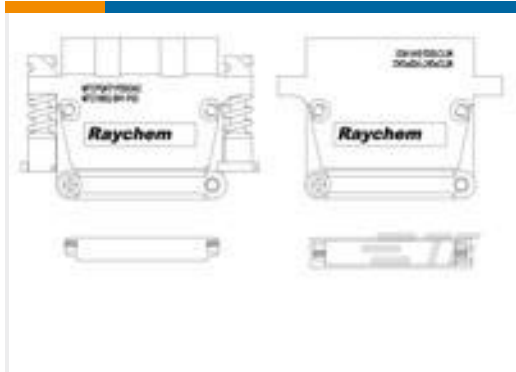
TE Part # C36940-000
MTCPOKT1P2PGDD



TE Part # E31818-000
MTCPOKT2P22PFCA



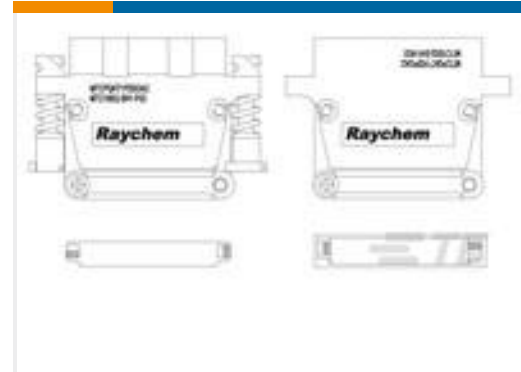
TE Part # EG9626-000
MTCPOKT2P22PFCB



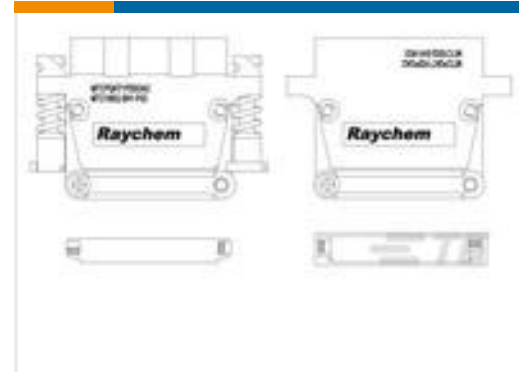
TE Part # D75728-000
MTCPOKT2P22PGBB



TE Part # 735646-001
MTCPOKT2P22PGCB



TE Part # F12338-000
MTCPOKT2P22PGCD



TE Part # E91412-000
MTCPOKT2P26SFAD

Customers Also Bought



TE Part #804495-000
MTCC2P-020-020-01



TE Part #953371-000
MTCP-122-20P




TE Part #650073-000
D-436-43



TE Part #496587-000
MTC100Q-SH1-P22




TE Part #056763-000
MTC100Q-SH1-R22




TE Part #699299-000
MTCX2X-200-200



TE Part #850957-000
MTCP-122-20PQ



TE Part #ZPF00000000101626
787-0016-00



TE Part #Y17SC0270000000000
MODULE

Documents



Product Drawings

[CTA-0166](#)

English

CAD Files

[3D PDF](#)

3D

Customer View Model

[ENG_CVM_CVM_226335-000_J.2d_dxf.zip](#)

English

Customer View Model

[ENG_CVM_CVM_226335-000_J.3d_igs.zip](#)

English

Customer View Model

[ENG_CVM_CVM_226335-000_J.3d_stp.zip](#)

English

By downloading the CAD file I accept and agree to the [Terms and Conditions](#) of use.

Datasheets & Catalog Pages

[Products for Aerospace and Defense](#)

English

Product Specifications

[MTC Quick-Disconnect Connectors with Removable Contacts](#)

English

[MTC Connectors with Removable Contacts and Jackscrew Coupling Hardware](#)

English

Product Environmental Compliance

[TE Material Declaration](#)

English