

10

9

8

7

5

4

3

2

79576

MATERIAL #	APPLICATION	AWG	LENGTH(M)	TOL(+/-)	PIN OUT
79576-3000	IPASS ON BP	30	0.152	0.015	PIN OUT 1
79576-3001	IPASS ON BP	30	0.3	0.015	PIN OUT 1
79576-3002	IPASS ON BP	30	0.5	0.015	PIN OUT 1
79576-3006	IPASS ON BP	30	0.6	0.015	PIN OUT 1
79576-3007	IPASS ON BP	28	1	0.030	PIN OUT 1
79576-3008	IPASS ON CTRL	30	0.152	0.015	PIN OUT 2
79576-3009	IPASS ON CTRL	30	0.3	0.015	PIN OUT 2
79576-3003	IPASS ON CTRL	30	0.5	0.015	PIN OUT 2
79576-3004	IPASS ON CTRL	30	0.6	0.015	PIN OUT 2
79576-3005	IPASS ON CTRL	28	1	0.030	PIN OUT 2
79576-3010	IPASS ON CTRL	28	0.178	0.015	PIN OUT 2
79576-3011	IPASS ON CTRL	28	0.267	0.015	PIN OUT 2
79576-3012	IPASS ON BP	30	0.2	0.015	PIN OUT 1

NOTES:

1. MATERIAL:

OVER MOLD - POLYBUTYLENE TEREPHTHALATE (PBT), 94-V0,
GLASS FILLED 30%.

LATCH - STAINLESS STEEL ALLOY.

CABLE -

SIGNALS PVC INSULATION

SOLID COPPER SIGNAL AND DRAIN.

INNER DIELECTRIC IS POLYOLEFIN

TWIN-AX SHIELD IS ALUMINIZED POLYESTER FOIL.

PCB - FR4

2. PRODUCT TO PERFORM PER

PRODUCT SPECIFICATION: PS-79536-001.

3. PRODUCT SERIES 74562 MATES TO 75783 (RIGHT ANGLE),
75784 (VERTICAL).4. THIS PRODUCT CONFORMS TO THE MECHANICAL
DIMENSIONING AND ELECTRICAL PERFORMANCE
REQUIREMENTS OF SFF-8086 AND SFF-8087.

5. MINIMUM RECOMMENDED BEND RADIUS 28 MM.

6. PIN OUT CONFORMS TO SAS 1.1 9.00

SECTION 5.2.4.1.3.3 F83

7. PRODUCT IS RoHS COMPLIANT.

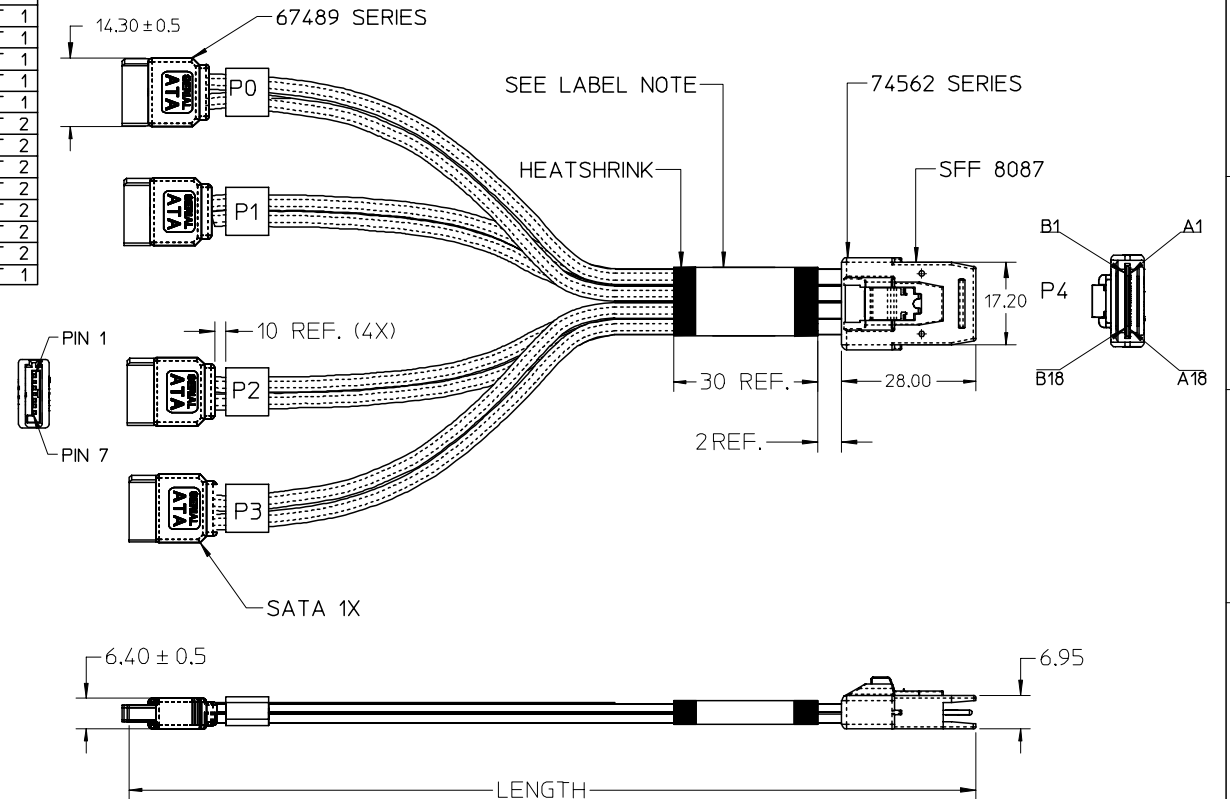
8. LABEL DETAIL:

MOLEX

79576-30XX

MADE IN CHINA

YY/WW



MOLEX
79576-30XX
MADE IN CHINA
YY/WW

IPASS™ IS A TRADEMARK OF MOLEX

ENTER DESCRIPTION EC NO: USY2007-0360 DRWN: SNAVARRO 2007/03/27 CHKD: PSYTSWA 2007/03/28 APPR: DDOYE 2007/03/28	QUALITY SYMBOLS ▽=0 ▽=0	GENERAL TOLERANCES (UNLESS SPECIFIED)		DIMENSION STYLE MM/IN		SCALE 1:1	DESIGN UNITS METRIC	THIRD ANGLE PROJECTION	
		mm	INCH	DRAWN BY JERWIN	DATE 2005/11/21	TITLE IPASS CABLE ASSY 36 CKT TO SATA FANOUT CABLE			
REVISIONS REV	4 PLACES	± ---	± ---	CHECKED BY THALL	DATE 2005/11/21	MATERIAL NO. SEE CHART			
	3 PLACES	± ---	± .01	APPROVED BY DDOYE	DATE 2005/11/21				
	2 PLACES	± 0.25	± ---	DRAFT WHERE APPLICABLE MUST REMAIN WITHIN DIMENSIONS		SHEET NO. 1 OF 3			
	1 PLACE	± ---	± ---	SIZE B					

9

8

7

6

5

4

3

2

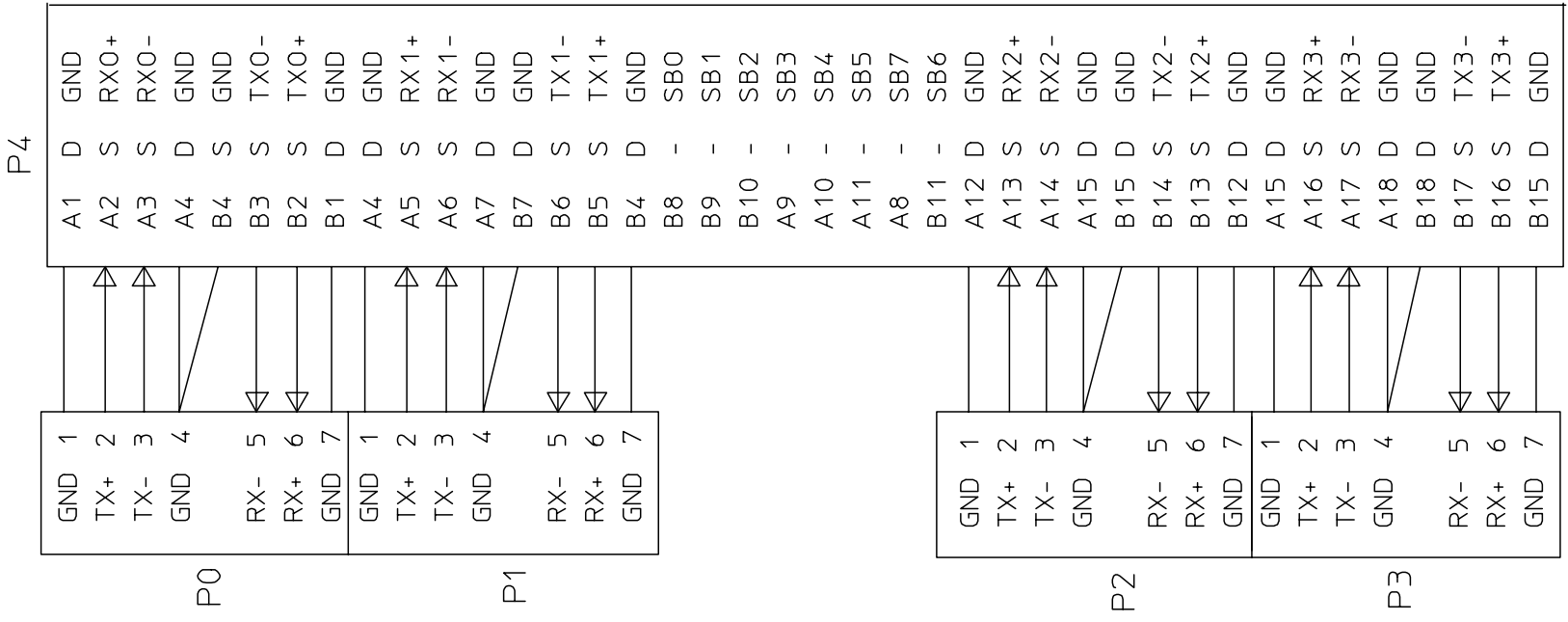
1

6 5 4 3 2 1

NOTE:

1. PIN OUT CONFORMS TO SAS 1.1 09D SECTION 5.2.3.2.3.3 FIG 83 AND SECTION 5.2.3.2.3.3 TBL 27
2. ALL SIGNAL GROUNDS ARE BUSSED IN PCB

PIN OUT 1



IPASS™ IS A TRADEMARK OF MOLEX.

NOTE:

- 1) D = DRAIN WIRE
- S = SIGNAL WIRE

ENTER DESCRIPTION EC NO: USY2007-0360 DRWN: SNAVARRO 2007/03/27 CHKD: PSYTSMA 2007/03/28 APPR: DDOYE 2007/03/28	
REV	DESCRIPTION

QUALITY SYMBOLS	= 0 = 0
-----------------	------------

GENERAL TOLERANCES (UNLESS SPECIFIED)																
	<table border="1"> <tr> <th></th> <th>mm</th> <th>INCH</th> </tr> <tr> <td>4 PLACES</td> <td>± .005</td> <td>± .0004</td> </tr> <tr> <td>3 PLACES</td> <td>± .005</td> <td>± .0004</td> </tr> <tr> <td>2 PLACES</td> <td>± 0.25</td> <td>± .010</td> </tr> <tr> <td>1 PLACE</td> <td>± .005</td> <td>± .0004</td> </tr> </table>		mm	INCH	4 PLACES	± .005	± .0004	3 PLACES	± .005	± .0004	2 PLACES	± 0.25	± .010	1 PLACE	± .005	± .0004
	mm	INCH														
4 PLACES	± .005	± .0004														
3 PLACES	± .005	± .0004														
2 PLACES	± 0.25	± .010														
1 PLACE	± .005	± .0004														
ANGULAR ± 1°																
DRAFT WHERE APPLICABLE MUST REMAIN WITHIN DIMENSIONS																

DIMENSION STYLE		SCALE	DESIGN UNITS	THIRD ANGLE PROJECTION
MM/IN		1:1	METRIC	
DRAWN BY	DATE	TITLE		
JERWIN	2005/11/21			
CHECKED BY	DATE	IPASS CABLE ASSY 36 CKT TO SATA FANOUT CABLE		
THALL	2005/11/21			
APPROVED BY	DATE	MOLEX INCORPORATED		
DDOYE	2005/11/21			
MATERIAL NO.	SEE CHART	DOCUMENT NO.	SD-79576-300	SHEET NO.
SIZE	A	THIS DRAWING CONTAINS INFORMATION THAT IS PROPRIETARY TO MOLEX INCORPORATED AND SHOULD NOT BE USED WITHOUT WRITTEN PERMISSION		2 OF 3

5 4 3 2 1

6

5

4

3

2

1

NOTE:

- 1. NON-STANDARD PIN OUT WITH SATA BACKPLANE CONNECTORS TWISTED
- 2. ALL SIGNAL GROUNDS ARE BUSSED IN PCB.

D

D

C

C

B

B

A

A

PIN OUT 2

P4

A1	A2	A3	A4	B4	B3	B2	B1	A4	A5	A6	A7	B7	B6	B5	B4	B8	B9	B10	A9	A10	A11	A8	B11	A12	A13	A14	A15	B15	B14	B13	B12	A15	A16	A17	A18	B18	B17	B16	B15				
D	S	S	D	S	S	S	D	D	S	S	D	D	S	S	D	-	-	-	-	-	-	-	-	D	S	S	D	D	S	S	D	D	S	S	D	D	S	S	D	D	S	S	D
GND	RX0+	RX0-	GND	GND	TX0-	TX0+	GND	GND	RX1+	RX1-	GND	GND	TX1-	TX1+	GND	SB0	SB1	SB2	SB3	SB4	SB5	SB7	SB6	GND	RX2+	RX2-	GND	GND	TX2-	TX2+	GND	GND	RX3+	RX3-	GND	GND	TX3-	TX3+	GND	GND			

GND	TX+	TX-	GND	RX-	RX+	GND	GND	TX+	TX-	GND	RX-	RX+	GND
7	6	5	4	3	2	1	7	6	5	4	3	2	1
P0													

GND	TX+	TX-	GND	RX-	RX+	GND	GND	TX+	TX-	GND	RX-	RX+	GND
7	6	5	4	3	2	1	7	6	5	4	3	2	1
P2													

P0

P1

P2

P3

IPASS™ IS A TRADEMARK OF MOLEX.

NOTE:

- 1) D = DRAIN WIRE
- S = SIGNAL WIRE

ENTER DESCRIPTION	QUALITY SYMBOLS
EC NO: USY2007-0360	▽=0
DRWN: SNAVARRO 2007/03/27	▽=0
CHKD: PSYTSMA 2007/03/28	
APPR: DDOYE 2007/03/28	
REV	DESCRIPTION

GENERAL TOLERANCES (UNLESS SPECIFIED) 4 PLACES ± --- ± --- 3 PLACES ± --- ± .01 2 PLACES ± 0.25 ± --- 1 PLACE ± --- ± --- ANGULAR ± 1 ° DRAFT WHERE APPLICABLE MUST REMAIN WITHIN DIMENSIONS	DIMENSION STYLE	
	mm	INCH
	DRAWN BY DATE	
	JERWIN 2005/11/21	
	CHECKED BY DATE	
THALL 2005/11/21		
APPROVED BY DATE		
DDOYE 2005/11/21		
MATERIAL NO.		
SEE CHART		

SCALE	DESIGN UNITS	THIRD ANGLE PROJECTION
1:1	METRIC	
TITLE		
IPASS CABLE ASSY 36 CKT TO SATA FANOUT CABLE		
MOLEX INCORPORATED		
DOCUMENT NO.		SHEET NO.
SD-79576-300		3 OF 3
THIS DRAWING CONTAINS INFORMATION THAT IS PROPRIETARY TO MOLEX INCORPORATED AND SHOULD NOT BE USED WITHOUT WRITTEN PERMISSION		

5

4

3

2

1