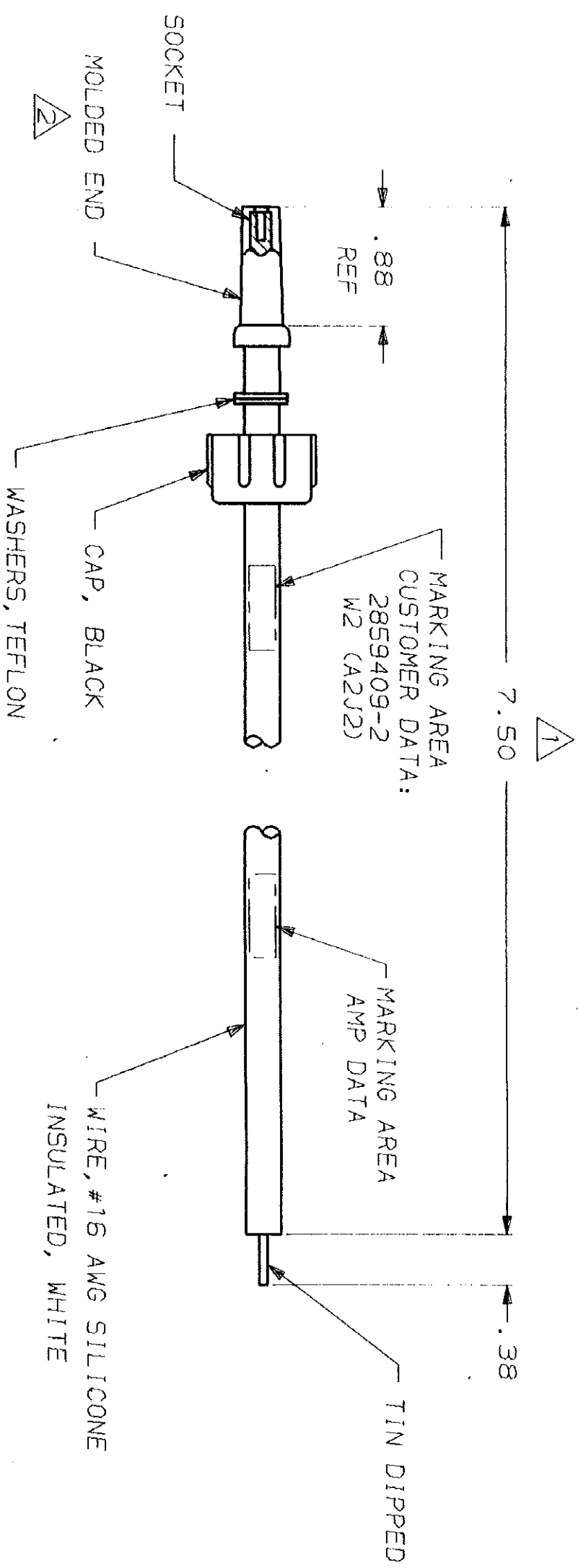


THIS DRAWING IS UNPUBLISHED. RELEASED FOR PUBLICATION  
 © COPYRIGHT 19 BY AMP INCORPORATED, HARRISBURG, PA. ALL INTERNATIONAL RIGHTS RESERVED. AMP PRODUCTS MAY BE COVERED BY U.S. AND FOREIGN PATENTS AND/OR PATENTS PENDING.



- 1. TOLERANCE: 0 TO 24" = ±.12, 24" & UP = ± 1%.
- 2. TO MATE WITH RECEPTACLE PART NO 868754-1.
- 3. MARKED PER MIL-STD-130.
- 4. OPERATING VOLTAGE: 30KVDC, AT SEA LEVEL.
- 5. HIPOT: 45 KVDC, SEA LEVEL, 3 MINUTES; 100%.

LOC		DIST		REVISONS		DATE	APPROVED
L	P	F	ZONE	LTR	DESCRIPTION		
						3-20-86	MFB
				0	RLSE NPR 1684		

868755-1  
PART NO

UNLESS OTHERWISE SPECIFIED DIMENSIONS ARE IN INCHES TOLERANCES ON:		DR	R.N.	3-19-86	NAME		AMP INCORPORATED HARRISBURG, PA. 17105	
2 PL DEC ± .02	3 PL DEC ± .02	CHK			LEAD ASSY,			
ANGLES ±		APPD	M. J. M...	3-20-86	LGH-1			
MATERIAL		PRODUCT SPEC			SIZE	FSCM NO	DRAWING NO	
		APPLICATION SPEC			C	00779	868755	
FINISH		WEIGHT			SCALE	NTS	SHEET	1 OF 1

CUSTOMER DRAWING