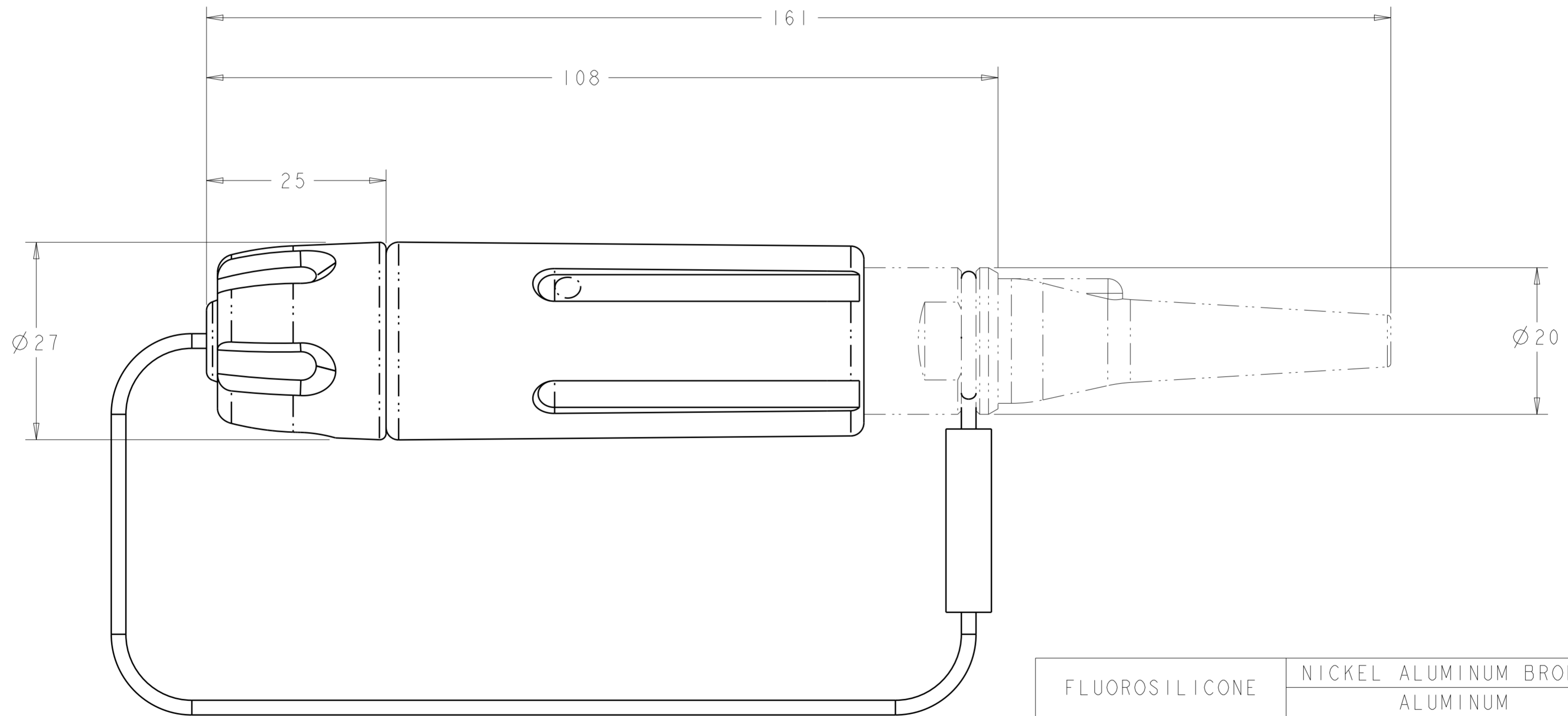


THIS DRAWING IS UNPUBLISHED. RELEASED FOR PUBLICATION 20
 © COPYRIGHT 20 BY - ALL RIGHTS RESERVED.

REVISIONS				
P	LTR	DESCRIPTION	DATE	APVD
	A1	ECR-15-000727	16JAN2015	KG DW

1. ASSEMBLY SHOWN FOR REFERENCE ONLY. SHIPPED LOOSE PIECE AS SHOWN ON PAGE 2.
2. ALL ASSEMBLY DIMENSIONS ARE FOR REFERENCE ONLY.
3. THIS PRODUCT HAS NOT COMPLETED VALIDATION TESTING.
4. COMPLETE THE CONNECTOR ASSEMBLY BY ADDING EACH OF THE FOLLOWING PRO BEAM JR KITS:
 - A. EXPANDED BEAM INSERT ASSEMBLY KIT
 - B. CABLE ADAPTER KIT, SIZED TO THE CABLE JACKET DIAMETER
 - C. FERRULE KIT, ONE PER FIBER



VIEW SHOWN WITH
 CABLE ADAPTER KIT INSTALLED
 AS PHANTOM LINES FOR VISUAL
 AND DIMENSIONAL PURPOSES ONLY

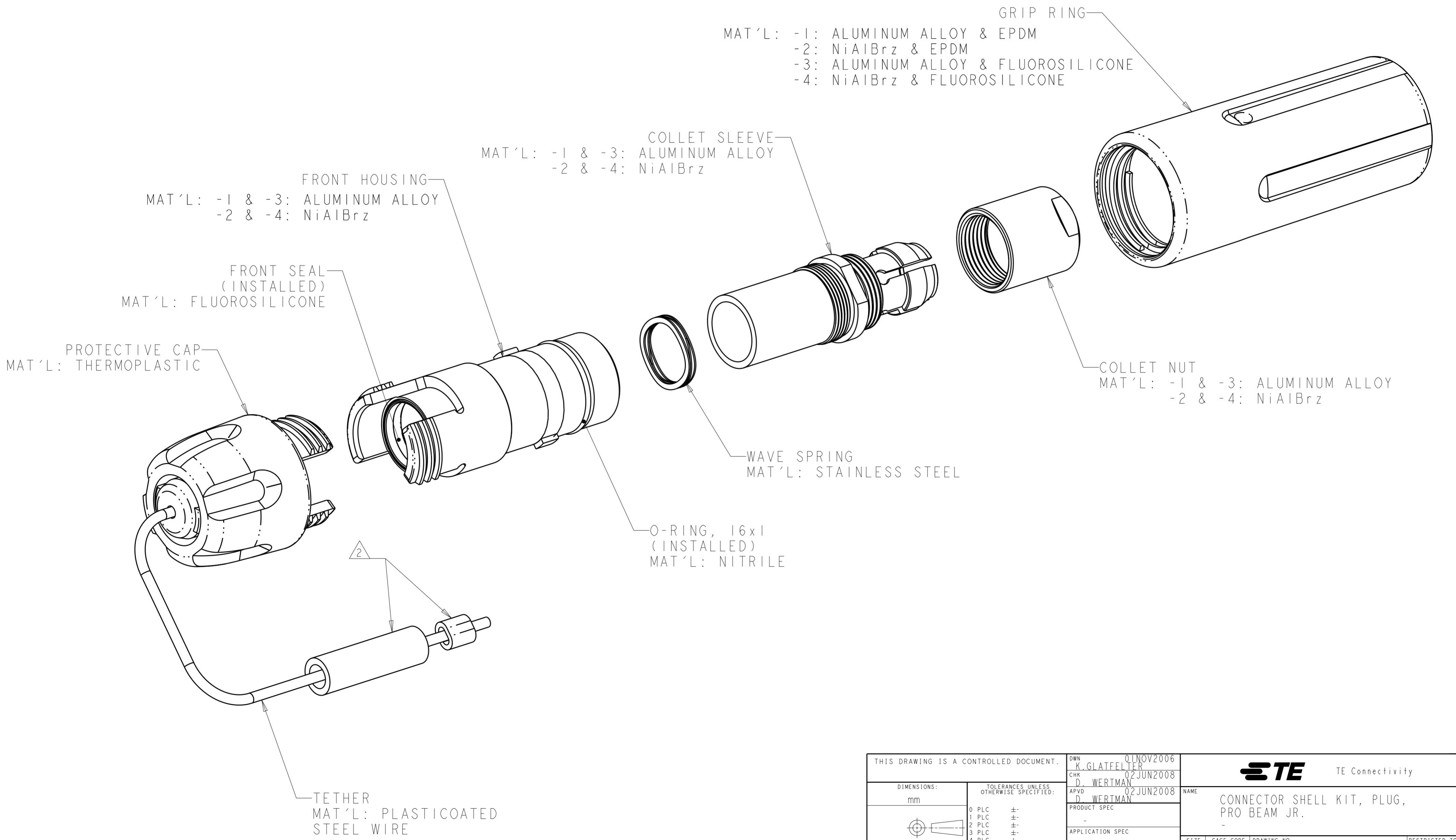
FLUROSILICONE	NICKEL ALUMINUM BRONZE	1918937-4
	ALUMINUM	1918937-3
EPDM	NICKEL ALUMINUM BRONZE	1918937-2
	ALUMINUM	1918937-1
RUBBER GRIP MATERIAL	HOUSING ALLOY	PART NUMBER

THIS DRAWING IS A CONTROLLED DOCUMENT.		DWN K. GLATFELTER 01NOV2006	STE TE Connectivity	
		CHK D. WERTMAN 02JUN2008		
		APVD D. WERTMAN 02JUN2008	NAME CONNECTOR SHELL KIT, PLUG, PRO BEAM JR.	
DIMENSIONS: mm		PRODUCT SPEC -	SIZE A200779	CAGE CODE C-1918937
TOLERANCES UNLESS OTHERWISE SPECIFIED: 0 PLC ± 1 PLC ± 2 PLC ± 3 PLC ± 4 PLC ± ANGLES ± FINISH		APPLICATION SPEC -	RESTRICTED TO -	
MATERIAL - -		WEIGHT -	SCALE 2:1	SHEET 1 OF 2
		Customer Drawing	REV A1	

THIS DRAWING IS UNPUBLISHED. RELEASED FOR PUBLICATION 20
 © COPYRIGHT 20 BY - ALL RIGHTS RESERVED.

REVISIONS				
P	LTR	DESCRIPTION	DATE	APVD
-	-	SEE SHEET 1	-	-

1. SHIPPED LOOSE PIECE AS SHOWN.
 2. TETHER ATTACHING LOOP TO BE COMPLETED ONTO CONNECTOR DURING TERMINATION ASSEMBLY.



MAT'L: -1: ALUMINUM ALLOY & EPDM
 -2: NiAlBrz & EPDM
 -3: ALUMINUM ALLOY & FLUOROSILICONE
 -4: NiAlBrz & FLUOROSILICONE

MAT'L: -1 & -3: ALUMINUM ALLOY
 -2 & -4: NiAlBrz

FRONT HOUSING
 MAT'L: -1 & -3: ALUMINUM ALLOY
 -2 & -4: NiAlBrz

FRONT SEAL (INSTALLED)
 MAT'L: FLUOROSILICONE

PROTECTIVE CAP
 MAT'L: THERMOPLASTIC

O-RING, 16x1 (INSTALLED)
 MAT'L: NITRILE

WAVE SPRING
 MAT'L: STAINLESS STEEL

COLLET NUT
 MAT'L: -1 & -3: ALUMINUM ALLOY
 -2 & -4: NiAlBrz

TETHER
 MAT'L: PLASTICOATED STEEL WIRE

THIS DRAWING IS A CONTROLLED DOCUMENT.		DWN K. GLATFELTER 01NOV2006	STE TE Connectivity	
DIMENSIONS: mm		CHK D. WERTMAN 02JUN2008		
TOLERANCES UNLESS OTHERWISE SPECIFIED: 0 PLC ± 1 PLC ± 2 PLC ± 3 PLC ± 4 PLC ± ANGLES ± FINISH		APVD D. WERTMAN 02JUN2008	NAME CONNECTOR SHELL KIT, PLUG, PRO BEAM JR.	
MATERIAL - - HARD ANODIZE (AL ONLY)		PRODUCT SPEC - APPLICATION SPEC - WEIGHT -	SIZE A200779	DRAWING NO C-1918937
Customer Drawing		SCALE 1:1	SHEET 2 OF 2	REV A1