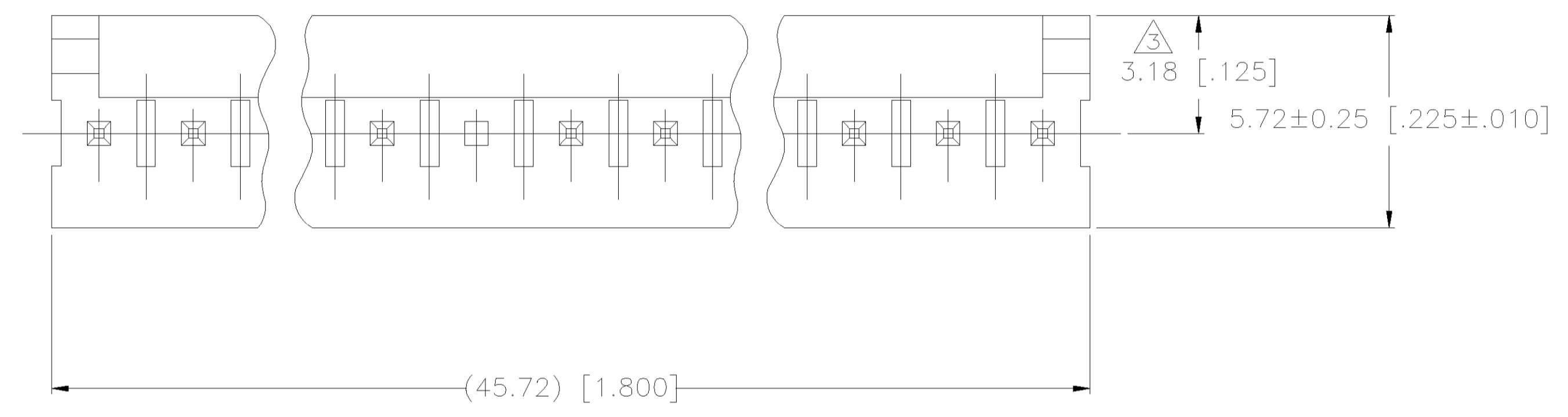
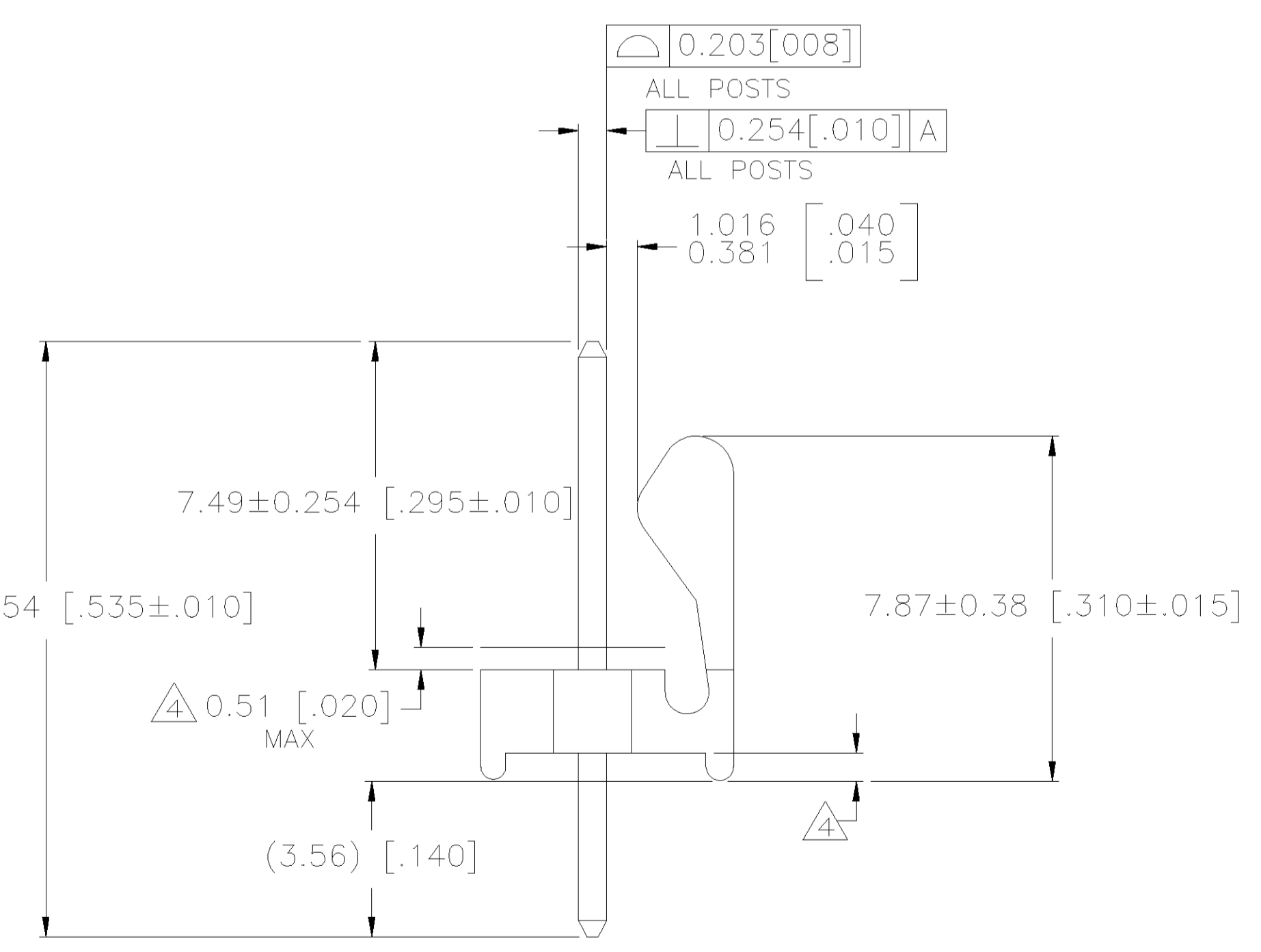
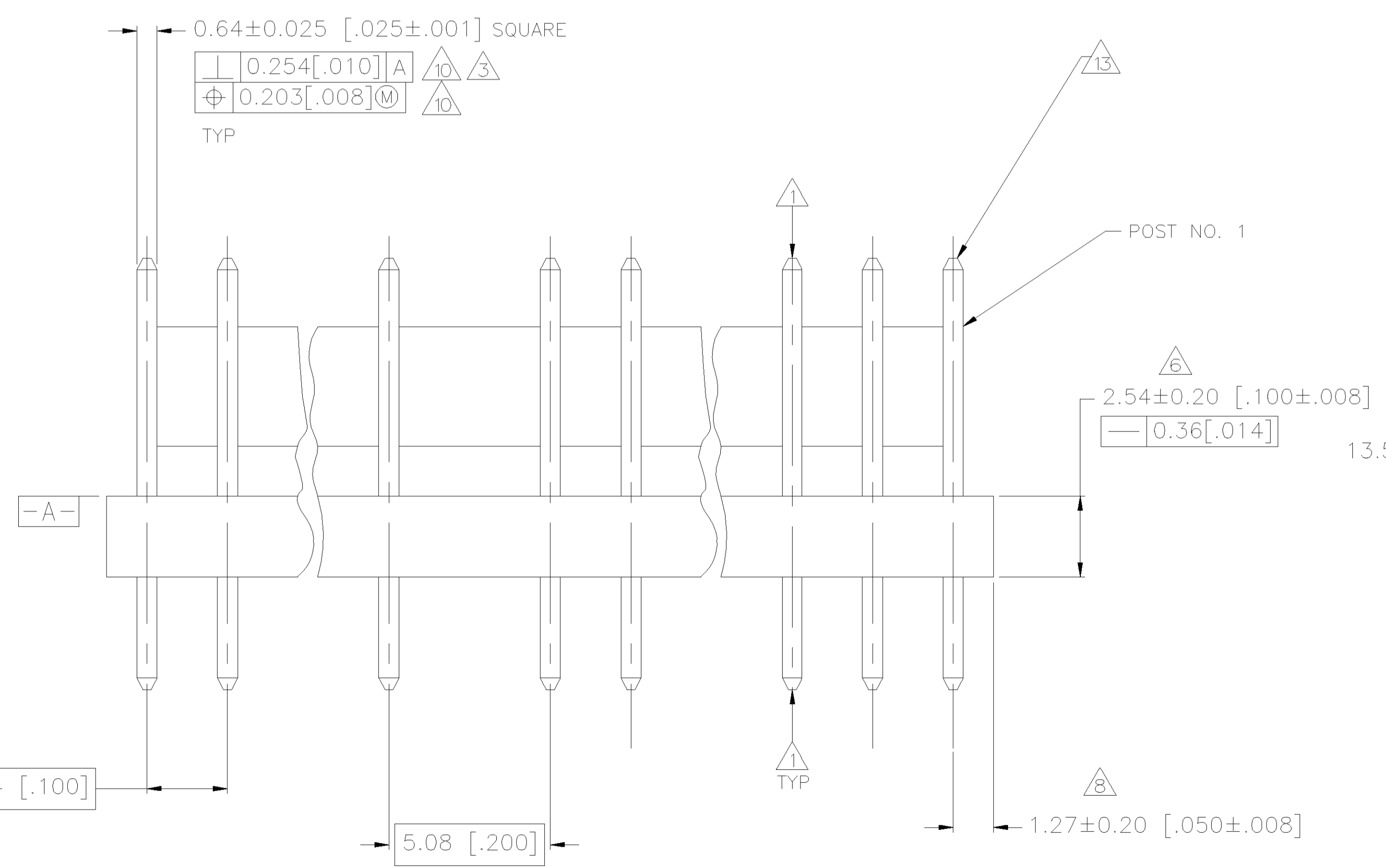


RECOMMENDED MOUNTING HOLE PATTERN FOR 1.60 [.063] THICK P.C. BOARD



- 1. POST TO WITHSTAND 13 NEWTONS [3.0] LBS. MIN. AXIAL FORCE IN BOTH DIRECTIONS SHOWN WITHOUT DISLODGING.
- 2. TOLERANCES APPLY TO SOLDER SIDE OF BOARD.
- 3. MEASURED AT DATUM -A-
- 4. PLASTIC FLASH PERMITTED IN THIS AREA.
- 5. PARTS COMPLY WITH SOLDERABILITY SPEC. NO. 109-11-2.
- 6. ONE HOLE MAY BE UNDERSIZED 0.813-0.889 [.032-.035] DIA. FOR ASSEMBLY RETENTION DURING WAVE SOLDERING.
- 7. MATERIAL: HEADER-THERMOPLASTIC POLYESTER
UL94V-0(NATURAL)
POST-COPPER ALLOY (TIN-PLATED)
- 8. COORDINATE DIMENSION APPLIES FROM CENTER OF ACTUAL FEATURE.
- 9. PLASTIC BURRS CAUSED BY CUT-OFF TOOLING ARE PERMITTED WITHIN THE MAXIMUM TOLERANCE ENVELOPE.
- 10. POSTS TO BE MEASURED WHEN STRIP IS HELD FLAT.
- 11. POSTS MUST WITHSTAND TWO 90° BENDS AGAINST EXTRUSION WITHOUT BREAKING.
- 12. DIMENSION SHOULD BE 3.302 [.130] MIN WHEN MATING WITH A MTA 100 CONNECTOR ASSEMBLY OR A CST 100 CONNECTOR.
- 13. PIN BURR OF 0.127 [.005] MAX. HIGH AND 0.076 [.003] MAX. WIDE PERMITTED AT POST TIPS ON BOTH ENDS.



PART SHOWN 647306-5

9	647306-9
16	647306-8
10	647306-7
5	647306-6
7	647306-5
6	647306-4
4	647306-3
2	647306-2
3	647306-1
POST NUMBER OMITTED	PART NUMBER

THIS DRAWING IS A CONTROLLED DOCUMENT.

DIMENSIONS: MM [INCHES]	TOLERANCES UNLESS OTHERWISE SPECIFIED:	0 PLG ± -	1 PLG ± -	2 PLG ± 0.13[.005]	3 PLG ± -	4 PLG ± -	ANGLES ± 0°30'	FINISH -
-------------------------	--	-----------	-----------	--------------------	-----------	-----------	----------------	----------

OWN: S. HAMM	25-JUL-2001		Tyco Electronics Corporation Harrisburg, PA 17105-3608
CHK: D. BOSSI	25-JUL-2001		
APVD: D. BOSSI	25-JUL-2001	NAME:	ASSEMBLY, MTA-100 HEADER, FRICTION LOCK, NOTCHED, 0.635 [.025] SQUARE STRAIGHT POST, 18 POSITION W/OMITTED POST
APPLICATION SPEC:		SIZE:	A1
WEIGHT:		CAGE CODE:	00779
CUSTOMER DRAWING:		DRAWING NO:	647306
		SCALE:	8:1
		SHEET:	1 OF 1
		REV:	C

