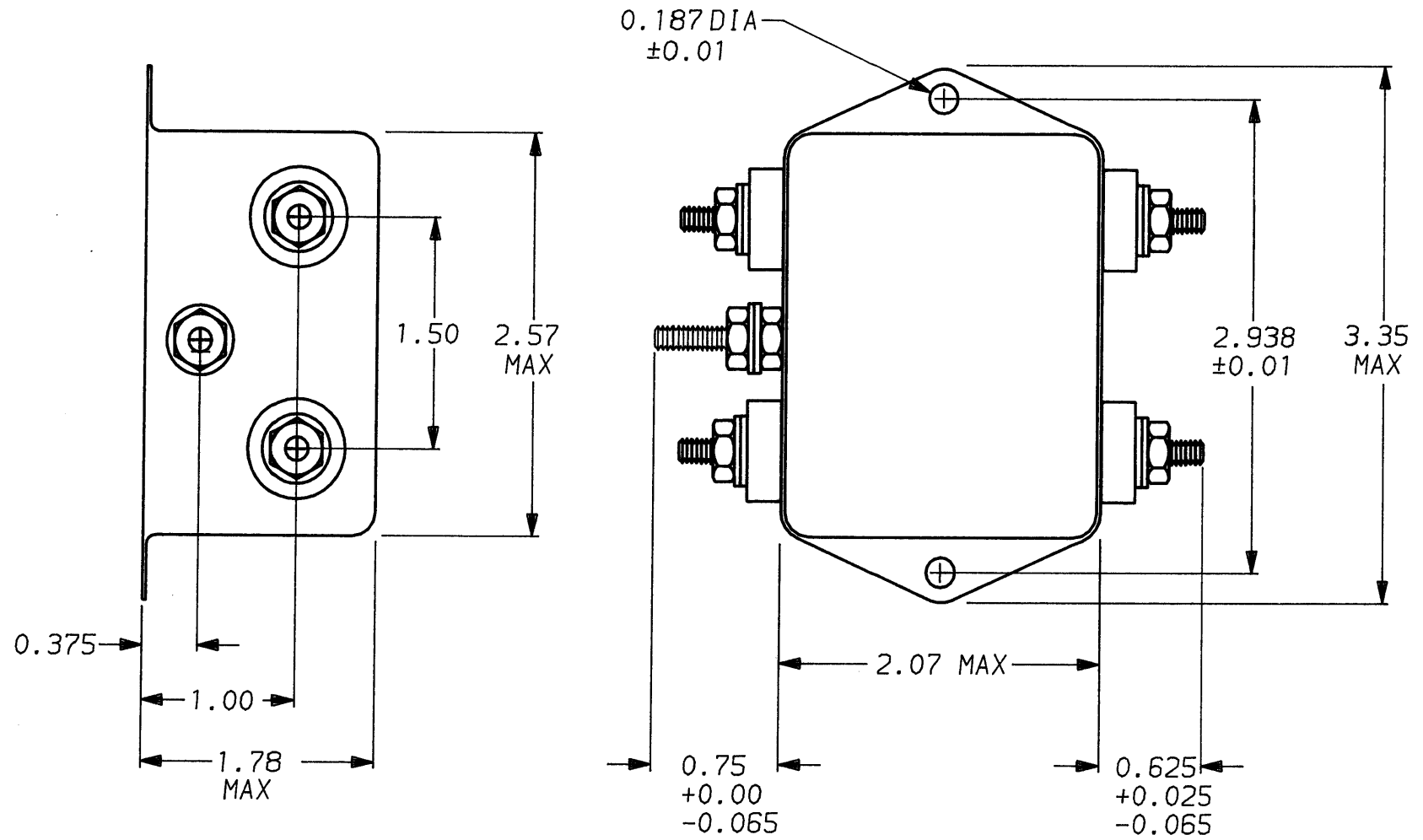


DESCRIPTION	APPROVED BY	DATE	REV
	C. Westbury	11-30-90	0
ECO-09-026495	AEG	10DEC09	1



**SAFETY ORGANIZATION(S):**  
 THIS FILTER HAS BEEN FORMALLY RECOGNIZED, CERTIFIED OR APPROVED BY THE LISTED AGENCY. THEREFORE, ALL TEST/REQUIREMENTS SPECIFIED IN THE LATEST REVISION OF THE FOLLOWING AGENCY STANDARDS HAVE BEEN MET:

UL RECOGNIZED  
 CSA CERTIFIED (PENDING)  
 VDE APPROVED (PENDING)

**OPERATING SPECIFICATIONS:**  
**LINE VOLTAGE/CURRENT:** 20 AMP., 120/250 VAC  
 16 AMP./40°C, 250 VAC  
**LINE FREQUENCY:** 50-60Hz

**MAX. LEAKAGE CURRENT, EACH**  
 LINE TO GROUND .50 mA @ 120V 60 Hz  
 .83 mA @ 250V 50 Hz  
**OPERATING AMBIENT TEMP. RANGE:** -10°C TO +40°C @ RATED CURRENT, I<sub>r</sub>

IN AN AMBIENT, T<sub>a</sub>, HIGHER THAN 40°C, THE MAXIMUM OPERATING CURRENT, I<sub>o</sub>, IS AS FOLLOWS:  

$$I_o = I_r \sqrt{\frac{85 - T_a}{45}}$$

**RELIABILITY SPECIFICATIONS:**  
**STORAGE TEMPERATURE:** -40°C TO +85°C  
**HUMIDITY:** 21 DAYS @ 40°C 95% RH  
**CURRENT OVERLOAD TEST:** 6 TIMES RATED CURRENT FOR 8 SECONDS

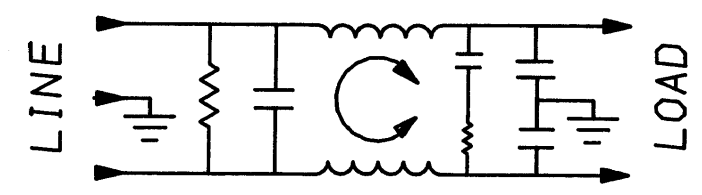
**TEST SPECIFICATIONS:**  
**INDUCTANCE:** .54 mH NOMINAL  
**CAPACITANCE: (MEASURED @ 1 KHz, 0.25 VAC MAX., 25°C ±1°C)**  
 LINE TO GROUND: .0055µF ±20%  
 LINE TO LINE: 1.08µF ±20%  
**DISCHARGE RESISTOR** 330KΩ  
**LINE/GROUND AND LINE/LINE INSULATION RESISTANCE** 6000 MΩ (MIN) AT 100 VDC 20°C AND 50% RH

**1 OBSOLETE PARTS: OBSOLETE CIS STREAMLINING PER D.RENAUD/D.SINISI**

1-1609034-0	OBSOLETE
1-6609034-0	

**RECOMMENDED RECEIVING INSPECTION HIPOT:**  
 LINES TO GROUND: 2250 VDC FOR 1 MINUTE  
 LINE TO LINE: 1450 VDC FOR 1 MINUTE

**FILTER APPROVAL:**  
 THE BEST WAY TO SELECT AND QUALIFY A FILTER IS FOR YOUR ENGINEERING TO TEST THE UNIT IN YOUR EQUIPMENT.



		50Ω - 50Ω (MINIMUM) INSERTION LOSS							
FREQUENCY MHz		.15	.5	1	2	5	10	20	30
COMMON dB		10	23	30	34	39	44	49	55
DIFF. dB		20	43	55	62	65	60	55	55

This document is proprietary to CORCOM INC. and is not to be reproduced nor used for manufacturing purposes except on CORCOM's order or prior written consent.

TOLERANCE EXCEPT AS NOTED  
 DECIMAL: .XXX .XX .X ANGLES ± 1°  
 ENGLISH: ±.025  
 METRIC: ±

MATERIAL: AS SUPPLIED

FINISH: AS SUPPLIED



**POWER LINE FILTER**

SCALE	DATE	DRG. NO.	REV.
NTS	11-5-90	20VDK6.	1
DRW. BY	ORIGINATOR		
CFW	CFW		