



soberton inc.

# SP DYNAMIC SPEAKER UNIT

Acoustic Product Specification

Product Number: SP-1511S-3



Release | Revision: B/2018

## CONTENTS

This document contains the technical specifications for the dynamic speaker unit.

### Page 1

Speaker Electroacoustic Characteristics

General Specifications

### Page 2

Frequency Measuring Circuit (Receiver Mode)

Typical Frequency Response Curve (Speaker Mode)

Test Climatic Conditions

### Page 3

Reliability Tests

### Page 4

Heat Shock Test

Temp. Cycle Test

### Page 5

Dimensions

### Page 6

Packing

## Dynamic Speaker Electroacoustic Characteristics

### Sound Pressure Level

83±3dB SPL @ 2KHz 1.0V(Sine wave) 0.1m measured with baffler shown in Fig.1. (1CC BOX)

### Measuring Diagram

Shown in Fig.1

### Typical Frequency Response Curve

Shown in Fig. 2

### Resonance Frequency

850±20%Hz @ 1Vrms. (In 1CC BOX)

### Input Power (Nominal and Maximum)

Rated Noise Power: 0.7W (In 1CC Box)

Short Term Max Power: 1.0W (In 1CC Box)

### Operation Test

Must be free audible noise (buzzes and rattles)

200 ~ 3400Hz frequency range, input level up to 2.37Vrms (In 1CC BOX)

### Distortion

Less than 10% at 1KHz 1V

## General Specifications

### Operating Temperature Range

-25°C ~ +65°C

### Storage Temperature Range

-40°C ~ +75°C

### AC Impedance

8Ω±15% (@2KHz 1Vrms)

### Dimension

15 x 11 x 4.2 mm

### IP Rating

No rating



soberton inc.

# SP DYNAMIC SPEAKER UNIT

Acoustic Product Specification

Product Number: SP-1511S-3



Release | Revision: B/2018

## CONTENTS

This document contains the technical specifications for the dynamic speaker unit.

### Page 1

Speaker Electroacoustic Characteristics

General Specifications

### Page 2

Frequency Measuring Circuit (Receiver Mode)

Typical Frequency Response Curve (Speaker Mode)

Test Climatic Conditions

### Page 3

Reliability Tests

### Page 4

Heat Shock Test

Temp. Cycle Test

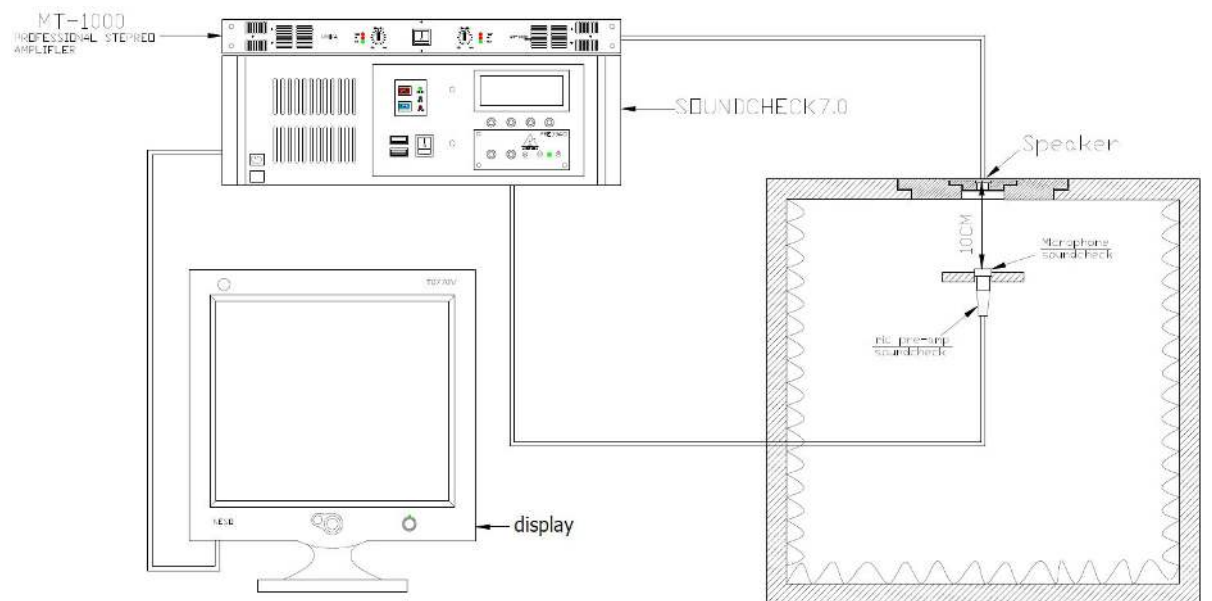
### Page 5

Dimensions

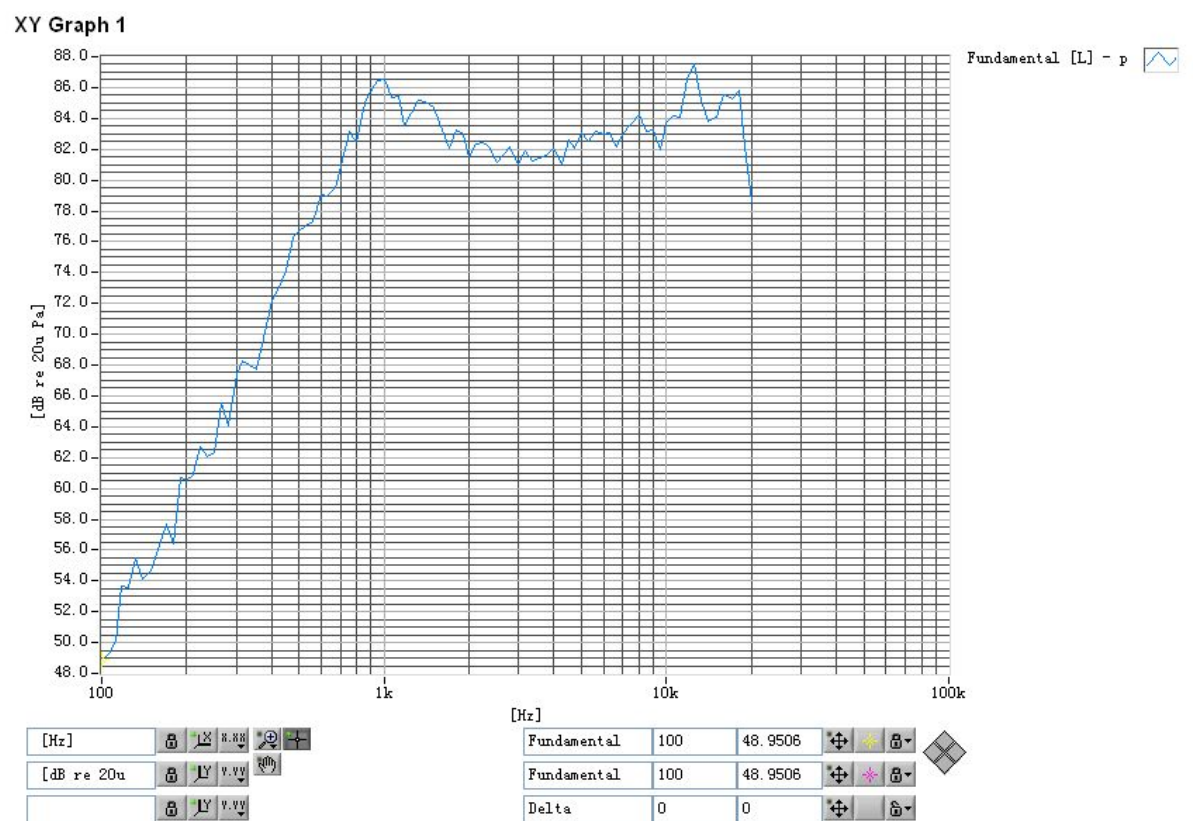
### Page 6

Packing

## Frequency Measuring Circuit - Receiver Mode (Fig. 1)



## Typical Frequency Response Curve - Speaker Mode (Fig. 2)



## TEST CLIMATIC CONDITIONS

### Standard Test Condition

Temperature 17 ~ 25°C

Relative humidity 45% ~ 80%

Atmospheric pressure 860~1060 hPa



soberton inc.

## SP DYNAMIC SPEAKER UNIT

Acoustic Product Specification

Product Number: SP-1511S-3



Release | Revision: B/2018

### CONTENTS

This document contains the technical specifications for the dynamic speaker unit.

#### Page 1

Speaker Electroacoustic Characteristics

General Specifications

#### Page 2

Frequency Measuring Circuit (Receiver Mode)

Typical Frequency Response Curve (Speaker Mode)

Test Climatic Conditions

#### Page 3

Reliability Tests

#### Page 4

Heat Shock Test

Temp. Cycle Test

#### Page 5

Dimensions

#### Page 6

Packing

## Reliability Tests

The sound pressure as specified will neither deviate more than  $\pm 3\text{dB}$  from the initial value, nor have any significant damage after any of following testing.

### High Temperature Test

High Temperature  $+75\pm 2^\circ\text{C}$

Duration 96 hours

### Low Temperature Test

Low Temperature  $-25\pm 2^\circ\text{C}$

Duration 96 hours

### Heat Shock Test (See in Fig. 3)

High Temperature  $+75\pm 2^\circ\text{C}$

Low Temperature  $-40\pm 2^\circ\text{C}$

Changeover Time  $< 30$  seconds

Duration 1 hour

Cycle 10

### Humidity Test

Temperature  $+40\pm 2^\circ\text{C}$

Relative Humidity 90%~95%

Duration 48 hours

### Temperature Cycle Test (See in Fig. 4)

Temperature  $-40^\circ\text{C}$   $+75^\circ\text{C}$

Duration 45 minutes 45 minutes

Temperature gradient  $1\sim 3^\circ\text{C}/\text{min}$

Cycle 10

### Drop Test

Mounted with dummy set mass 100 g

Height 1.5 m

Cycle 6 (1 each plain) onto the concrete board

### Load Test

Speaker mode: White noise (EIA filter) for 96 hours @ 0.7W (1CC BOX) (2.37Vrms)



soberton inc.

# SP DYNAMIC SPEAKER UNIT

Acoustic Product Specification

Product Number: SP-1511S-3



Release | Revision: B/2018

## CONTENTS

This document contains the technical specifications for the dynamic speaker unit.

### Page 1

Speaker Electroacoustic Characteristics

General Specifications

### Page 2

Frequency Measuring Circuit (Receiver Mode)

Typical Frequency Response Curve (Speaker Mode)

Test Climatic Conditions

### Page 3

Reliability Tests

### Page 4

Heat Shock Test

Temp. Cycle Test

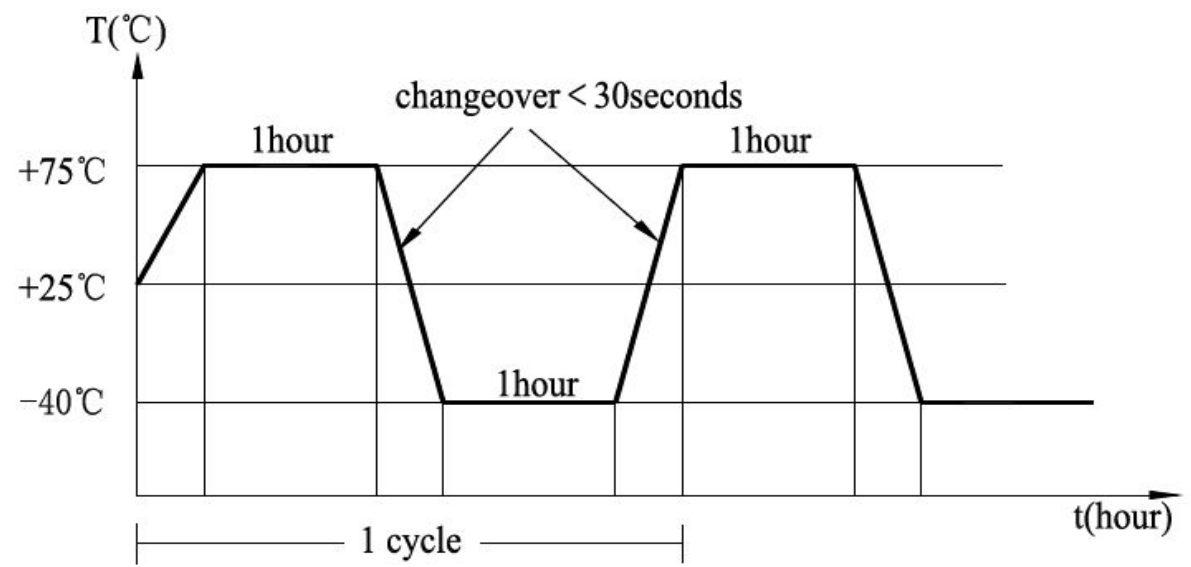
### Page 5

Dimensions

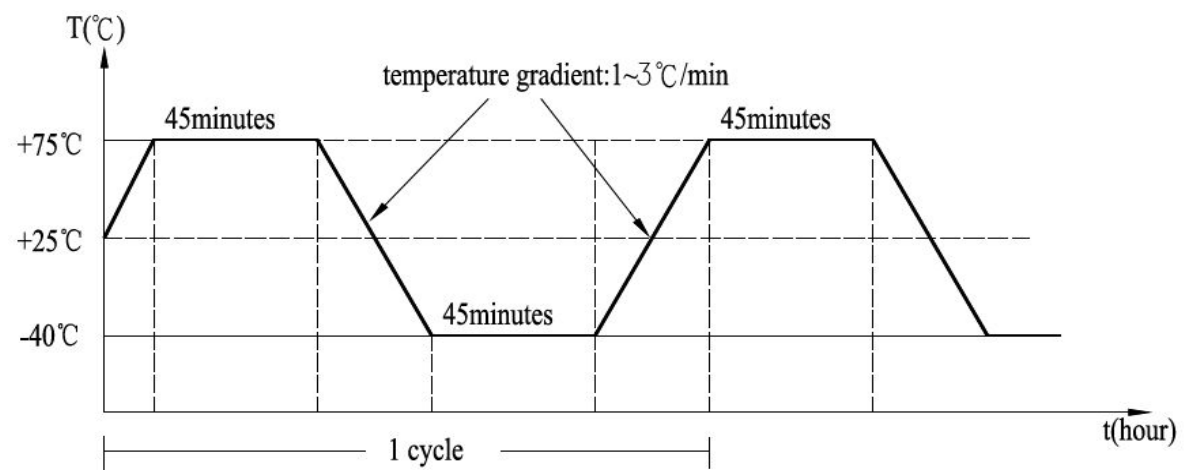
### Page 6

Packing

## Heat Shock Test (Fig. 3)



## Temp. Cycle Test (Fig. 4)





soberton inc.

# SP DYNAMIC SPEAKER UNIT

Acoustic Product Specification

Product Number: SP-1511S-3



Release | Revision: B/2018

## CONTENTS

This document contains the technical specifications for the dynamic speaker unit.

### Page 1

Speaker Electroacoustic Characteristics

General Specifications

### Page 2

Frequency Measuring Circuit (Receiver Mode)

Typical Frequency Response Curve (Speaker Mode)

Test Climatic Conditions

### Page 3

Reliability Tests

### Page 4

Heat Shock Test

Temp. Cycle Test

### Page 5

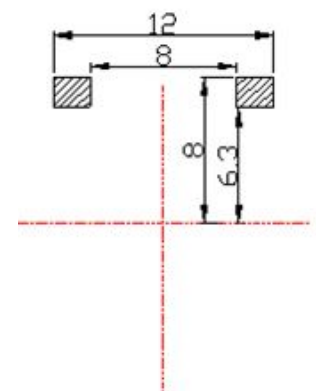
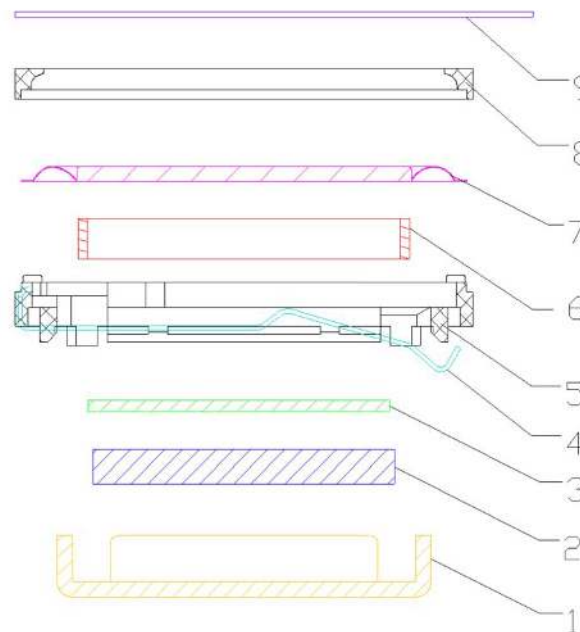
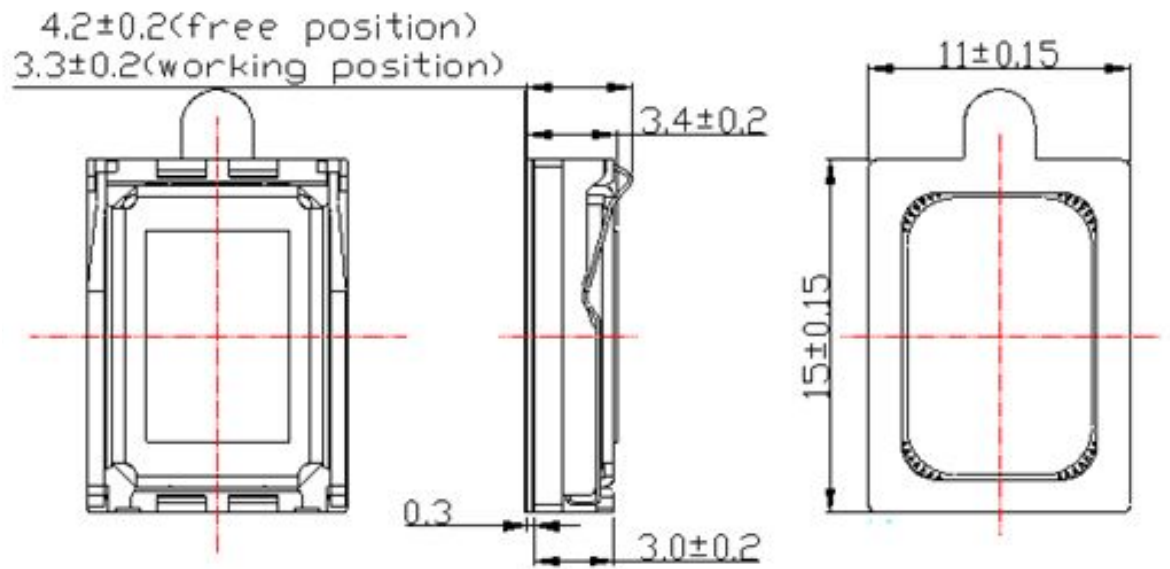
Dimensions

### Page 6

Packing

## Dimensions

Tolerance:  $\pm 0.5$  (unit: mm)



Pad Layout

No.	Part Name	Material	Quantity
1	Yoke	Iron	1
2	Magnet	Nd Fe B	1
3	Plate	Iron	1
4	Spring Terminal	SUS	2
5	Frame	PPA	1
6	Voice Coil	Copper	1
7	Diaphragm	PEEK	1
8	Cap	PPA	1
9	PAD	PE	1



soberton inc.

# SP DYNAMIC SPEAKER UNIT

Acoustic Product Specification

Product Number: SP-1511S-3



Release | Revision: B/2018

## CONTENTS

This document contains the technical specifications for the dynamic speaker unit.

### Page 1

Speaker Electroacoustic Characteristics

General Specifications

### Page 2

Frequency Measuring Circuit (Receiver Mode)

Typical Frequency Response Curve (Speaker Mode)

Test Climatic Conditions

### Page 3

Reliability Tests

### Page 4

Heat Shock Test

Temp. Cycle Test

### Page 5

Dimensions

### Page 6

Packing

## Packing

